

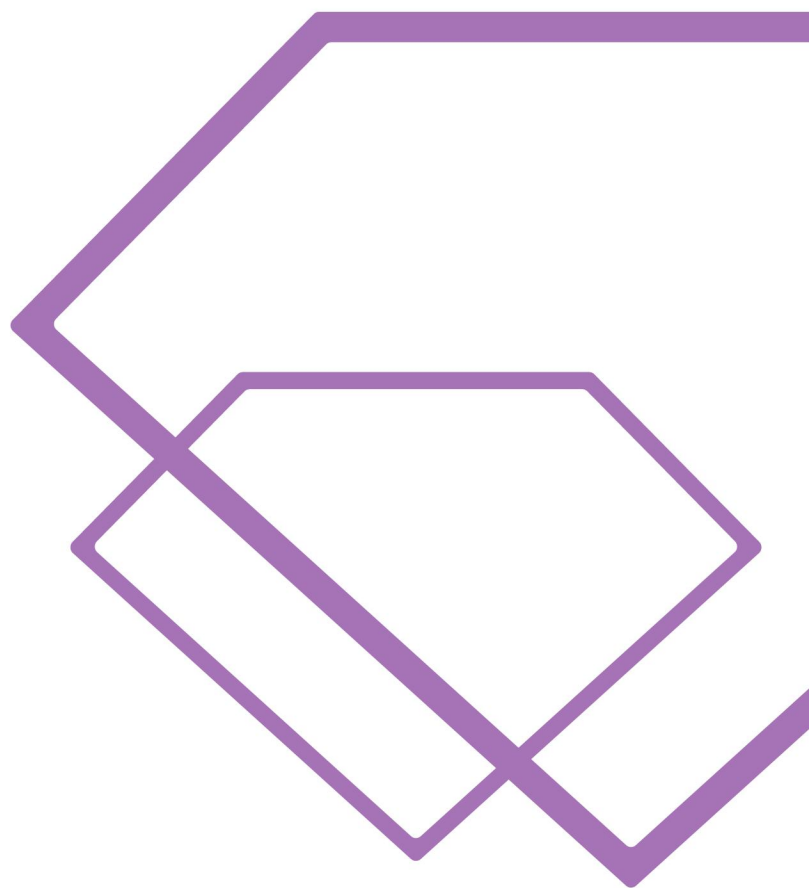
新一代智能缝纫机

THE NEW GENERATION OF INTELLIGENT SEWING MACHINE

HIKARI® 富山

零件手册

PARTS BOOK



HAT-K5C 系列  
Series

自动焊接橡筋机

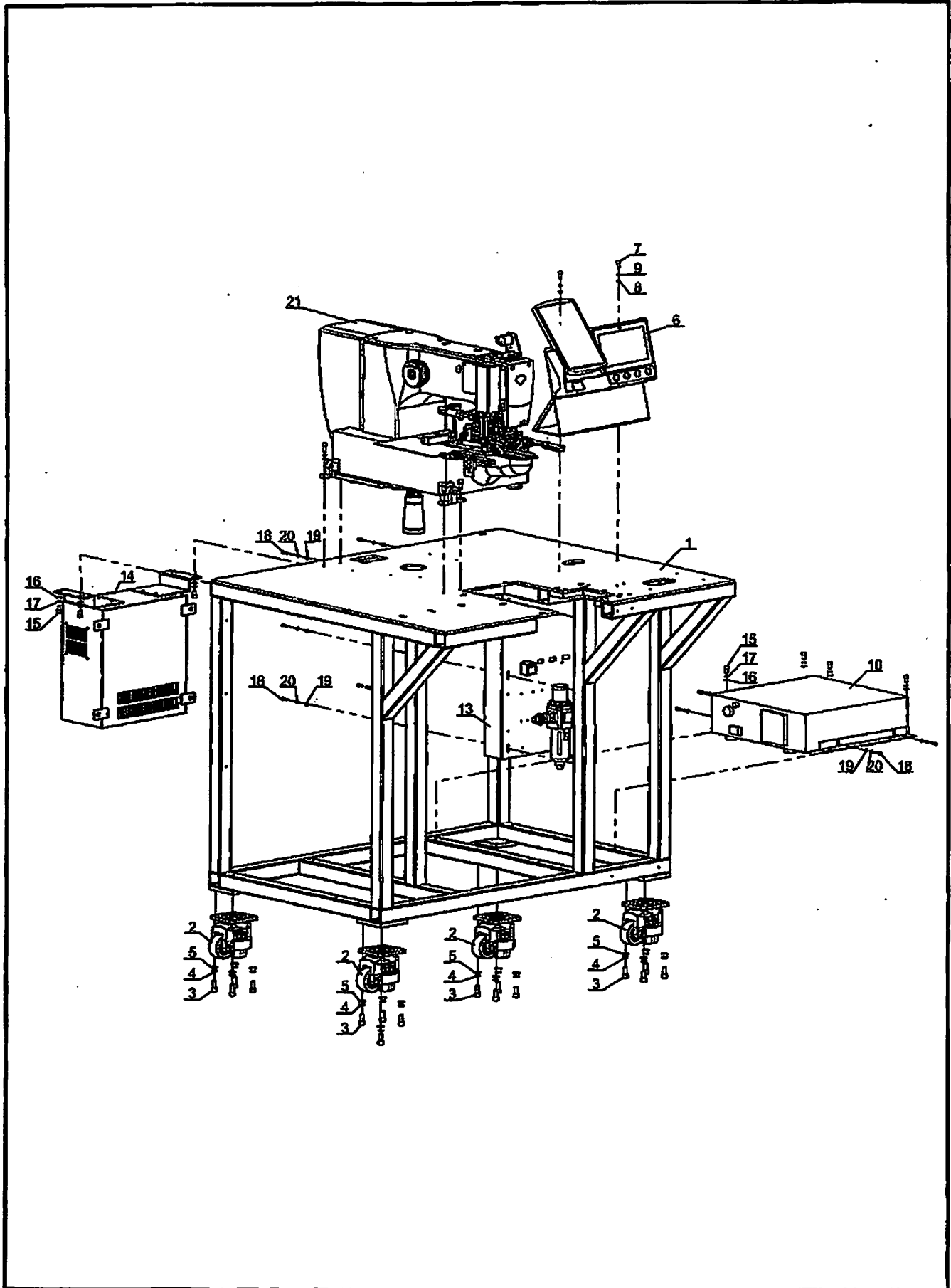
AUTO WELDING RUBBER BAND MACHINE

V1.00

# CONTENTS

1 .Frame component.....	1
2 Weld clamping device.....	10
3. Pushing mechanism.....	14
4. Ultrasonic components.....	18
5. Feeding length counting component.....	20
6. Material receiving section.....	27
7. Ironing section.....	29
8. Belt feeding wheel assembly.....	36
9. Length counting stopper device.....	37

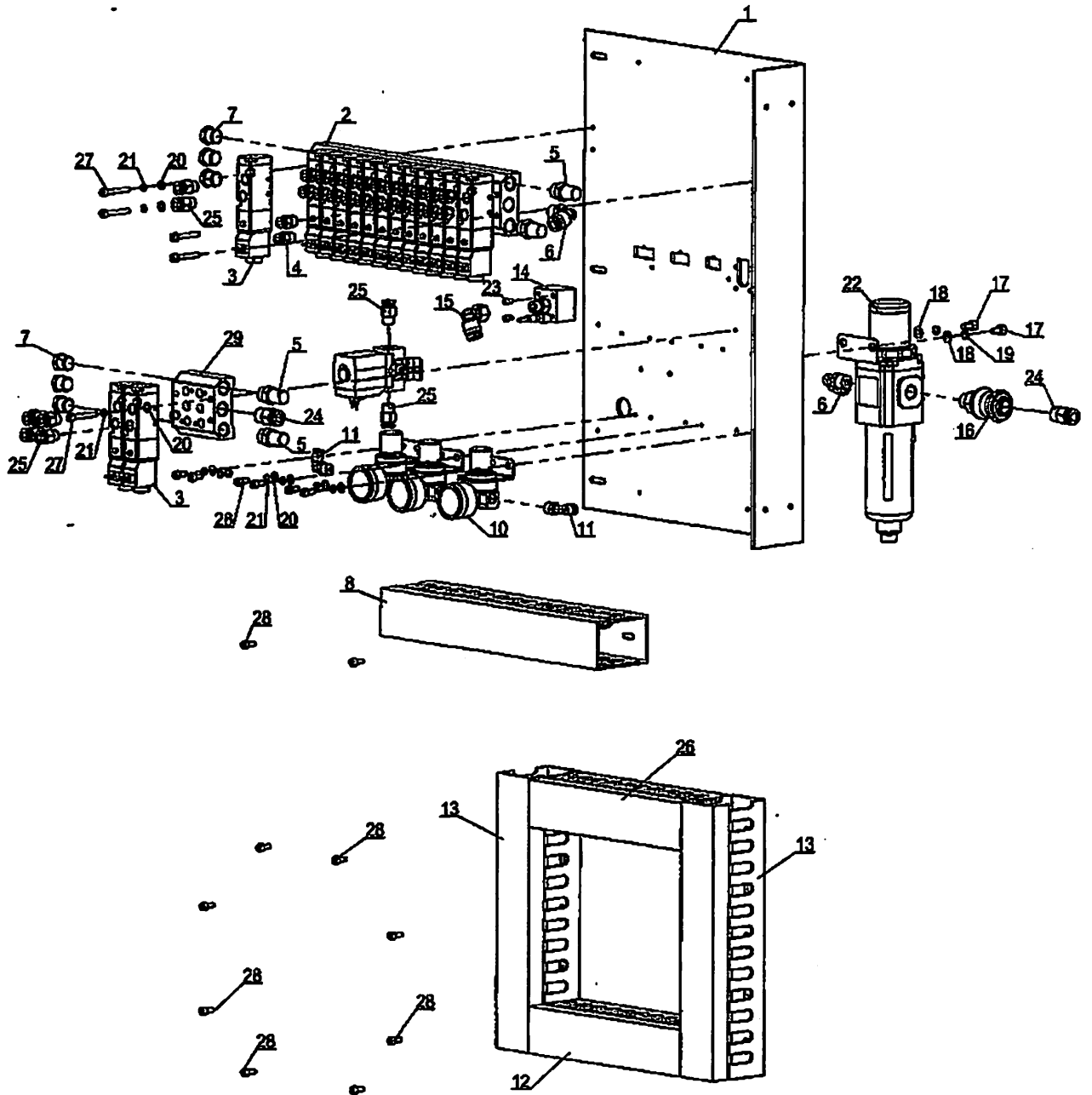
# Rack components



## Rack components

SN.	Drawing No.	Name	NAME OF PARTS	Qty.
1	515.21-01-00B	Frame component		1
2	L08-90900815-JC	Footmaster caster GD-80F		4
3	01-508002024-3	Hexagon socket head cap screws M8x		16
4	07-0812121-6	Elastic washer 8..2. 2.1		16
5	05-081201553-5	Flat gasket 8.1x2.0x15.5		16
6		Display component		1
7	01-505001224-3	Hexagon socket head cap screws M5		2
8	05-053101000-3	Flat washer 5.3x1x10		2
9	07-0521313-6	Spring washer 5.2x1.3x1.3		2
10	30051349	[Ultrasonic generator] UW20-1A		1
11	515.24-05	Ultrasonic front mount		1
12	515.24-06	Ultrasonic rear mount		1
13		Solenoid valve mounting component		1
14		Second-generation main control		1
15	01-506001824-3	Hexagon socket head cap screws		12
16	05-064161200-6	Flat gasket 6.4x1.6x12		12
17	07-0631616-1	Elastic washer 6.3x1.6x1.6		8
18	01-504001224-3	Hexagon socket head cap screws		10
19	05-042030900-6	Flat washer 4.2x0.3xg		10
20	07-0421111-6	Elastic washer 4.2x1.1x1.1		10
21		1010 head component		1
22	07-0631616-6	Elastic washer 6.3x1.6x1.6		4

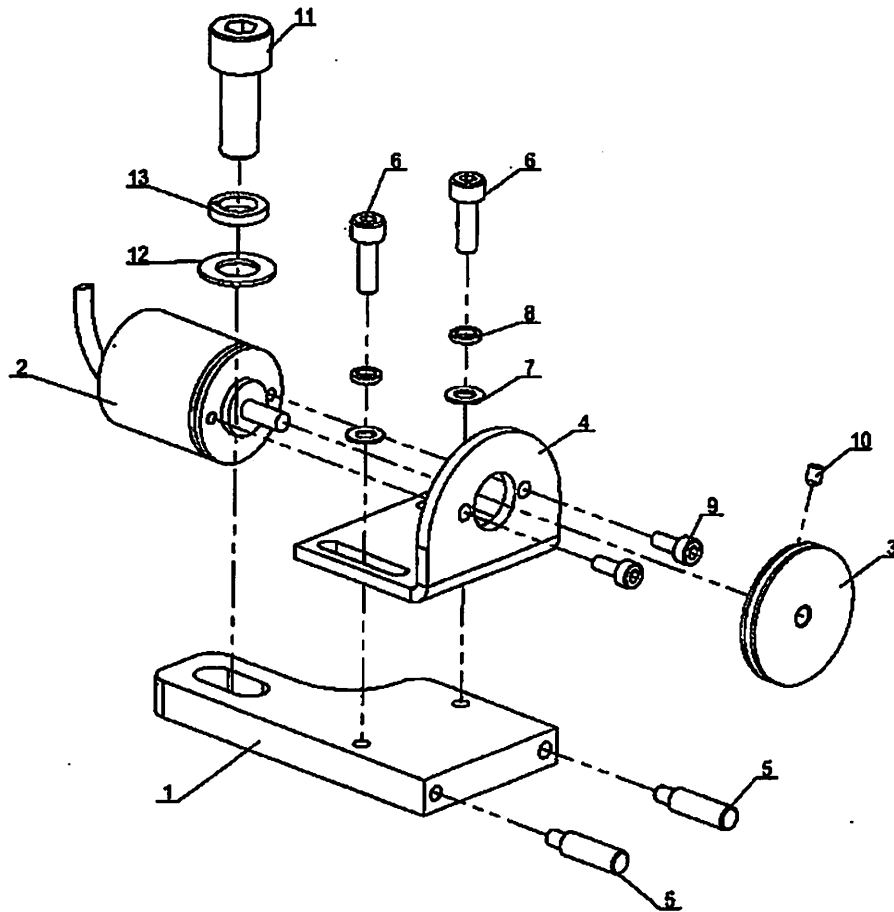
# Electronic control mounting component



## Electronic control mounting component

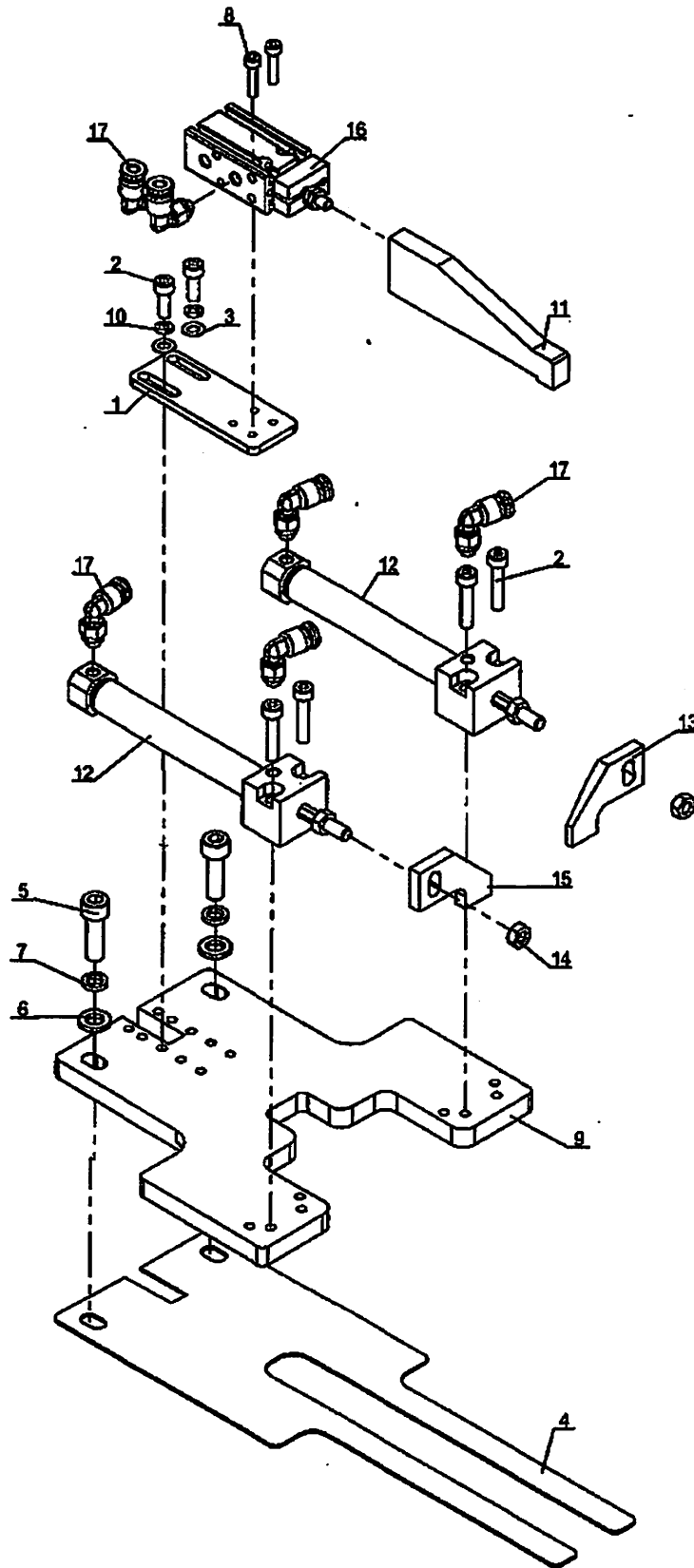
SN.	Drawing No.	NAME OF PARTS	Qty.
1	515.21-02B	Solenoid valve mounting plate	1
2	100M13F	Solenoid valve base	1
3	5V11006B	SOV	15
4	PC401	Pipe joint	24
5	BSLM02	Muffler	4
6	PL802	Quick connector	2
7	BZ02	Outer hexagon plug	6
8		Through slot (0.3 meters)	1
9	2W03006B	[Pilot solenoid valve]	1
10	SDR100061	AirTAC pressure regulating valve	3
11	PL401	L threaded bi-pass joint -	6
12		Through slot (0.21 meters)	1
13		Through slot (0.26 meters)	2
14	DPSN1-10020	Digital pressure switch	1
15	PLF801	Internal thread elbow	1
16	30049904	Hand slide valve HSV08	1
17	01-505001024-3	Hexagon socket head cap screws	2
18	05-053101000-3	Flat washer 5.3x1x10	2
19	07-0521313-6	Spring washer 5.2x1.3x1.3	2
20	05-042030900-6	Flat washer 4.2x0.3x9	14
21	07-0421111-6	Elastic washer 4.2x1.1x1.1	14
22	GFR30008AFI	Pressure regulating filter AirTAC	1
23	01-503000624-3	Hexagon socket head cap screws M3x6	2
24	BPC802	Pipe joint	2
25	PC601	Pipe joint	8
26		Through slot (0.21 meters)	1
27	01-504003024-3	Hexagon socket head cap screws	6
28	01-504001024-3	Hexagon socket head cap screws	18
29	100M2F	Solenoid valve base	1

# Bottom line detection device



SN.	Drawing No.	NAME OF PARTS	Qty.
1	515.20-17	Base	1
2	30015930	Encoder E6A2CW5C	1
3	515.20-15	Thread crossing pulley	1
4	515.20-16	Thread crossing rack	1
5	515.20-18	Thread guide post	2
6	01-504001224-3	Hexagon socket head cap screws	2
7	05-042030900-6	Flat washer 4.2x0.3x9	2
8	07-0421111-6	Elastic washer 4.2x1.1x1.1	2
9	01-503000824-3	Hexagon socket head cap screws	2
10	01-803000414-1	Hexagon socket cap head set screw	1
11	01-508002024-3	Hexagon socket head cap screws	1
12	05-084161600-3	Flat gasket 8.5x1x14	1
13	07-0812121-6	Elastic washer 8.1x2.1x2.1	1

Sewing component

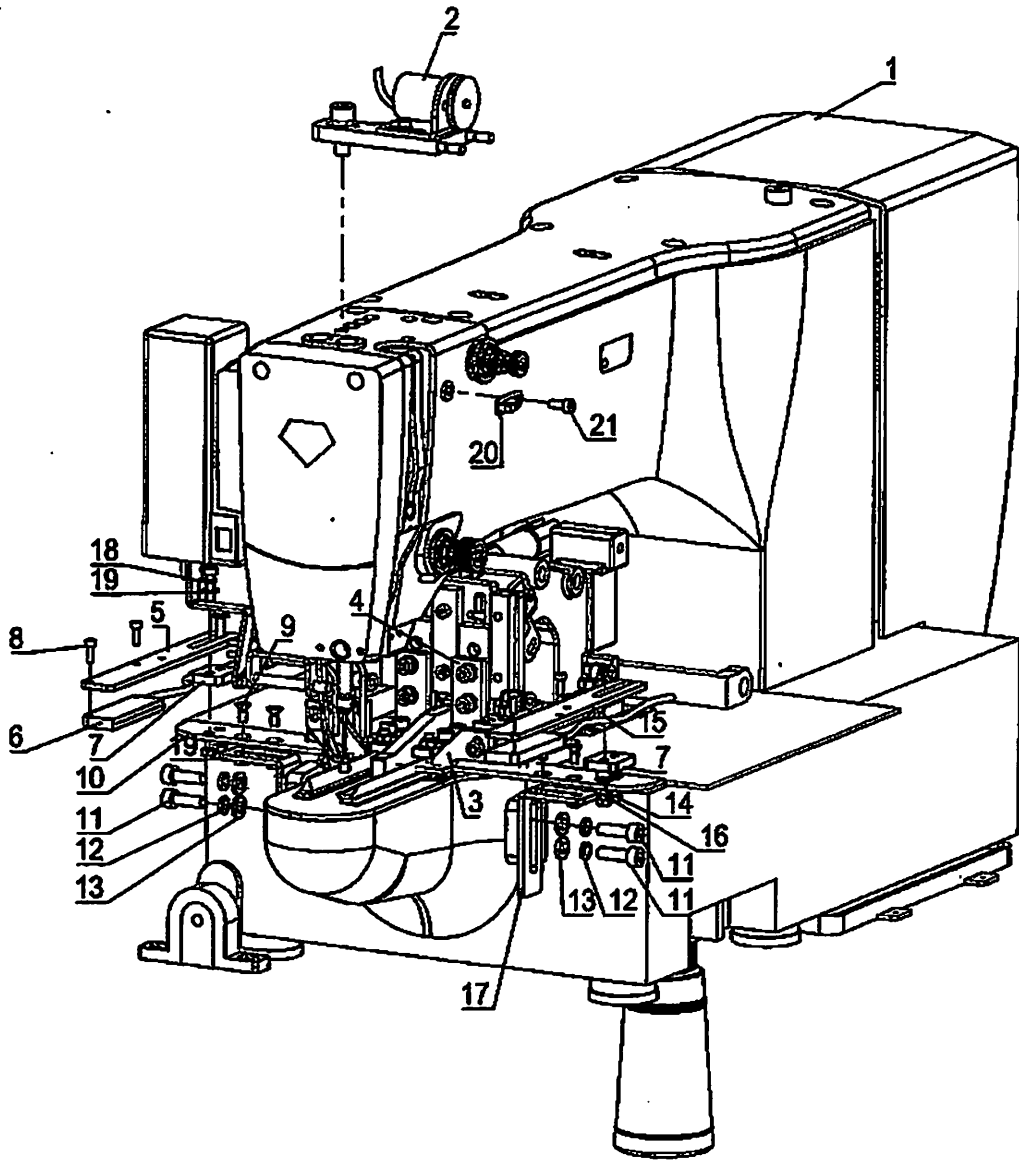




Sewing component

SN.	Drawing No.	NAME OF PARTS	Qty.
1	515.10-38	Cylinder base plate	1
2	01-504002024-3	Hexagon socket head cap screws	6
3	05-042030900-6	Flat washer 4.2x0.3x9	2
4	515.20-14	Frame lower plate	1
5	01-506002024-3	Hexagon socket head cap screws	2
6	05-064161200-6	Flat gasket 6.4x1.6x12	2
7	07-0631616-1	Elastic washer 6.3x1.6x1.6	2
8	01-503001424-3	Hexagon socket head cap screws	2
9	515.10-35	Pusher fixing plate	1
10	07-0421111-6	Elastic washer 4.2x1.1x1.1	2
11	515.10-11	Top block	1
12	PBRK12x60U-SJ3347C	Cylinder	2
13	515.20-01	Right push block	1
14	03-605000500-4	Hex nut M5	2
15	515.20-02	Left push block	1
16	MK10x5	Cylinder	1
17	PL4M5	Pipe joint	6

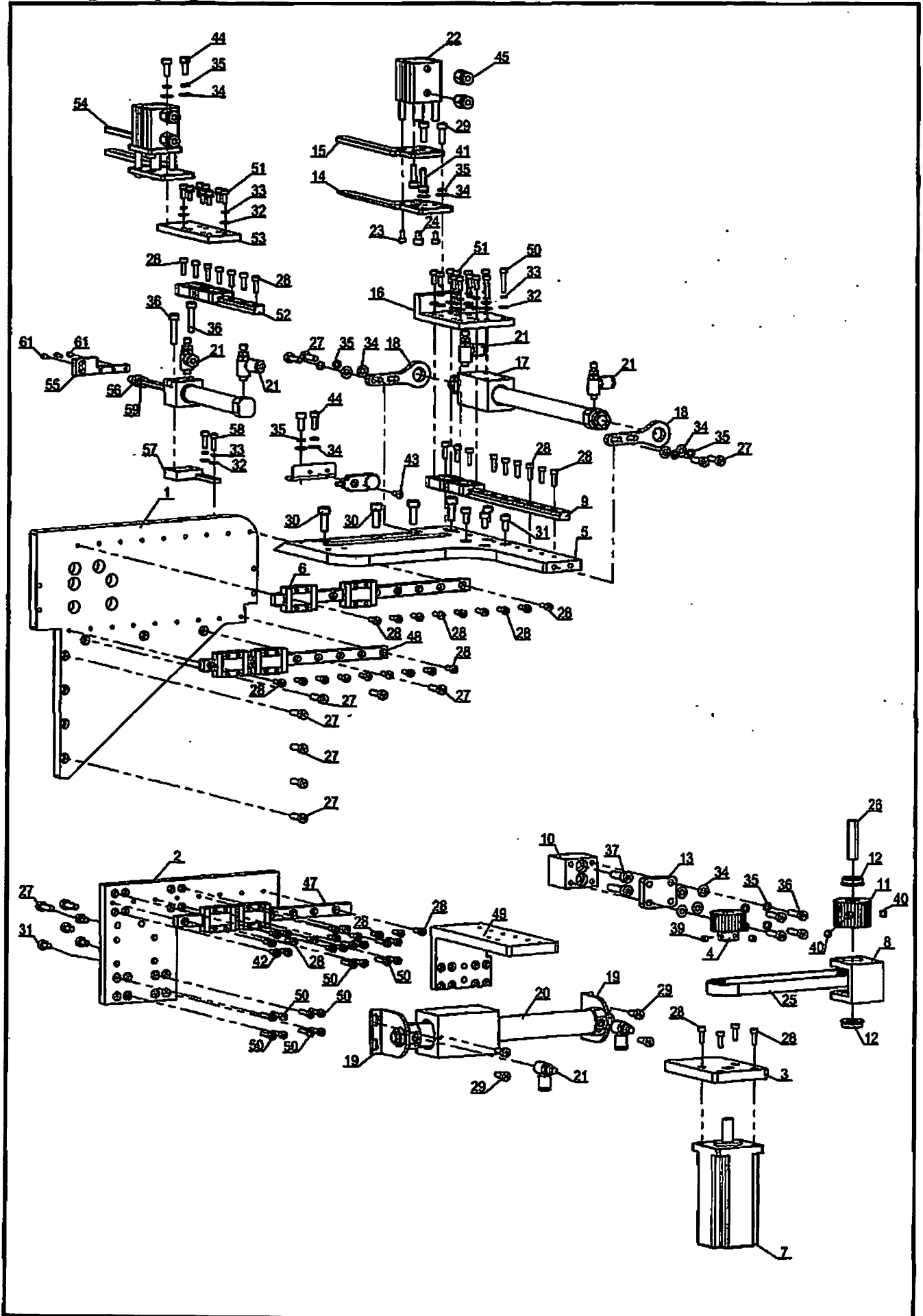
1010 Head assembly



### 1010 Head assembly

SN.	Drawing No.	NAME OF PARTS	Qty.
1	20002550	1010 head	1
2		Bottom line detection device	1
3		Sewing platen structure	1
4		Presser foot lifter	1
5	515.20-11	Pad 2	1
6	30051156	Through-beam photo electric sensor	1
7	515.20-07	Spacer 1	2
8	01-503001024-3	Hexagon socket head cap screws	4
9	01-104001022-4	Cross recessed countersunk head	4
10	515.20-13	Baffle	1
11	01-506001824-3	Hexagon socket head cap screws	4
12	07-0631616-6	Spring washer 6.3x1.6x1.6	4
13	05-064161200-6	Flat gasket 6.4x1.6x12	4
14	03-604000300-6	Hex nut M4x3	4
15	515.20-08	Pad 1	1
16	01-504001624-3	Hexagon socket slotted cheese-head	4
17	515.20-06	Connecting plate 2	1
18	07-0421111-6	Spring washer 4.2x1.1x1.1	4
19	05-043080900-6	[Flat gasket] 3.2x 0.5x 7	4
20	101.01-25	Right thread hook	1
21	01-504001024-3	Hexagon socket slotted cheese-head	1

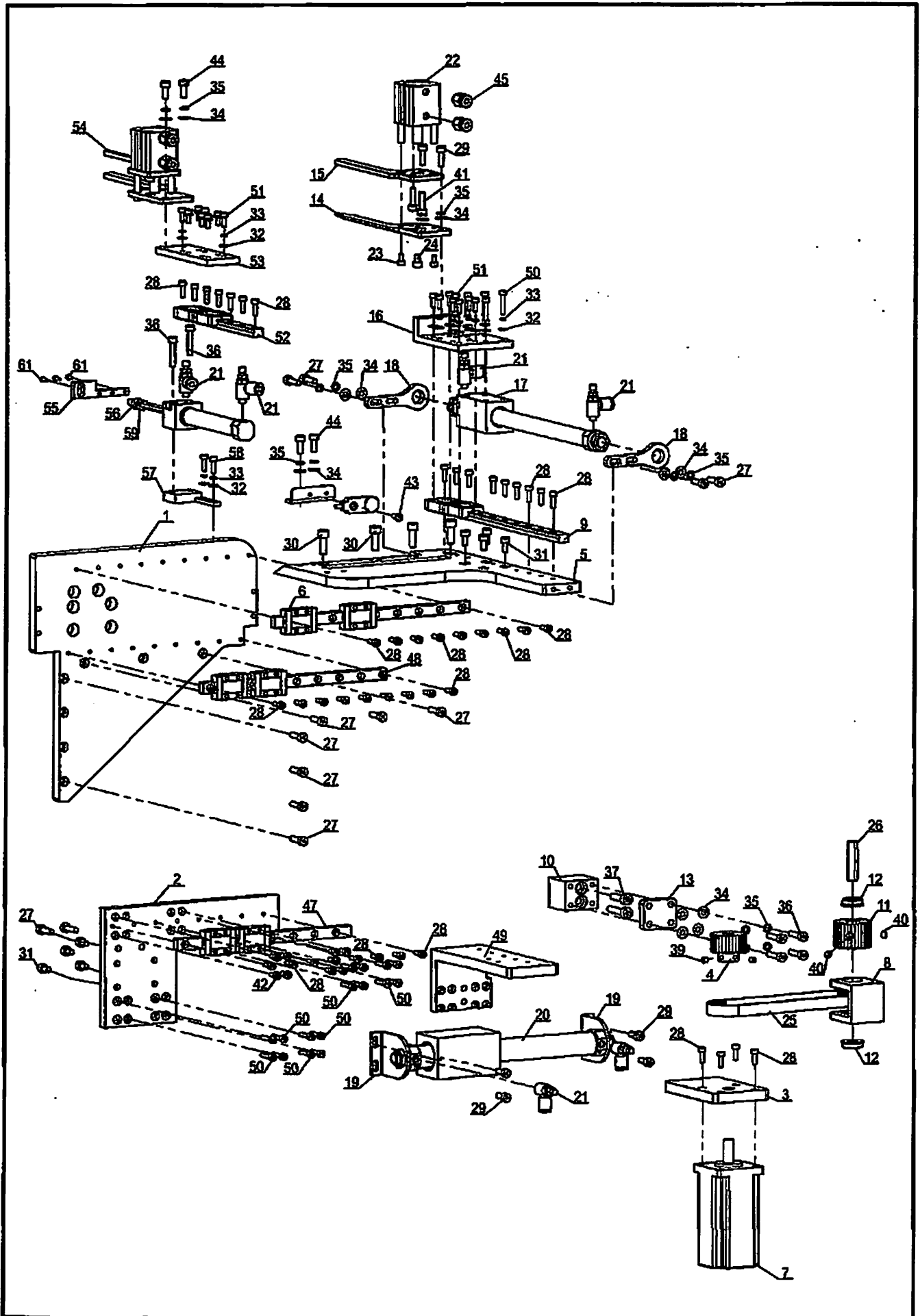
# Welding clamping device



## Welding clamping device

SN.	Drawing No.	NAME OF PARTS	Qty.
1	515.29-10	Movable brace	1
2	515.29-01	Brace sliding plate	1
3	515.29-23	Left- right sliding motor base	1
4	515.25-33	Driven pulley (P30-HTD-3M)	1
5	515.29-22	Left- right sliding plate	1
6	515.29-50	Motor slide	1
7	515.29-43	Feed rail component (MGN9C-161)	1
8	515.29-20	Left- right driven pulley seats	1
9	515.29-26-00	Feed rail component	1
10	515.29-06	Belt clamp spacer	1
11	515.23-23	Driven pull pulley	1
12	14-F688-2Z	Bearing F688	2
13	515.29-03	Pull synchronous belt press plate	1
14	515.29-11	Right fixing clamp (80mm)	1
15	515.29-13	Right movable clamp (80mm)	1
16	515.29-12	Right fixing clamp sliding plate	1
17	RMS10x150	AirTAC cylinder	1
18	515.29-08	Cylinder pedestal	2
19	515.29-07	Cylinder support	2
20	RMS16x100	AirTAC cylinder	1
21	515.29-24-00	Feed rail component	1
22	515.29-44	Feed rail component (MGN9C-170)	1
23	30038908	PSL4M5A [speed control valve]	6
24	30051639	TACQ16x15-SJ-3357A cylinder	1
25	01-503000624-3	Hexagon socket head cap screws	2
26	01-504000624-6	Hexagon socket head cap screws	1
27	515.29-09	Feeding timing belt (HTD-3M)	1
28	515.29-25	Driven axle	1
29	01-504001624-3	Hexagon socket head cap screws	13
30	01-503001024-3	Hexagon socket head cap screws	46
31	01-504001224-3	Hexagon socket head cap screws	6
32	01-503001624-3	Hexagon socket head cap screws	20
33	01-505001424-3	Hexagon socket head cap screws	4
34	01-504000824-3	Hexagon socket head cap screws	8
35	01-503000824-3	Hexagon socket head cap screws	16
36	05-032050700-4	Flat washer 3.2x0.5x7	22
37	07-0310808-3	Elastic washer 3.1x0.8x0.8	22
38	05-043080900-3	Flat gasket 4.3x0.8x9	14
39	07-0421111-6	Elastic washer 4.2x1.1x1.1	14
40	01-504002024-3	Hexagon socket head cap screws	6
41	01-505002024-3	Hexagon socket head cap screws	1
42	01-505002524-3	Hexagon socket head cap screws	1
43	01-804000414-1	Hexagon socket cap head set screw	2
44	01-805000414-1	Hexagon socket cap head set screw	2
45	01-504001424-3	Hexagon socket head cap screws	2
46	01-503000824-3	Hexagon socket head cap screw M3 x	8
47	331.18-07	M5 gas pipe connector	2
48	17SSM6423	Stepper motor	1
49	01-303000822-6	Cross recessed button head screw	1
50	01-504001024-3	Hexagon socket head cap screws	4
51	515.29-47-00	Feed rail component (MGN9C-130)	1
52	515.29-48	Right fixing clamp sliding plate	1

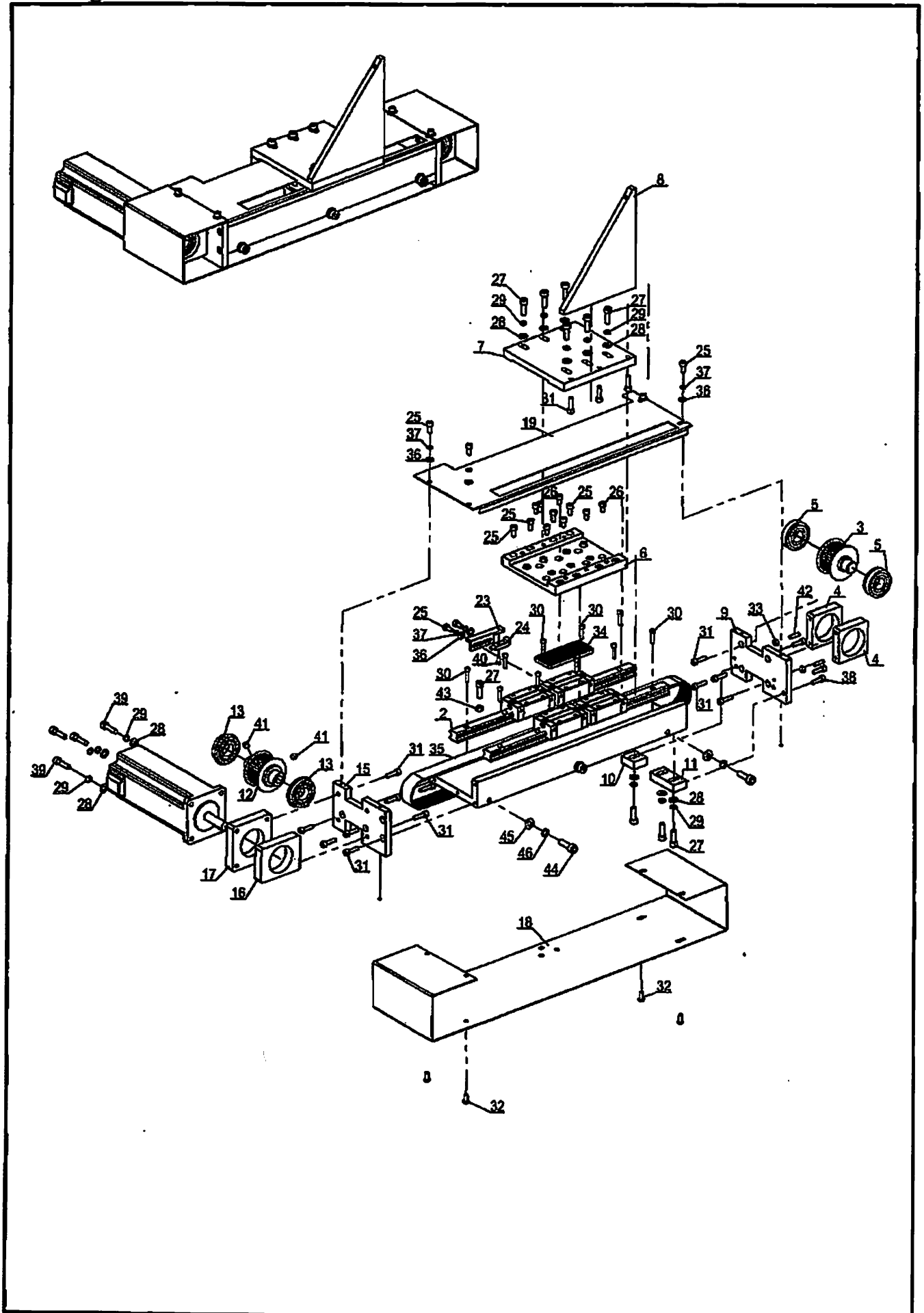
# Welding clamping device



### Welding clamping device

SN.	Drawing No.		NAME OF PARTS	Qty.
53			Rotary clamp cylinder component	1
54			Cylinder roof 2	1
55	PBRK12X60U-		Cylinder	1
56	Flying 49		Left clamping cylinder base	1
57	01-503001024-3		Hexagon socket head cap screws	2
58	03-605000320-6		Hex nut M5x3.2	1
59	515.29-45		Sensor bracket	1
60	30054271		Proximity sensor TEN12-04N.	1
61	01-502000624-3		Hexagon socket head cap screws	3

# Pushing mechanism

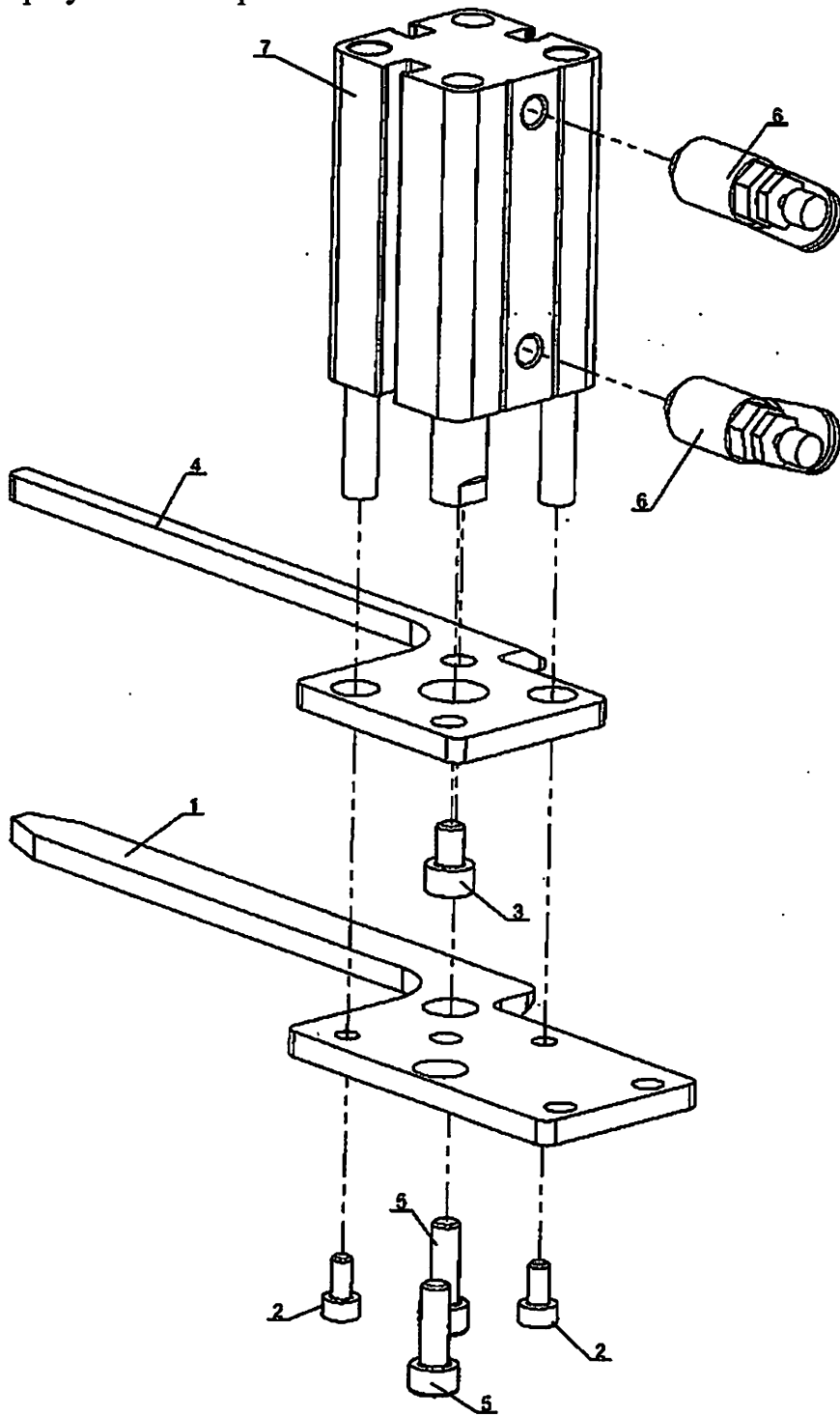




## Pushing mechanism

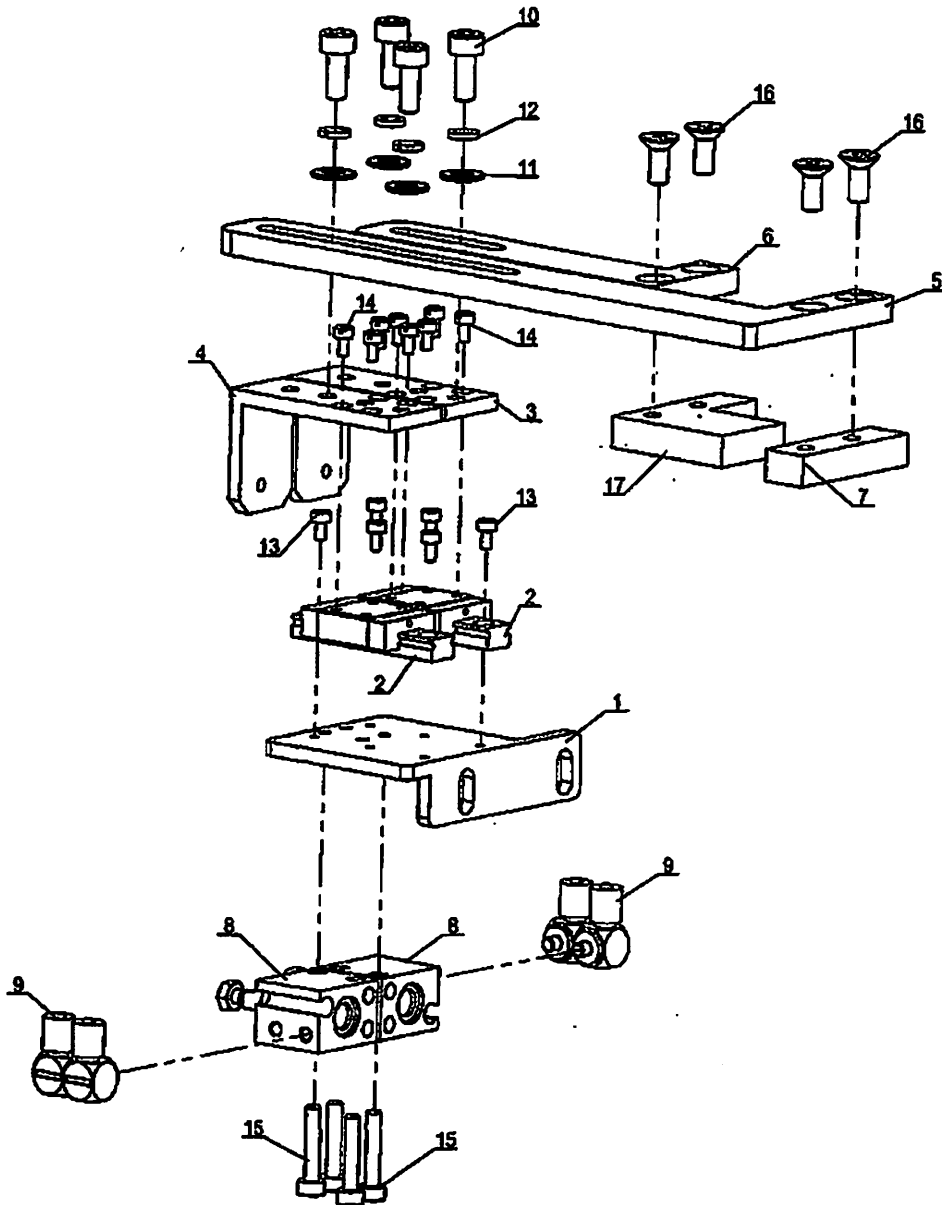
SN.	Drawing No.	NAME OF PARTS	Qty.
1	515.22-33	Guide rail mounting plate	1
2	515.22-62-00	Feed rail component EGH15CA	2
3	515.12-08	Driven pulley (P40-HTD-3M)	1
4	515.22-39	Rear bearing chock	2
5	14-6202-2Z/1	Bearing	2
6	515.22-40	Sliding plate	1
7	515.22-44	Adjusting block	1
8	515.22-08	Reinforcing rib 1	1
9	515.22-34	Left plate of guide rail	1
10	515.22-36	Top seat	1
11	515.22-37	Top seat 2	1 -
12	515.12-07	Driving pulley (P40-HTD-3M)	1
13	14-6003-2RZNR	Bearing	2
14	30047154	Stepper motor (60BYG-127 4 10J3)	1
15	515.22-49	Right plate of guide rail	1
16	515.22-42	Front bearing chock	1
17	515.22-35	Motor base	1
18	515.22-38B	Rear cover	1
19	515.22-43B	Upper cover	1
20	30044472	[Drag chain] J15BF.1.30N	1
21	515.22-22	Drag chain seat 1	1
22	515.22-23	Drag chain holder 2	1
23	515.22-47	Sensor bracket	1
24	30028701	[Proximity sensor] GX-F8A	1
25	01-504001024-3	Hexagon socket head cap screws	18
26	01-504000824-3	Hexagon socket head cap screws	14
27	01-505001624-3	Hexagon socket head cap screws	10
28	05-053101000-3	Flat washer 5.3x1x10	13
29	07-0521313-6	Spring washer 5.2x1.3 x1.3	13
30	01-503001624-3	Hexagon socket head cap screws	10
31	01-504001624-3	Hexagon socket head cap screws	15
32	01-304001022-3	Hexagon socket cheese head screw	4
33	03-604000300-6	Hex nut M4x3.2	2
34	515.22-48	Timing belt lower plate	1
35	515.12-09	Feeding timing belt (HTD-3M)	1
36	05-043080900-3	Flat gasket 4.3x0.8x9	12
37	07-0421111-6	Spring washer 4.2x1.1x1.1	12
38	01-504001424-3	Hexagon socket head cap screws	5
39	01-505002024-3	Hexagon socket head cap screws	4
40	01-303000822-3	Cross recessed button head screw	1
41	01-806000614-1	Hexagon socket cap head screw M6x6	2
42	01-804002021-1	Hexagon socket head screw without	2
43	03-605000400-1	Hex nut M5x4	1
44	01-506002024-3	Hexagon socket head cap screws	3
45	05-065101300-3	Flat washer 6.5x 1.0x 3	3
46	07-0631616-6	Elastic washer 6.3x1.6x1.6	3

# Left rotary clamp cylinder component



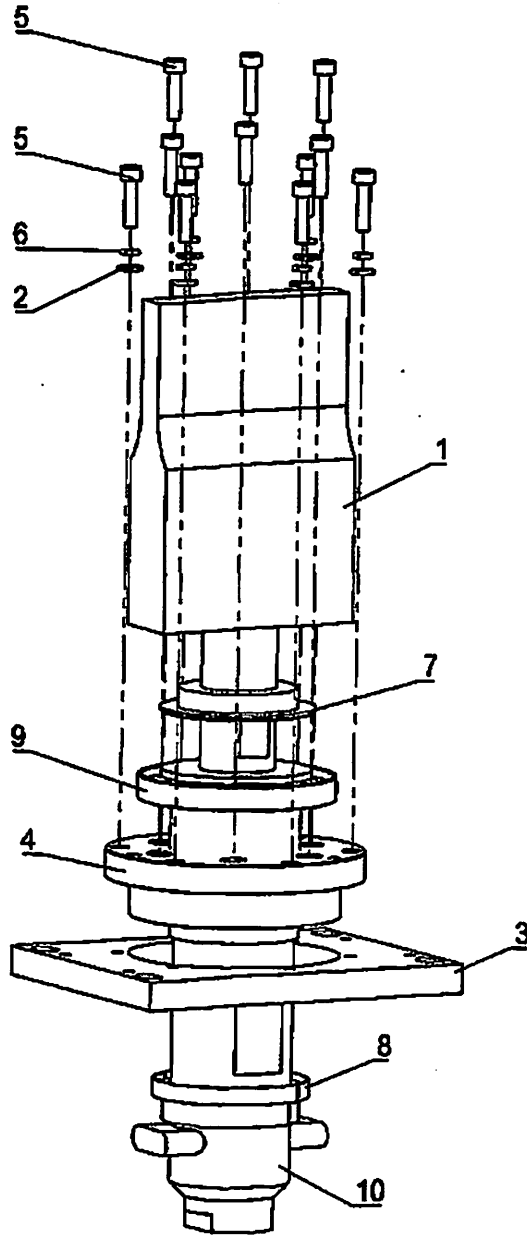
SN.	Drawing No.	Material	NAME OF PARTS	Qty.
1	515.29-51	Left fixing clamp (80mm)		1
2	01-503000624-1	Hexagon socket head cap screws		2
3	01-504000624-6	Hexagon socket head cap screws		1
4	515.29-52	Left movable clamp (80mm)		1
5	01-504001224-3	Hexagon socket head cap screws		2
6	30038908	PSL4M5A [speed control valve]		2
7	TACQ16x30	Cylinder		1

# Length alignment device



SN.	Drawing No.	NAME OF PARTS	Qty.
1	515.29-36	Mounting base 2	1
2	515.29-27-00	Guide rail assembly (MGN7C-38)	2
3	515.29-31	Pad	1
4	515.29-32	Pad 2	1
5	515.29-38	Clamping baffle 4	1
6	515.29-37	Clamping baffle 3	1
7	515.29-35	Nylon spacer 2	1
8	MU6-4B	AirTAC cylinder	2
9	M-3HL-4	Metal elbow	4
10	01-504001024-3	Hexagon socket head cap screws	4
11	05-043080900-3	Flat gasket 4.3x0.8x9	4
12	07-0421111-6	Elastic washer 4.2x1.1x1.1	4
13	01-502000424-3	Hexagon socket head cap screws	6
14	01-502000221-1	Slotted cheese-head screw M2x2	8
15	01-503001624-3	Hexagon socket head cap screws	4
16	01-104001024-3	Hexagon countersunk head screw	4
17	515.29-64	Nylon spacer 3	1

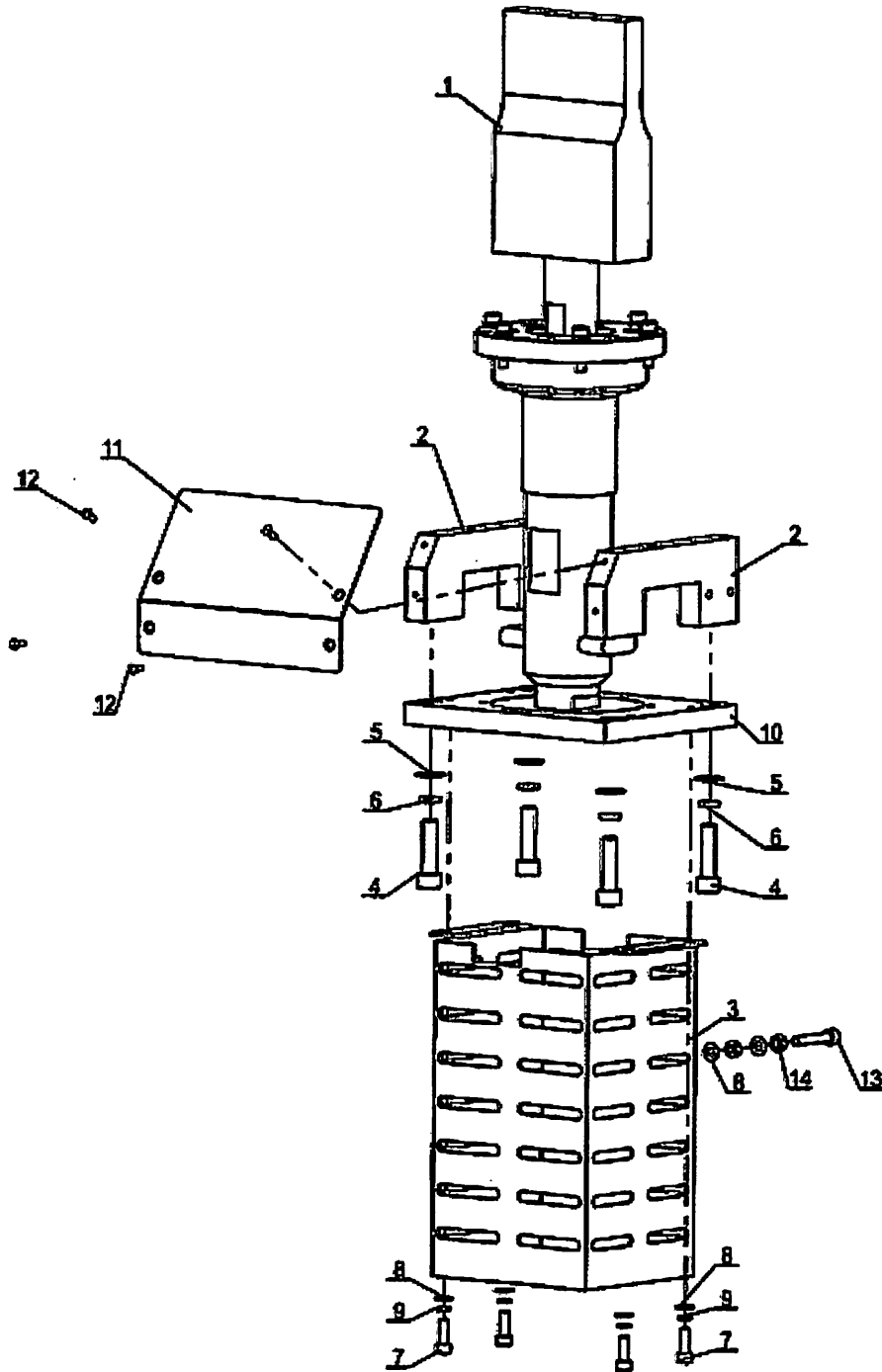
# Ultrasonic vibrator component



SN.	Drawing No.	Name	NAME OF PARTS	Qty.
1		Welding head 90x15		1
2	05-053101000-3	Flat washer 5.3x1x10		5
3	515.24-01	Vibrator base plate		1
4	Q02AN501520A	Flange tightening block (with ultrasonic)		1
5	01-505002224-3	Hexagon socket head cap screws M5x2		11
6	07-0521313-6	Spring washer 5.2x1.3x1.3		5
7	515.14-35	Flange 1		1
8	515.14-36	Flange 2		1
9	Q02AN501520A	Flange tightening block (with ultrasonic)		1
10	UW20-1A	Ultrasonic transducer		1

## Ultrasonic vibrator component

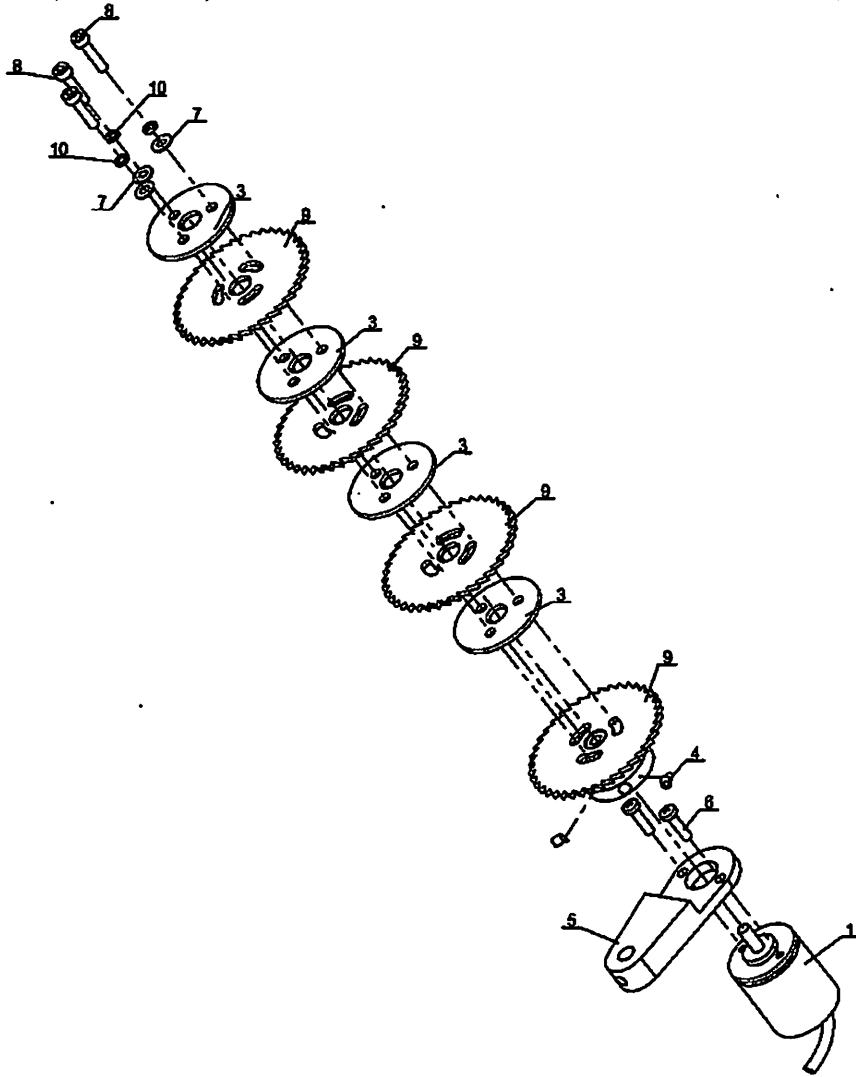
# Ultrasonic component



## Encoder length counting component

SN.	Drawing No.	Name	NAME OF PARTS	Qty.
1		Ultrasonic vibrator component		1
2	515.29-39	Ultrasonic base plate		2
3	515.24-04B	Ultrasonic cutter housing		1
4	01-508003024-3	Hexagon socket head cap screws M8x30		4
5	05-084161600-3	Flat gasket 8.5x 1x14		4
6	07-0812121-6	Elastic washer 8.1x2. x2.1		4
7	01-505001424-3	Hexagon socket head cap screws M5x14		4
8	05-053101000-3	Flat washer 5.3x1x10		6
9	07-0521313-6	Spring washer 5.2x1.3x1.3		4
10	515.24-01	Vibrator base plate		1
11	515.29-42	Housing		1
12	01-103000821-1	Slotted countersunk head screw M3x8		4
13	01-505003024-3	Hexagon socket head cap screws M5x30		1
14	03-605000500-4	Hex nut M5		2

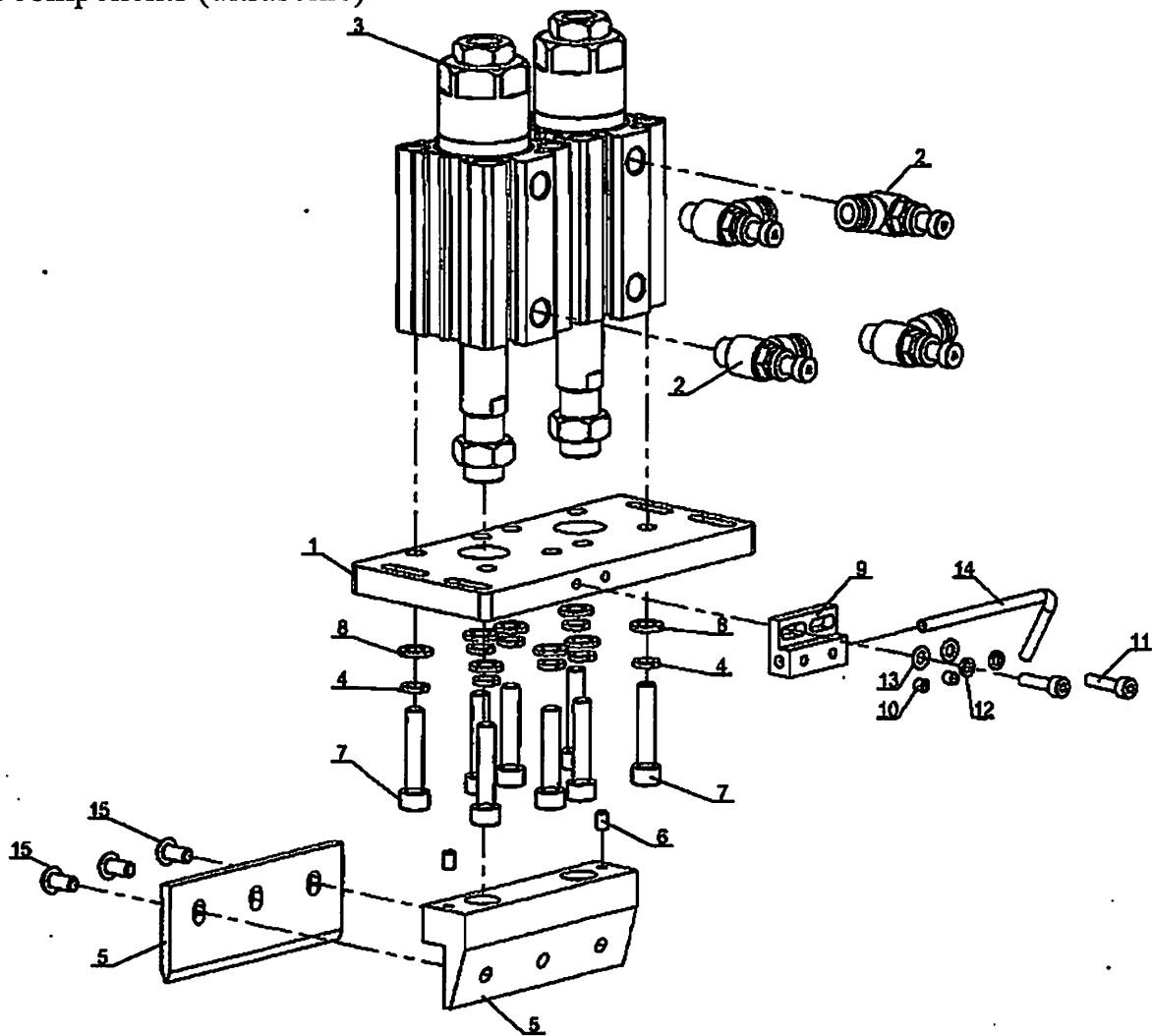
Tool components (ultrasonic)



SN.	Drawing No.	NAME OF PARTS	Qty.
1	30015930	OMRON Small encoder	1
2	515.15-56	Encoder length counting shaft	1
3	515.15-57	Pressing plate for encoder length	4
4	01-803000414-1	Hexagon socket cap head set screw	2
5	515.25-04	Encoder length counting plate	1
6	01-403001222-6	Cross recessed flat head screw M3x12	2
7	05-032050700-4	Flat washer 3.2x0.5x7	3
8	01-503001424-3	Hexagon socket head cap screws	3
9	515.15-58	Encoder length counting rotor	4
10	07-0310808-3	Elastic washer 3.1x0.8x0.8	3

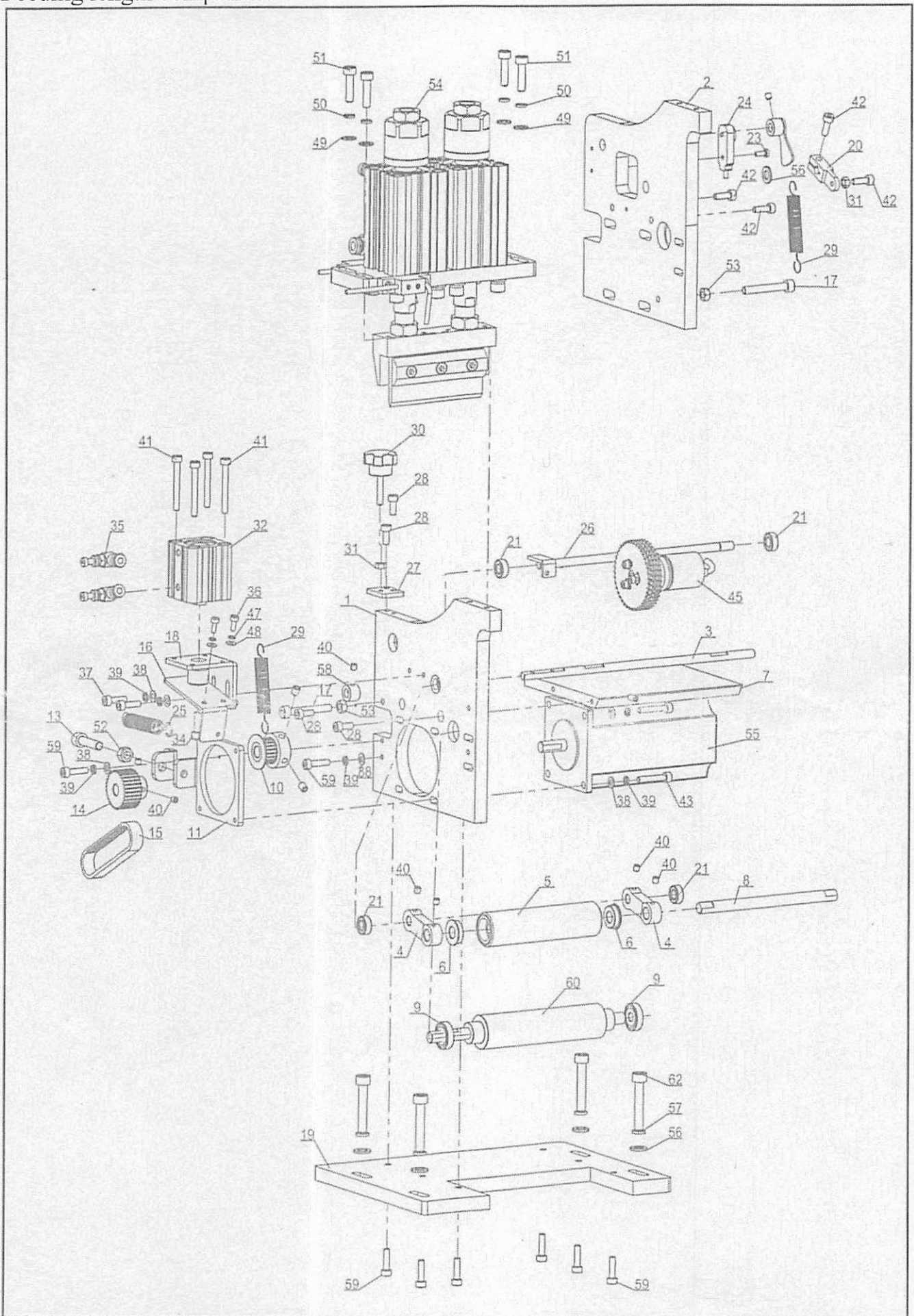


# Tool components (ultrasonic)



SN.	Drawing No.	NAME OF PARTS	Qty.
1	515.25-14	Cylinder pedestal	1
2	Speed control valve	PSL601A	4
3	ACQJ32x30-10SB	Cylinder	2
4	07-0631616-6	Elastic washer 6.3x1.6x1.6	8
5	515.25-09	Cutter	1
6	01-804000614-1	Hexagon socket cap head set screw	2
7	01-506003024-3	Hexagon socket head cap screws	8
8	05-064161200-6	Flat gasket 6.4x1.6x12	8
9	515.25-46	Blowing pipe clamp	1
10	01-804000414-1	Hexagon socket cap head set screw	2
11	01-504001624-3	Hexagon socket head cap screws	2
12	07-0421111-6	Elastic washer 4.2x1.1x1.1	2
13	05-042030900-6	Flat washer 4.2x0.3x9	2
14	515.25-47	Blast air pipe	1
15	01-305001024-3	[Hexagon socket cheese head screw]	3

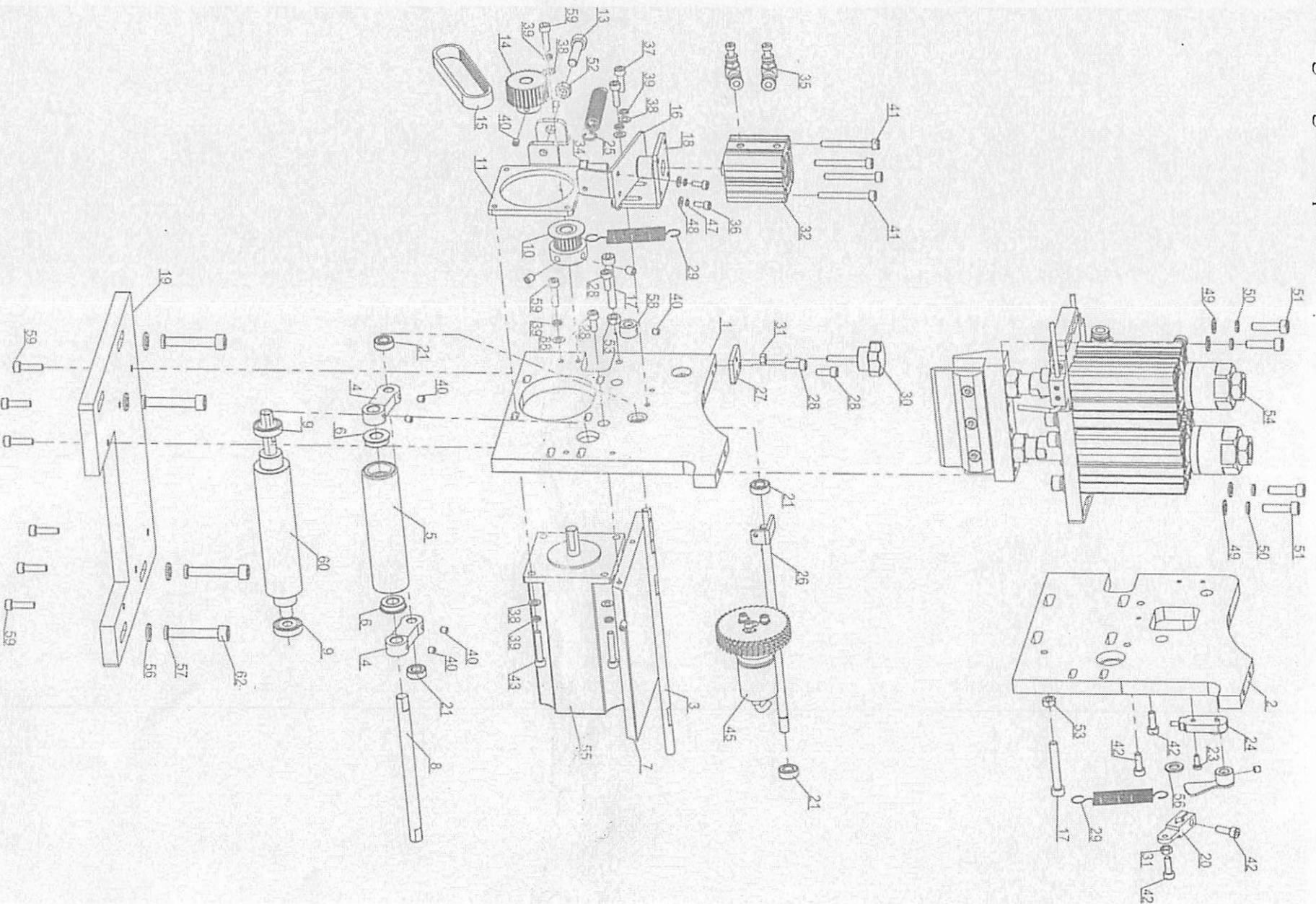
# Feeding length component



## Feeding length component

SN.	Drawing No.	NAME OF PARTS	Qty.
1	515.25-15	Left riser	1
2	515.25-16	Right riser	1
3	515.25-07	Upper shaft of driven pulley	1
4	515.25-06	Driven pulley bracket	2
5	515.25-17	Driven pulley	1
6	14-F688-2Z	Bearing F688	2
7	515.25-01	Intermediate brace	1
8	515.25-08	Driven pulley shaft	1
9	14-698-2Z	Bearing 8x19x6	2
10	515.15-18	Driving pulley (P20-HTD-3M)	1
11	515.25-32	Motor connecting plate	1
12	515.15-21	Tension plate	1
13	01-506002524-3	Hexagon socket head cap screws	1
14	515.25-33	Driven pulley (P30-HTD-3M)	1
15	515.15-19	Timing belt (192-3M)	1
16	515.15-12	Pull basket movable seat	1
17	01-505003524-3	Hexagon socket head cap screws	2
18	515.15-11	Cylinder bracket	1
19	515.25-13	Length counting baseplate	1
20	515.25-12	Length counting roller frame	1
21	14-628/6-2Z	Bearing 6x13x5	4
22	515.15-14	Overshoot sensor film	1
23	01-303000822-6	Cross recessed button head screw	1
24	30032043	Proximity switch Panasonic	1
25	2101.13-05	Drag spring	1
26	515.25-19-00	Pressure rod plate	1
27	515.15-68	Strut	1
28	01-504001024-3	Hexagon socket head cap screws M4	4
29	30052901	[Stainless steel tension spring]	2
30	30048387	Star knob M4-12	1
31	03-604000300-6	Hex nut M4x3	2
32	ACQ20x20	Cylinder	1
33	515.15-23	Cylinder top block	1
34	01-505001424-3	Hexagon socket head cap screws	1
35	PSL4M5A	Speed control valve	2
36	01-503000824-3	Hexagon socket head cap screws	2
37	01-504001424-3	Hexagon socket head cap screws	2
38	05-043080900-3	Flat washer 4.3x0.8x9	8
39.	07-0421111-6	Elastic washer 4.2x1.1x1.1	8
40	01-804000414-1	Hexagon socket cap head set screw	10
41	01-504003524-3	Hexagon socket head cap screws	4
42	01-504001224-3	Hexagon socket head cap screws	4
43	01-504002224-3	Hexagon socket head cap screws	4
44	01-805000614-1	Hexagon socket cap head set screw	2
45		Encoder length counting component	1
46	01-805000614-1	Hexagon socket cap head set screw	1
47	07-0310808-3	Elastic washer 3.1x0.8x0.8	2
48	05-032050700-4	Flat washer 3.2x0.5x7	2
49	05-053101000-3	Flat washer 5.3x1x10	4
50	07-0521313-6	Spring washer 5.2x1.3x1.3	4
51	01-505002024-3	Hexagon socket head cap screws	4
52	03-606000500-6	Hex nut M6	1

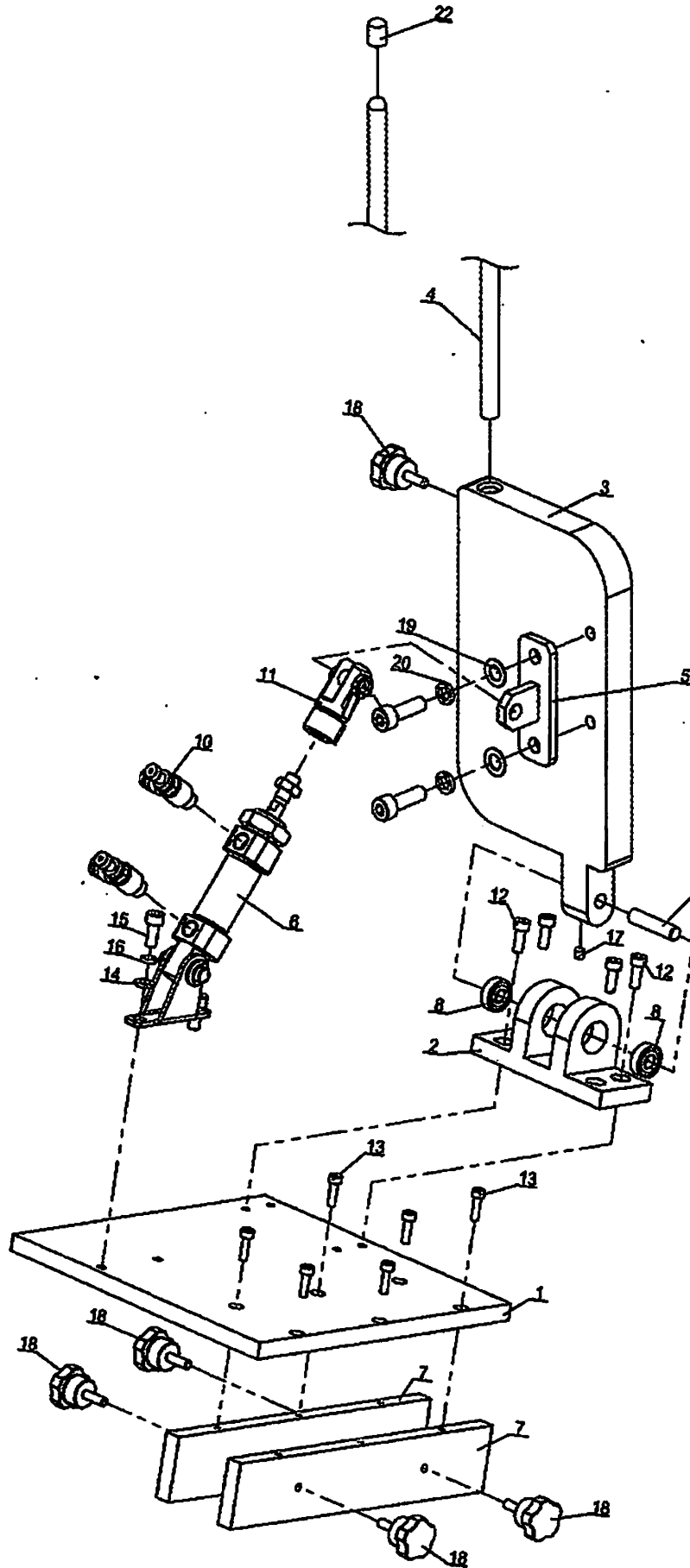
Feeding length component



Length counting box components

SN.	Drawing No.	NAME OF PARTS	
1	515.25-27B	Main support cover	1
2	515.25-22	Stainless steel panel	1
3	515.25-26	Right baffle	1
4	515.25-29	Pressing plate of left baffle	2
5	515.25-28	Left baffle	1
6	515.25-21	LOG identifier bracket adjusting plate	1
7	515.25-20	LOG identifier bracket	1
8	30048380	Adjustable handle screw M6x15	2
9	30057399	LX-101 with digital display	1
10	515.25-25	Transition pulley seat	1
11	515.25-24	Transition pulley shaft	3
12	515.25-23	Transition pulley	3
13	515.15-50-07	Spring catch	2
14	30045774	Star knob M5-16	2
15	01-303000424-3	Hexagon socket flat head screw M3x4	10
16	01-504001024-3	Hexagon socket head cap screws	12
17	05-042030900-6	Flat washer 4.2x0.3x9	10
18	07-0421111-6	Elastic washer 4.2x1.1x1.1	10
19	10-0560612-1	Halted ring for shaft 5.6X0.6x1.2	3
20	01-804000414-1	Hexagon socket cap head set screw	12
21	01-504003024-3	Hexagon socket head cap screws	2
22	515.25-45	Adjustable plate	1
23	515.25-50	Limit ring	6
24	515.25-54	Adjustable plate	1
25	05-064161200-6	Flat gasket 6.4x1.6x12	2
26	03-605000500-4	Hex nut M5	3
27	05-053101000-3	Flat washer 5.3x1x10	3

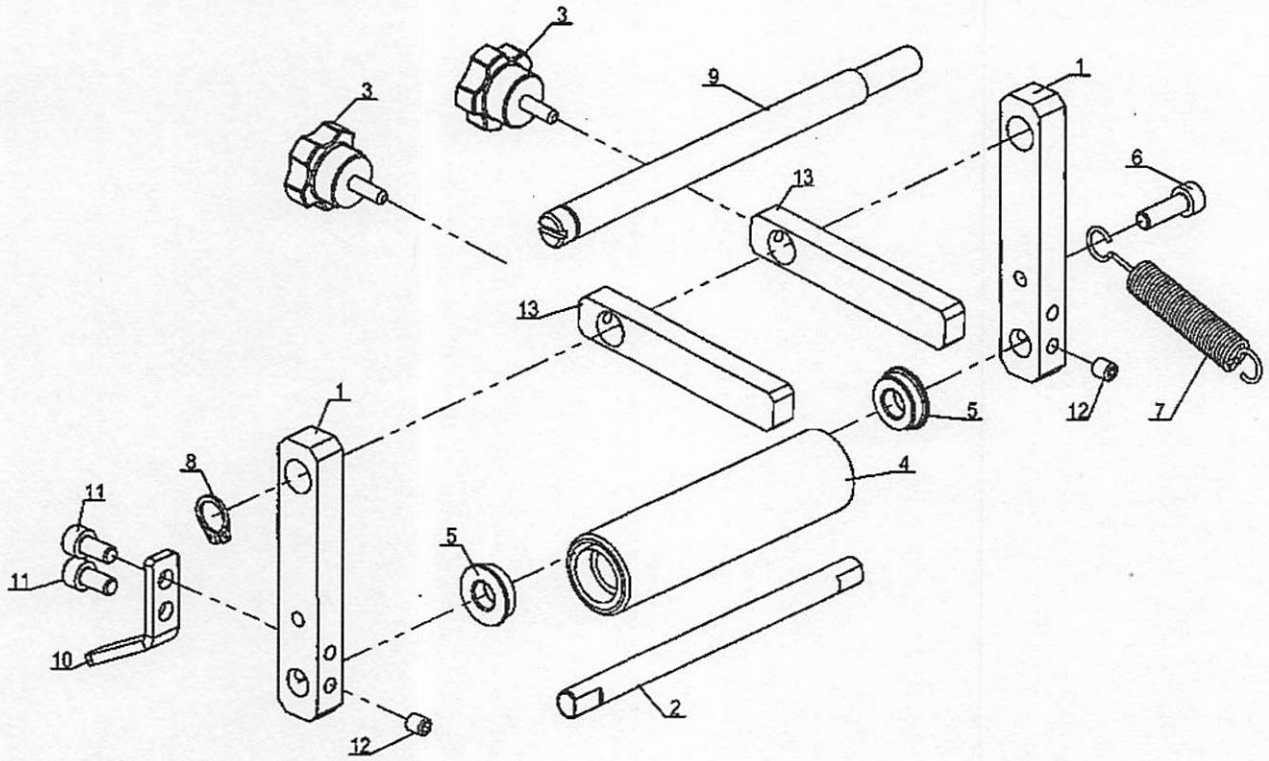
Receiving  
component



Receiving parts

SN.	Drawing No.	NAME OF PARTS	Qty.
1	515.29-78	Receiving base	1
2	515.29-80	Pickup bar base 1	1
3	515.29-81	Receiving rob base 2	1
4	515.29-79	Receiving rod	1
5	502.08-05B	Discharge cylinder seat	1
6	MFC20X25CA-25Z	Cylinder	1
7	515.29-76	Splice plate 1	2
8	14-698-2Z	Bearing 8x19x6	2
9	515.29-75	Connecting shaft	1
10	Speed control valve	PSL601A	2
11	F-MF20Y	Y-connector	1
12	01-505001424-3	Hexagon socket head cap screws	4
13	01-504001424-3	Hexagon socket head cap screws	6
14	05-064161200-6	Flat gasket 6.4x1.6x12	2
15	01-506001424-3	Hexagon socket head cap screws	2
16	07-0631616-6	Elastic washer 6.3x1.6x1.6	2
17	01-805000614-1	Hexagon socket cap head set screw	1
18	30045774	Star knob M5-16	5
19	05-084161600-3	Flat gasket 8.5x1x14	2
20	07-0812121-6	Elastic washer 8.1x2.1x2.1	2
21	01-508002524-3	Hexagon socket head cap screws	2
22	515.26-15	Black rubber sleeve (4) 7.5)	1



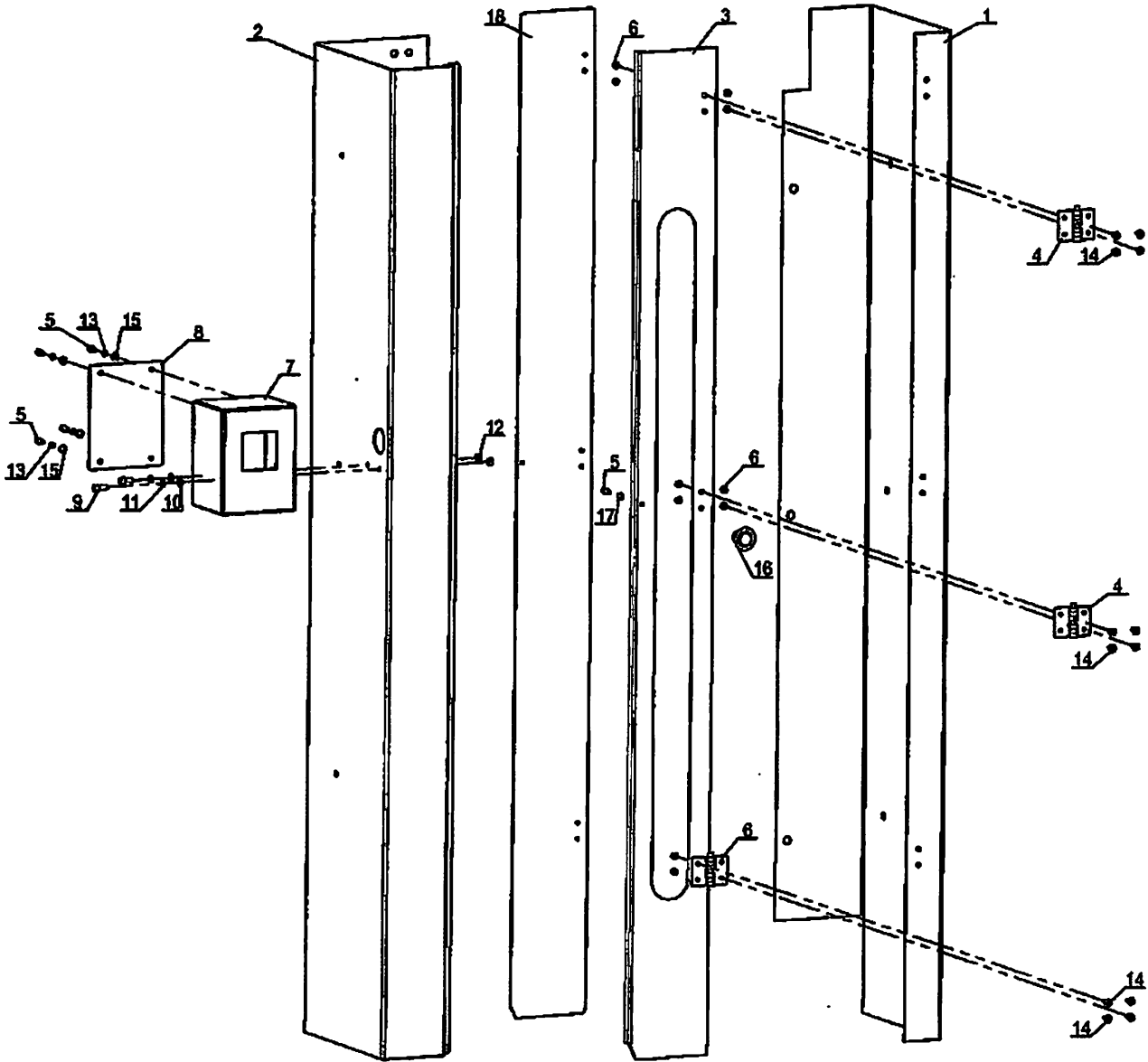


Driven pulley assembly (with ironing)

SN.	Drawing No.	NAME OF PARTS	Qty.
1	515.27-37	Driven pulley bracket	2
2	515.27-39	Driven shaft	1
3	30048387	Star knob M4-12	2
4	515.25-17	Rubber- coating driven pulley	1
5	14-F688-2Z	Bearing F688	2
6	01-505001624-3	Hexagon socket head cap screws	1
7	2101.13-05	Drag spring	1
8	10-0931015-1	Halted ring for shaft 9.3x1x1.5	1
9	515.27-46	Driven mechanism spindle 2	1
10	515.27-71	Wrench	1
11	01-505001024-3	Hexagon socket head cap screws	2
12	01-805000614-1	Hexagon socket cap head set screw	2
13	515.27-74	Positioning rod of driven pulley	2

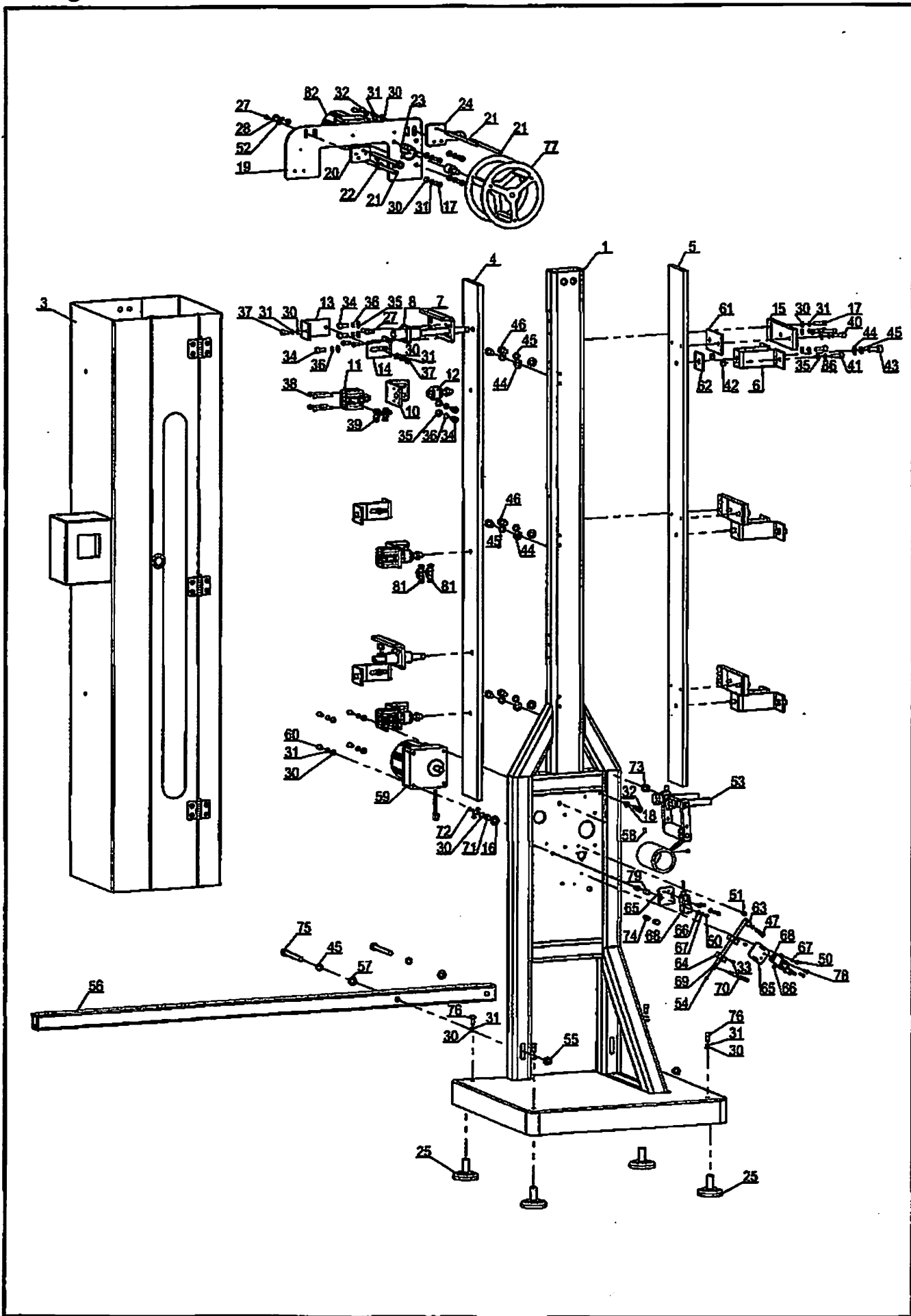


# Enclosure assembly



SN.	Drawing No.	NAME OF PARTS	Qty.
1	515.27-02B	Left shield plate	1
2	515.27-03B	Right shield plate	1
3	515.27-04B	Intermediate shield plate	1
4	30009828	[304 stainless steel hinge chain]	3
5	01-504001024-3	Hexagon socket head cap screws	5
6	03-604000300-6	Hex nut M4x3.2	12
7	515.27-51 B	Temperature control electric control	1
8	515.27-52B	Temperature control electric control	1
9	01-505001224-3	Hexagon socket head cap screws M5	2
10	05-053101000-3	Flat washer 5.3x1x10	2
11	07-0521313-6	Spring washer 5.2x1.3x1.3	2
12	03-605000500-4	Hex nut M5	2
13	07-0421111-6	Elastic washer 4.2x1.1x1.1	4
14	01-104001022-4	Cross recessed countersunk head	12
15	05-043080900-3	Flat gasket 4.3x0.8x9	4
16	30057360	Round cabinet door handle (extended)	1
17	05-042030900-6	Flat washer 4.2x0.3x9	1
18	515.27-56	Transparent shield plate	1

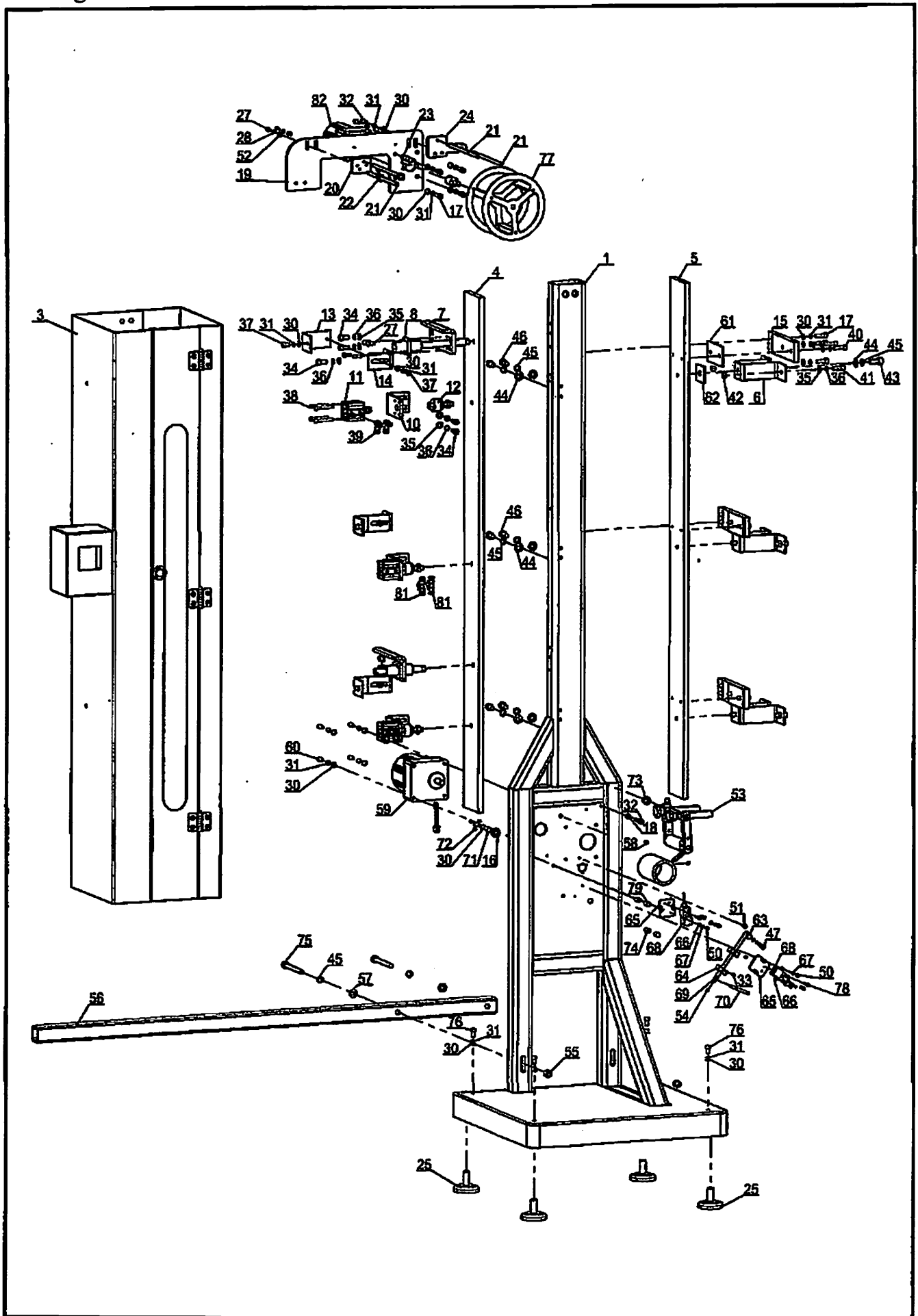
# Ironing mechanism



## Ironing mechanism

SN.	Drawing No.	NAME OF PARTS	Qty.
1	515.27-01-00B	Base bracket component	1
2	515.27-29B	Base side cover	1
3		Enclosure assembly	1
4	515.27-06	Heating aluminum plate	1
5	515.27-07	Fixed heating aluminum plate	1
6	515.27-58B	Bend connector	3
7	515.27-59B	Connecting plate	2
8	30045130	Linear bearing LMFC12UU	2
9	515.27-09	Limit axis	2
10	515.27-60B	Bending connector 2	3
11	thirty million	[Ultra thin cylinder] ACQ20x15-S-B	3
12	30052533	F-M8X125F [AirTAC floating joint]	3
13	515.27-61 B	Bending connector 3	3
14	515.27-62B	Bend connector 4	3
15	515.27-14	Fixed iron plate	3
16	30037932	14-F618-8 [Flanged bearing]	1
17	01-505002024-3	Hexagon socket head cap screws	11
18	03-605000500-4	Hex nut M5	1
19	515.27-19B	Monolithic motor plate	1
20	515.27-23	Fixing block	1
21	515.27-22	Stopper shaft	4
22	515.27-24	Closing ring 2	2
23	30048387	Star knob M4-12	1
24	515.27-25	Connecting plate 3	1
25	30045230	Rubber support food pad	4
26	03-612000800-4	[Hexagonal nut] M12x8	4
27	01-504001224-3	Hexagon socket head cap screws	10
28	07-0421111-6	Elastic washer 4.2x1.1x1.1	3
29	01-505001424-3	Hexagon socket head cap screws	3
30	05-053101000-3	Flat washer 5.3x1x10	35
31	07-0521313-6	Spring washer 5.2x1.3x1.3	34
32	01-505001624-3	Hexagon socket head cap screws	3
33	01-804000614-1	Hexagon socket cap head set screw	3
34	01-506001424-3	Hexagon socket head cap screws	11
35	05-064161200-6	Flat gasket 6.4x1.6x12	17
36	07-0631616-1	Elastic washer 6.3x1.6x1.6	17
37	01-505001024-3	Hexagon socket head cap screws	6
38	01-504003524-3	Hexagon socket head cap screws	8
39	PSL4M5A	Speed control valve	4
40	01-505002224-3	Hexagon socket head cap screws	6
41	01-506001824-3	Hexagon socket head cap screws	6
42	03-606000500-6	Hex nut M6	6
43	01-508002024-3	Hexagon socket head cap screws	3
44	05-084161600-6	Flat gasket 8.4x1.6x16	9
45	07-0812121-6	Elastic washer 8.1x2.1x2.1	11
46	30045218	[Hexagon socket cheese-head screw]	6
47	01-504001624-3	Hexagon socket head cap screws	1
48	515.27-27	Adapter sleeve	1
49	01-805000814-1	Hexagon socket cap head set screw	1
50	01-503000824-3	Hexagon socket head cap screws	4
51	01-504001024-3	Hexagon socket head cap screws	6
52	05-043080900-3	Flat gasket 4.3x0.8x9	2

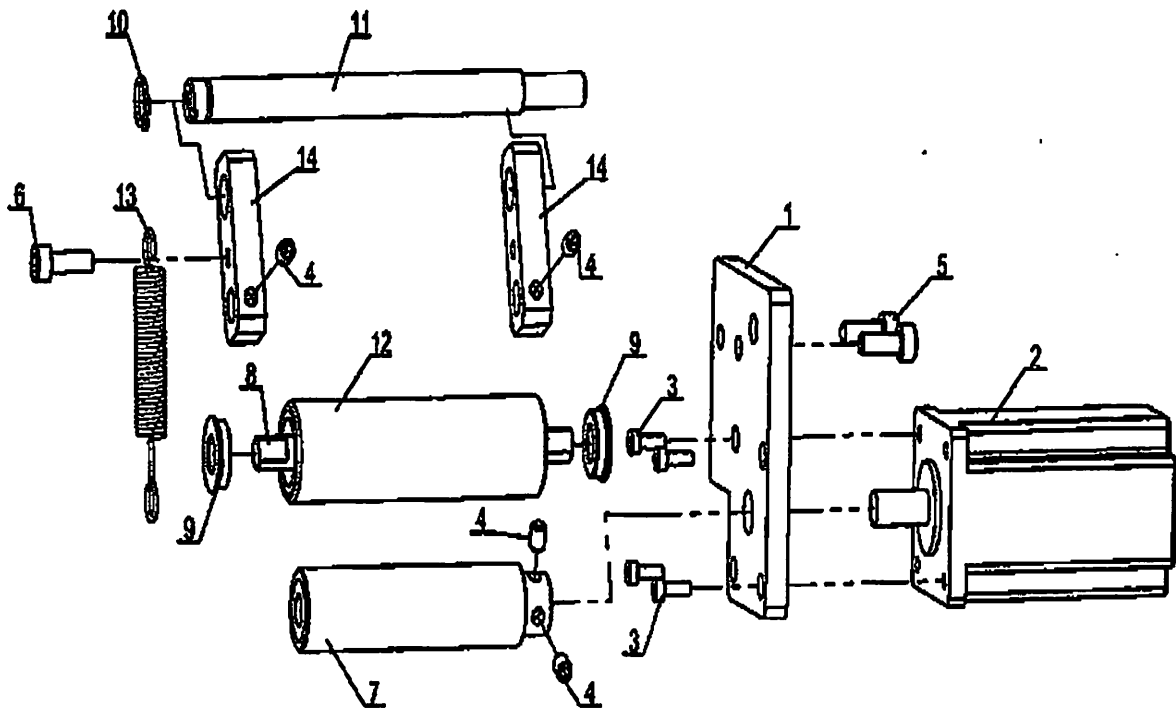
# Ironing mechanism



### Ironing mechanism

SN.	Drawing No.	NAME OF PARTS	Qty.
53		Driven pulley assembly (with ironing)	1
54	01-804000414-1	Hexagon socket cap head set screw	1
55	03-608000650-6	Hex nut M8	2
56	515.27-49B	Extended beam	1
57	05-081201553-5	Flat gasket 8.1x2.0x15.5	2
58	01-805000614-1	Hexagon socket cap head set screw	2
59	30057381	80 single-phase asynchronous motor	1
60	01-505001224-3	Hexagon socket head cap screws	4
61	515.27-54	Heat shield	3
62	515.27-55	Heat shield 2	3
63	515.27-67	Cylinder 1	1
64	515.27-64	Induction fixing block	2
65	515.27-63	Sensor fixing block	2
66	05-032050700-4	Flat washer 3.2x0.5x7	4
67	07-0310808-3	Elastic washer 3.1x0.8x0.8	4
68	30034523	M105-18a proximity switch	2
69	515.27-68	Cylinder 2	1
70	515.27-69	Cylinder 3	1
71	515.27-65	Fixed sleeve	1
72	01-303000624-6	Hexagon socket button head screw	3
73	515.27-70	Spacer sleeve	1
74	515.27-66	Welding post	2
75	01-508008524-3	Hexagon socket head cap screws	2
76	01-505001224-3	Hexagon socket head cap screws	4
77		Belt shaking pulley component	1
78	01-503001624-3	Hexagon socket head cap screws	4
79	515.22-24	Black rubber sleeve (P5.5)	2
eig	515.27-17-00	Outlet driving pulley	1
81	PEB4M5	Pipe joint	2
82	30057763	Single-phase asynchronous motor	1

# Belt feeding roller assembly

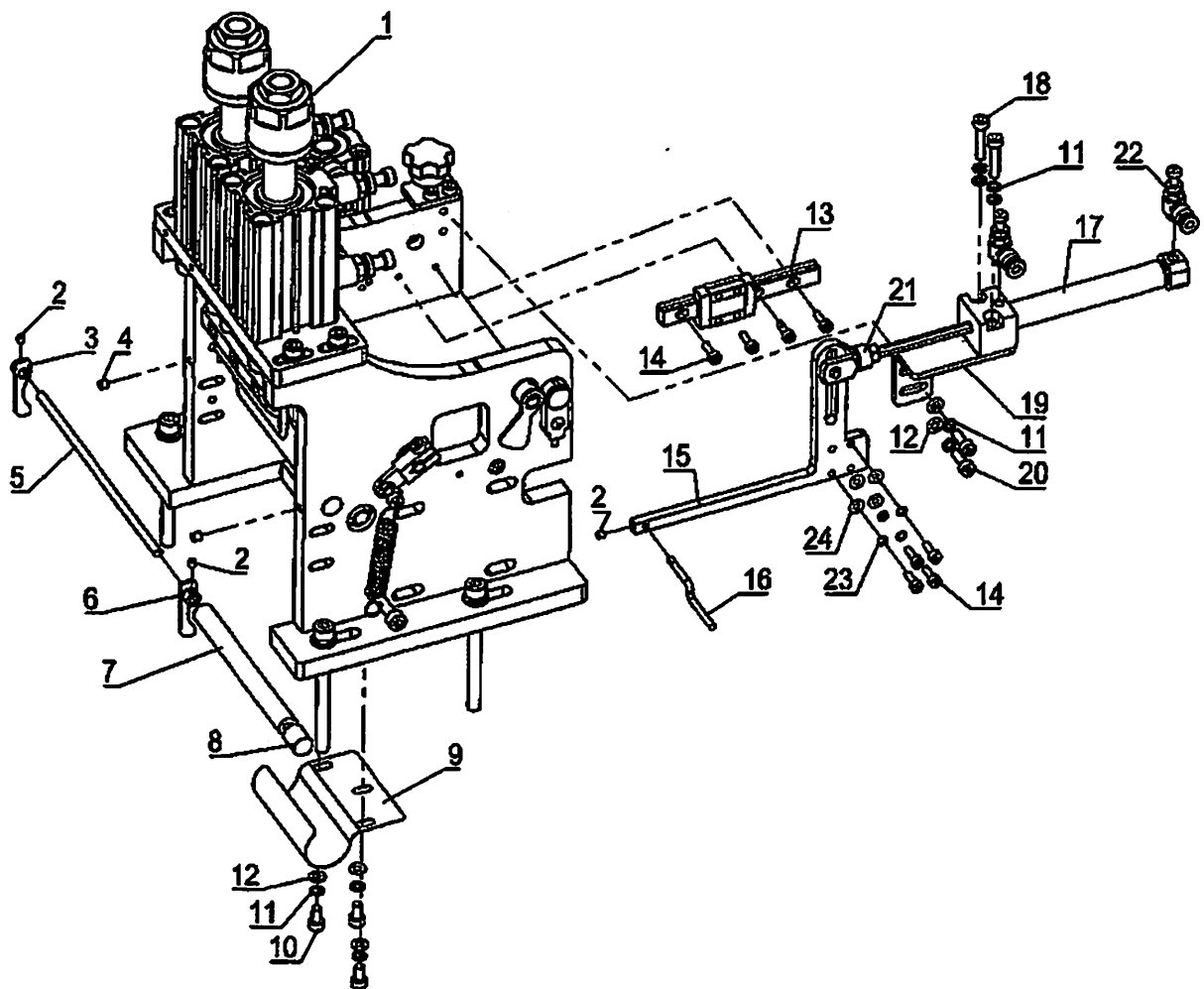


SN.	Drawing No.	NAME OF PARTS	Qty.
1	515.29-53	Motor fixing block	1
2	MO-515.22-70	42 Closed loop motor (with Z signal)	1
3	01-503001024-3	Hexagon socket head cap screws	4
4	01-805000614-1	Hexagon socket cap head set screw	4
5	01-505001424-3	Hexagon socket head cap screws	2
6	01-505001624-3	Hexagon socket head cap screws	1
7	515.29-54	Driving pulley	1

Belt feeding roller assembly

8	515.27-39	Driven shaft		1
9	14-F688-2Z	Bearing F688		2
10	10-0931015-1	Halted ring for shaft 9.3x1x1.5		1
11	515.27-46	Driven mechanism spindle 2		1
12	515.25-17	Driven pulley		1
13	2101.13-05	Drag spring		1
14	515.29-55	Driven pulley bracket		2

# Length counting stopper device



SN.	Drawing No.	NAME OF PARTS	Qty.
1		Feeding length component	1
2	01-803000414-1	Hexagon socket cap head set screw	3



### Length counting stopper device

		M3x4		
3	515.29-62-00	Left baffle component		1
4	01-804000414-1	Hexagon socket cap head set screw M4M		2
5	515.29-57	Feeding shaft		1
6	515.29-63-00	Right baffle component		1
7	515.29-71	Sleeve		1
8	515.29-15	Black rubber sleeve ( $\phi$ 7.5) with a problem in the symbol		1
9	515.29-61	Roller cover		1
10	01-504000824-3	Hexagon socket head cap screws M4x8		3
11	07-0421111-6	Spring washer 4.2x1.1x1.1		8
12	05-043080900-3	Flat gasket 4.3x0.8x9		4
13	515.29-67-00	Feed rail component (MGN9C-84)		1
14	01-503001024-3	Hexagon socket slotted cheese-head screw M3X10		8
15	515.29-65	Bracing base		1
16	515.29-66	Bracing rod		1
17	PBRK12x60U	Cylinder		1
18	01-504002024-3	Hexagon socket head cap screws M4x20		2
19	515.29-68	Cylinder connecting seat		1
20	01-504001224-3	Hexagon socket head cap screws M4x12		2
21	F-PB12Y	Connector		1
22	PSL4M5A	Speed control valve		2
23	07-0310808-3	Spring washer 3.1x0.8x0.8		4
24	05-032050700-4	Flat gasket 3.2x0.5x7		4



富山IoT



微信公众号



抖音官方号

## 上海富山精密机械科技有限公司

HIKARI (SHANGHAI) PRECISE MACHINERY SCIENCE AND TECHNOLOGY CO., LTD

邮箱/E-mail: hikari@chinahikari.com

网址/Web: www.chinahikari.com

传真/Fax: (00)86-21-67311311

电话/Tel: (00)86-21-67311111 ( 转外贸部/ext .Foreign Trade Dept )

上海市金山区朱泾镇工业园区中达路800号

NO.800, ZHONGDA ROAD, ZHUJING INDUSTRIAL ZONE,

JINSHAN DISTRICT, SHANGHAI CHINA



QUANTITY ATTESTATION  
ISO9001质量体系认证