

富山

高端电脑包缝机开创者与领导者
THE CREATOR AND LEADER OF
HIGH-END COMPUTERIZED OVERLOCK MACHINE

HX6800T系列
COMPUTER DIRECT-DRIVE
INTELLIGENT HIGH-SPEED
OVERLOCK SEWING MACHINE
电脑直驱智能高速包缝机

零件手册
PARTS BOOK

上海富山精密机械科技有限公司
Hikari(Shanghai)precise Machinery Science&technology Co.,Ltd

中国上海市金山区朱泾工业园区中达路800号
No.800.zhongda Road,jinshan Zone,shanghai.china

电话: (00) 86-21-67311111
TEL: (00) 86-21-67311111
传真: (00) 86-21-67311311
Fax: (00) 86-21-67311311
E-mail:hikari@chinahikari.com
http:www.chinahikari.com



此说明书仅作参考，如有更改恕不另作通知。

This manual is only for reference.
If there is any modification, we apologize for the inconvenience caused.



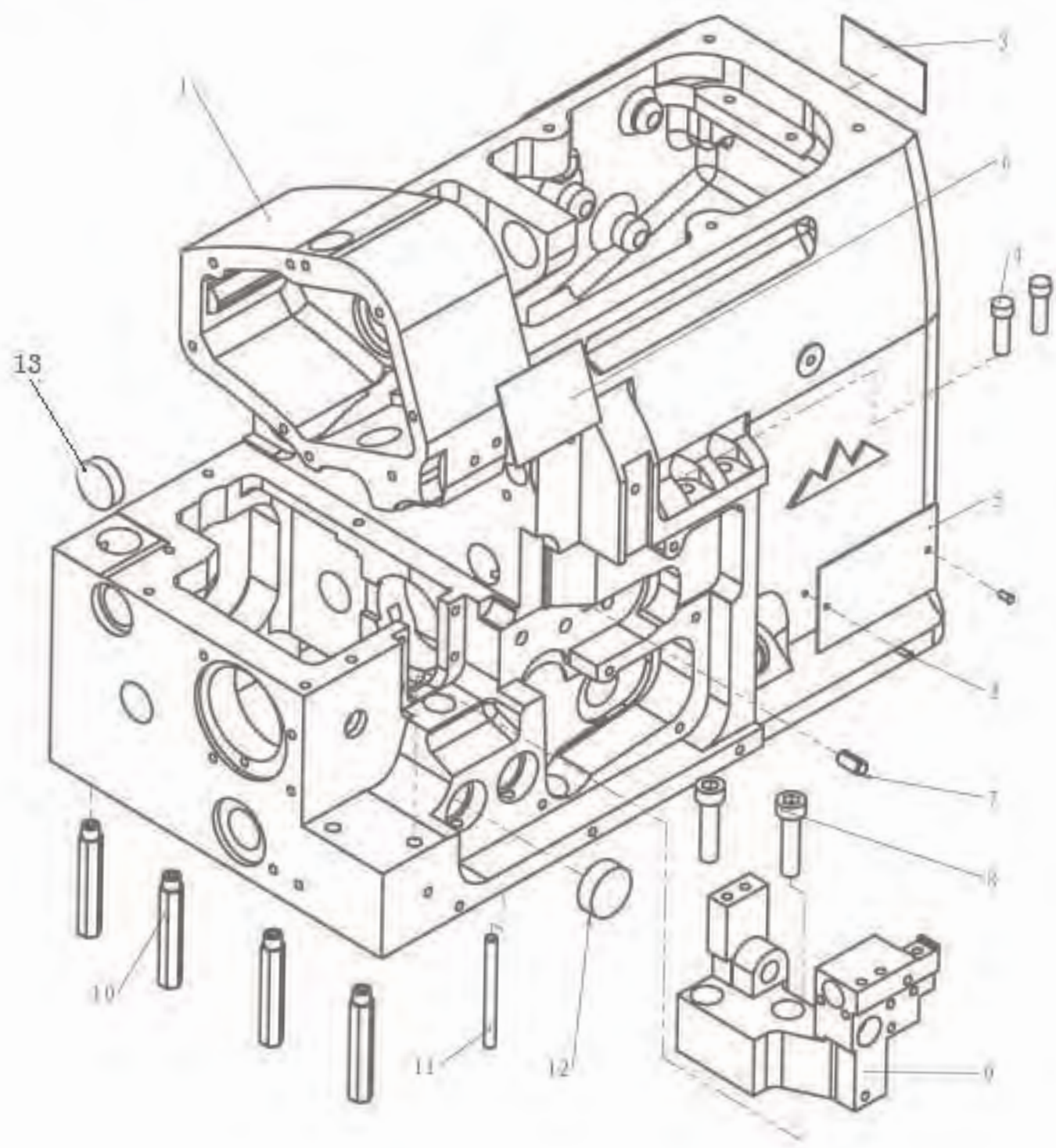
通过ISO9001:2008
质量管理体系认证

目 录

| | |
|---|---------|
| 1. 机壳部分····· | P1-P2 |
| 2. 密封部分(1) ····· | P3-P4 |
| 3. 密封部分(2)····· | P5-P6 |
| 4. 主轴传动部分····· | P7-P8 |
| 5. 针杆传动部分····· | P9-P10 |
| 6. 针板部分····· | P11-P12 |
| 7. 上弯针传动部分····· | P13-P14 |
| 8. 下弯针传动部分····· | P15-P16 |
| 9. 针距调节部分····· | P17-P18 |
| 10. 送布传动部分····· | P19-P20 |
| 11. 剪切部分····· | P21-P22 |
| 12. 前弯针传动部分····· | P23-P24 |
| 13. 压布传动部分····· | P25-P26 |
| 14. 润滑部分····· | P27-P28 |
| 15. 油盘部分····· | P29-P30 |
| 16. 夹线器部分····· | P31-P32 |
| 17. 过线件部分(1)····· | P33-P34 |
| 18. 过线件部分(2)····· | P35-P36 |
| 19. 过线件部分(3)····· | P37-P38 |
| 20. 硅油装置部分····· | P39-P40 |
| 21. 压脚部分····· | P41-P42 |
| 22. 附件部分····· | P43-P46 |
| 23. 参考部件 ····· | P47-P48 |
| 24. HX6804(T)-82三线、HX6814(T)-83四线倒回缝(封口机)专用件····· | P49-P50 |
| 25. HX6804(T)-32R2手帕缝专用件····· | P51-P52 |
| 26. HX6814(T)-53肩带缝及HX6814(T)-54厚料肩带缝专用件····· | P53-P54 |
| 27. 自动感应器部分 ····· | P55-P60 |
| 28. 漏斗部分····· | P61-P64 |

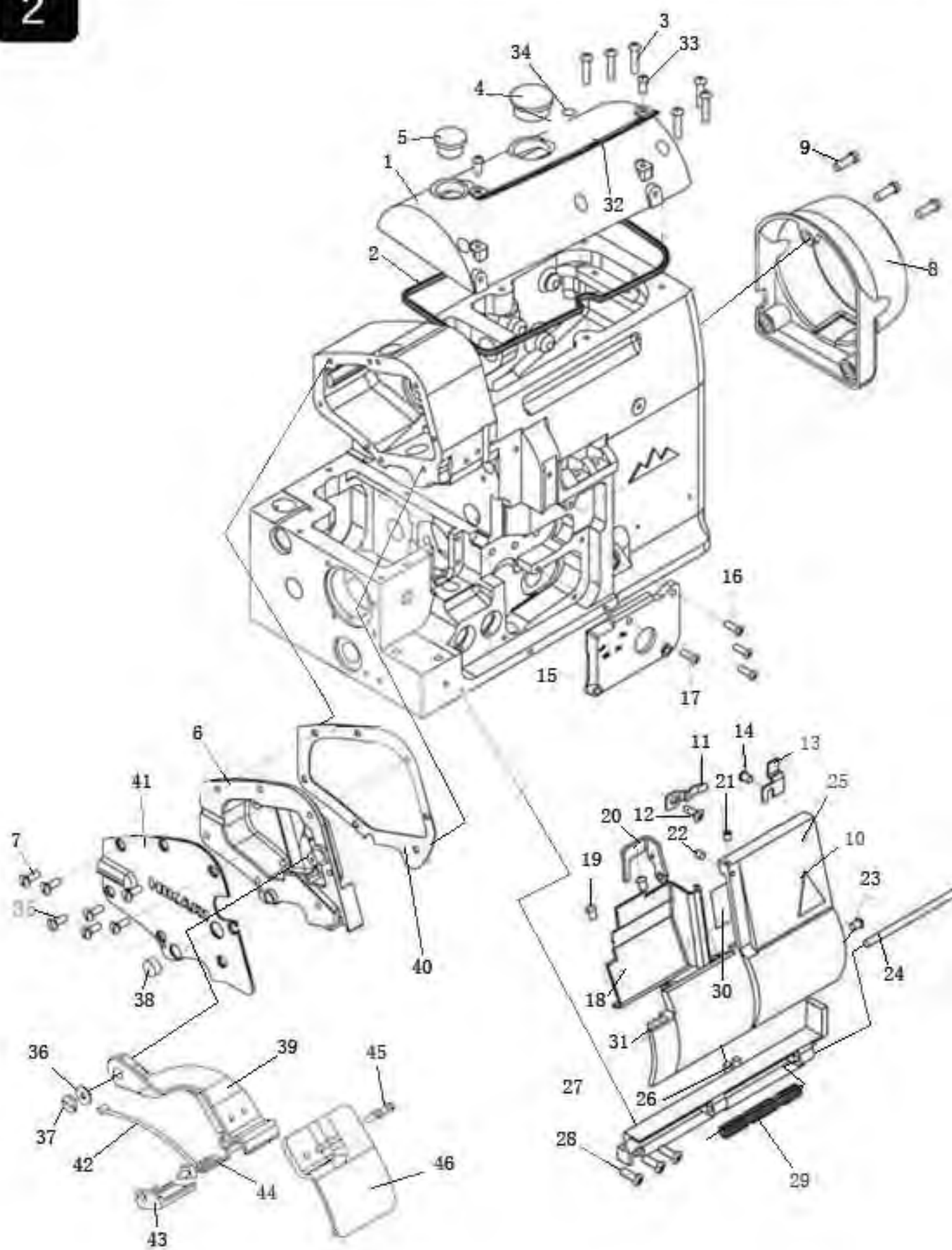
29. PP系列专用件 P65-P66

30. HX6814TA-03KSC2/AK系列专用件 P67-P68



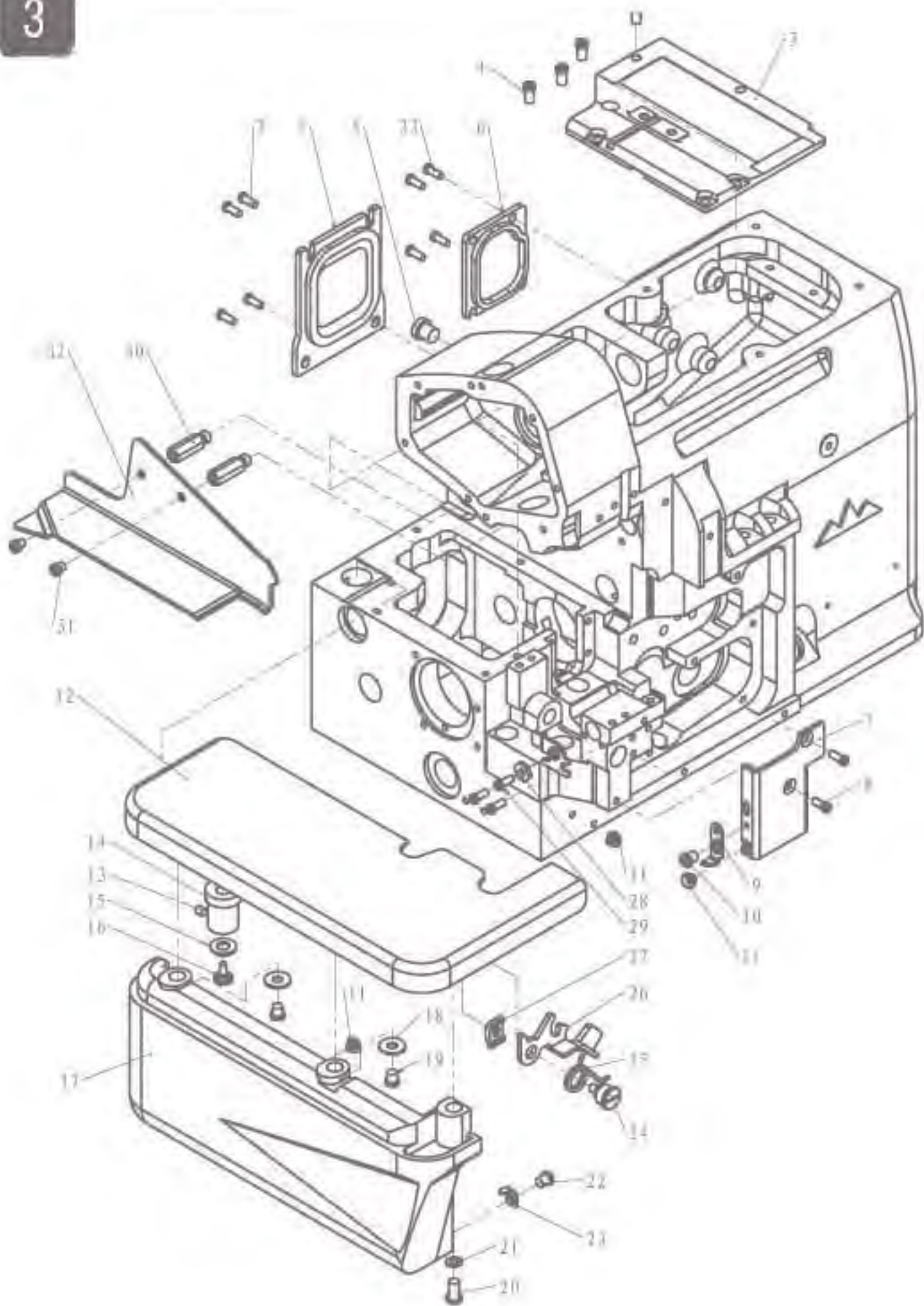
1. 机壳部分

| 序号 | 图号 | 名称 | | 3 线 | 4 线 | 5 线 | 5 宽 | 5 厚 | 6 线 | 备注 |
|----|----------------|-----------|---------------------------------|--------|--------|--------|--------|--------|--------|----|
| | | 中文 | 英文 | | | | | | | |
| 1 | 260.01-01C1 | 机头 | Machine Head | 1 | 1 | 1 | 1 | 1 | 1 | |
| 2 | 17-3200500-5 | 机身编码固定铆钉 | Setscrew | 2 | 2 | 2 | 2 | 2 | 2 | |
| 3 | 210.01-05G | 安全标识 | Safety-indicating Plate | 1 | 1 | 1 | 1 | 1 | 1 | |
| 4 | 201.01-06G | 过线管 | Thread Guide Pipe | 2 | 2 | 2 | 2 | 2 | 2 | |
| 5 | H0-004 | 综合型号牌 | Comprehensive Model Plate | 1 | 1 | 1 | 1 | 1 | 1 | |
| 6 | H0-002 | 笑脸贴 | Smiling face paste | 1 | 1 | 1 | 1 | 1 | 1 | |
| 7 | 15-1501005-1 | 限位销 | Limited Pin | 1 | 1 | 1 | 1 | 1 | 1 | |
| 8 | 01-506002524-1 | 针板固定螺钉 | Needle Board Setscrew | 2 | 2 | 2 | 2 | 2 | 2 | |
| 9 | 201.01-10G | 针板支座 | Needle Board Supporting | 1 | 1 | 1 | 1 | 1 | 1 | |
| 10 | 201.01-12 | 支柱 | Support Pillar | 4 | 4 | 4 | 4 | 4 | 4 | |
| 11 | 15-2404503-1 | 油管（弹性圆柱销） | Oil Pipe (elastic cylinder pin) | 1 | 1 | 1 | 1 | 1 | 1 | |
| 12 | 22-19005500 | 橡胶帽 | Rubber Cushion | 1 | 1 | | | | | |
| 13 | 22-17405000 | 橡胶塞 | Rubber Cushion | 1 | 1 | 1 | 1 | 1 | 1 | |



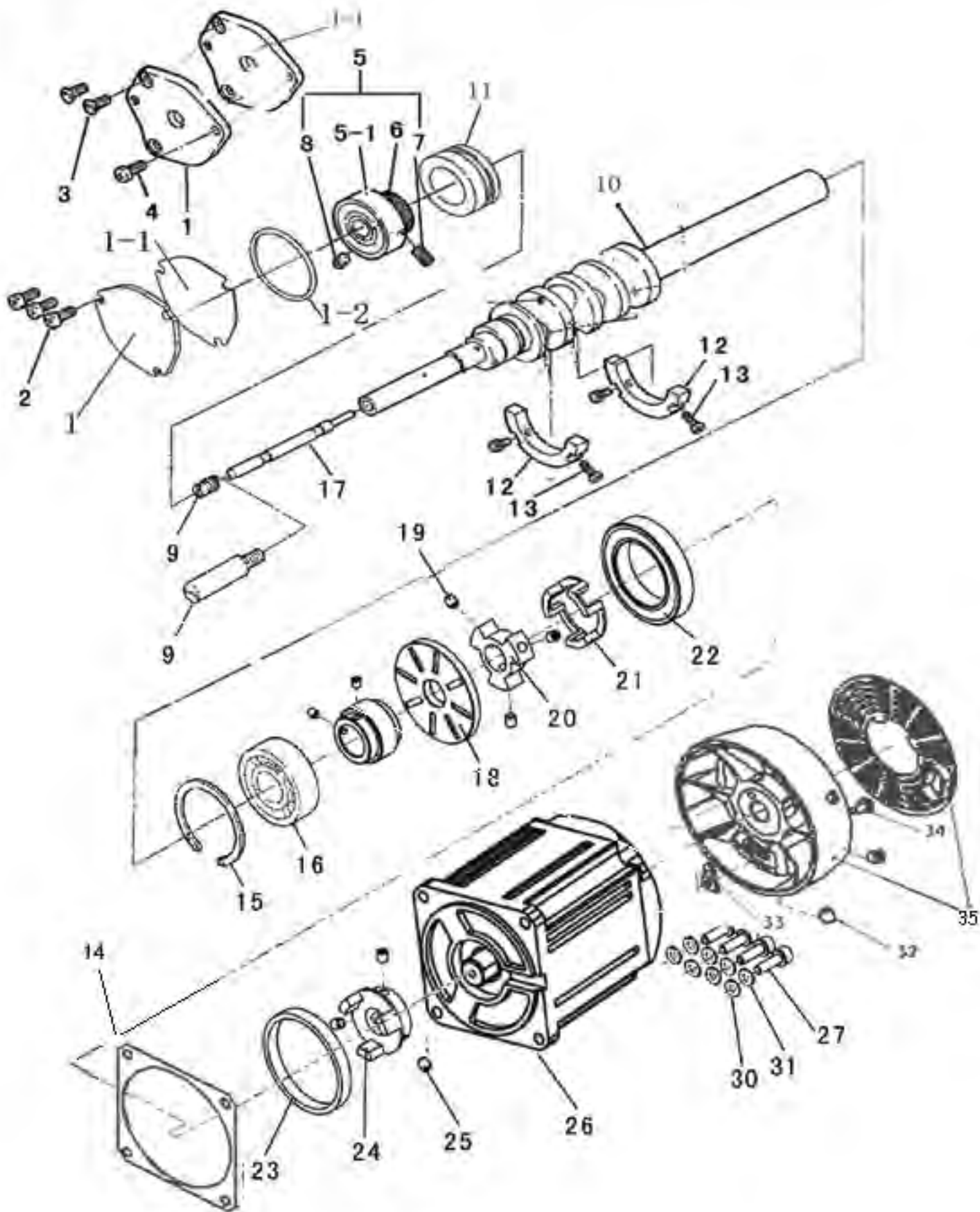
2. 密封部分(1)

| 序号 | 图号 | 名称 | | 3 线 | 4 线 | 5 线 | 5 宽 | 5 厚 | 6 线 | 备注 |
|----|----------------|-----------|---------------------------|--------|--------|--------|--------|--------|--------|----|
| | | 中文 | 英文 | | | | | | | |
| 1 | 201.02-01G | 上盖 | Upper Cover | 1 | 1 | 1 | 1 | 1 | 1 | |
| 2 | 260.02-02A | 油封垫 | Oil Reservoir Gasket | 1 | 1 | 1 | 1 | 1 | 1 | |
| 3 | 01-404001623-1 | 上盖螺钉 | Screw | 6 | 6 | 6 | 6 | 6 | 6 | |
| 4 | 201.02-04 | 油窗 | Oil Sight Window | 1 | 1 | 1 | 1 | 1 | 1 | |
| 5 | 22-19807024 | 油塞 | Oil Plug | 1 | 1 | 1 | 1 | 1 | 1 | |
| 6 | 260.02-06C | 机头左盖 | Left Cover | 1 | 1 | 1 | 1 | 1 | 1 | |
| 7 | 260.29-46 | 左盖螺钉 | Screw | 2 | 2 | 2 | 2 | 2 | 2 | |
| 8 | 210.02-08 | 电机罩 | Motor Cover | 1 | 1 | 1 | 1 | 1 | 1 | |
| 9 | 01-505001224-1 | 电机罩螺钉 | Screw | 3 | 3 | 3 | 3 | 3 | 3 | |
| 10 | 201.02-10 | 安全标识 | Safety-indicating Plate | 2 | 2 | 2 | 2 | 2 | 2 | |
| 11 | 201.02-13 | 前板锁紧舌 | Cloth Waste Cover Stopper | 1 | 1 | 1 | 1 | 1 | 1 | |
| 12 | 01-404000523-1 | 前盖板锁紧舌螺钉 | Screw | 1 | 1 | 1 | 1 | 1 | 1 | |
| 13 | 201.02-15 | 前盖板锁紧板 | Cloth Waste Locket | 1 | 1 | 1 | 1 | 1 | 1 | |
| 14 | 01-404000523-1 | 前盖板锁紧板螺钉 | Screw | 1 | 1 | 1 | 1 | 1 | 1 | |
| 15 | 201.02-17 | 前盖板 | Cloth Waste Cover | 1 | 1 | 1 | 1 | 1 | 1 | |
| 16 | 01-404001223-1 | 前盖板螺钉A | Screw | 3 | 3 | 3 | 3 | 3 | 3 | |
| 17 | 01-604001421-1 | 前盖板螺钉B | Screw | 1 | 1 | 1 | 1 | 1 | 1 | |
| 18 | 201.02-20 | 前盖板罩板 | Cover | 1 | 1 | | | | | |
| | 203.02-20 | 前盖板罩板 | Cover | | | 1 | 1 | 1 | 1 | |
| 19 | 01-404000623-1 | 前盖板罩板螺钉 | Screw | 2 | 2 | 2 | 2 | 2 | 2 | |
| 20 | 201.02-22 | 前盖板防转压板 | Anti-rotating Clamp | 1 | 1 | 1 | 1 | 1 | 1 | |
| 21 | 01-803000414-1 | 螺钉 | Screw | 1 | 1 | 1 | 1 | 1 | 1 | |
| 22 | 01-803001214-1 | 螺钉 | Screw | 1 | 1 | 1 | 1 | 1 | 1 | |
| 23 | 01-503000421-1 | 前盖板防转压板螺钉 | Screw | 1 | 1 | 1 | 1 | 1 | 1 | |
| 24 | 201.02-27 | 铰链销 | Looper Cover Hinge Shaft | 1 | 1 | 1 | 1 | 1 | 1 | |
| 25 | 201.02-28G1 | 前罩壳 | Cover | 1 | 1 | 1 | 1 | 1 | 1 | |
| 26 | 01-804000414-1 | 铰链销紧定螺钉 | Screw | 2 | 2 | 2 | 2 | 2 | 2 | |
| 27 | 201.02-30A | 前罩壳下铰链 | Hinge | 1 | 1 | 1 | 1 | 1 | 1 | |
| 28 | 01-404001223-1 | 下铰链螺钉 | Screw | 3 | 3 | 3 | 3 | 3 | 3 | |
| 29 | 201.02-32 | 铰链销弹簧 | Hinge Shaft Spring | 1 | 1 | 1 | 1 | 1 | 1 | |
| 30 | 201.02-33A | 穿线标识A | Threading Sign | 1 | | | | | | |
| | 202.02-33A | 穿线标识A | Threading Sign | | 1 | | | | | |
| | 203.02-33A | 穿线标识A | Threading Sign | | | 1 | 1 | | | |
| | 204.02-33A | 穿线标识A | Threading Sign | | | | | 1 | | |
| | 206.02-33A | 穿线标识A | Threading Sign | | | | | | 1 | |
| 31 | 203.02-34A | 穿线标识B | Threading Sign | | | 1 | 1 | 1 | 1 | |
| 32 | 201.02-35G | 过线板A | Thread Guide Plate | 1 | 1 | 1 | 1 | 1 | 1 | |
| 33 | 01-404000623-1 | 过线板螺钉 | Screw | 2 | 2 | 2 | 2 | 2 | 2 | |
| 34 | 201.02-37 | 油量标识 | Oil Sign | 1 | 1 | 1 | 1 | 1 | 1 | |
| 35 | 260.29-46 | 左盖螺钉 | Screw | 5 | 5 | 5 | 5 | 5 | 5 | |
| 36 | 08-0900313-1 | 波形垫圈 | Elastic Cushion | 1 | 1 | 1 | 1 | 1 | 1 | |
| 37 | 210.27-18A | 切刀连杆销螺钉 | Screw | 1 | 1 | 1 | 1 | 1 | 1 | |
| 38 | 22-10705012 | 橡胶塞 | Rubber Stopper | 1 | 1 | 1 | 1 | 1 | 1 | |
| 39 | 260.26-01A | 照明灯外罩 | Led-light base | 1 | 1 | 1 | 1 | 1 | 1 | |
| 40 | 260.02-40A | 机头左盖垫 | Sealing gasket | 1 | 1 | 1 | 1 | 1 | 1 | |
| 41 | 260.02-41E | 机头左外盖 | left outside cover | 1 | 1 | 1 | 1 | 1 | 1 | |
| 42 | X-05-32/01 | 照明灯电源线 | Light Connecting line | 1 | 1 | 1 | 1 | 1 | 1 | |
| 43 | 246.26-02 | 照明灯外罩盖 | Lamp Housing Cover | 1 | 1 | 1 | 1 | 1 | 1 | |
| 44 | JL-05/01 | LED照明灯 | LED Lighting | 1 | 1 | 1 | 1 | 1 | 1 | |
| 45 | 01-50300821-1 | 圆柱头一字螺钉 | Screw | 2 | 2 | 2 | 2 | 2 | 2 | |
| 46 | 260.26-03A | 护目镜 | Light Goggles | 1 | 1 | 1 | 1 | 1 | 1 | |



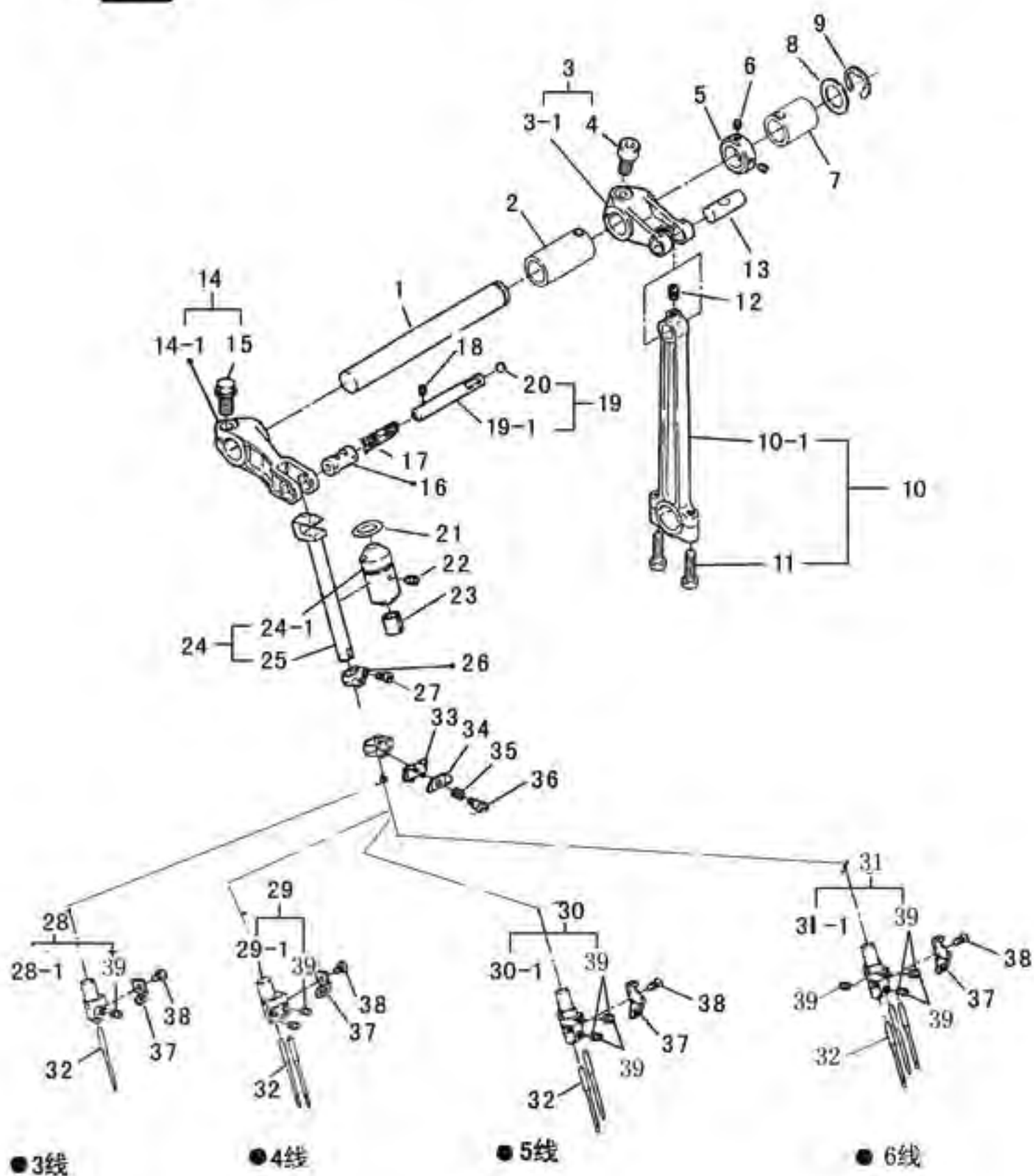
3. 密封部分(2)

| 序号 | 图号 | 名称 | | 3 线 | 4 线 | 5 线 | 5 宽 | 5 厚 | 6 线 | 备注 |
|----|----------------|-----------|--------------------------------|--------|--------|--------|--------|--------|--------|----|
| | | 中文 | 英文 | | | | | | | |
| 1 | 201.03-01 | 后盖板组件 | Rear Cover ASM | 1 | 1 | 1 | 1 | 1 | 1 | |
| 2 | 01-504001021-1 | 后盖板螺钉 | Screw | 4 | 4 | 4 | 4 | 4 | 4 | |
| 3 | 260.03-03 | 左上盖 | Cover | 1 | 1 | 1 | 1 | 1 | 1 | |
| 4 | 01-704000821-1 | 左上盖固定螺钉 | Screw | 5 | 5 | 5 | 5 | 5 | 5 | |
| 5 | 22-08003010 | 橡胶塞 | RUBber Stopper | 1 | 1 | 1 | 1 | 1 | 1 | |
| 6 | 260.29-06 | 后盖板 | Rear Cover | 1 | 1 | 1 | 1 | 1 | 1 | |
| 7 | 201.03-12 | 防护板 | protective board | 1 | 1 | 1 | 1 | 1 | 1 | |
| 8 | 01-104000721-1 | 防护板固定螺钉 | Setscrew | 2 | 2 | 2 | 2 | 2 | 2 | |
| 9 | 201.03-14 | 压板 | Pressure Board | 1 | 1 | 1 | 1 | 1 | 1 | |
| 10 | 01-535000421-1 | 防护板压板固定螺钉 | Screw | 1 | 1 | 1 | 1 | 1 | 1 | |
| 11 | 201.03-16 | 防震塞 | Rubber Cushion | 3 | 3 | 3 | 3 | 3 | 3 | |
| 12 | 201.03-22G | 缝台组件 | Cloth Base ASM | 1 | 1 | 1 | 1 | 1 | 1 | |
| 13 | 01-804000414-1 | 缝台转动轴固定螺钉 | Screw | 1 | 1 | 1 | 1 | 1 | 1 | |
| 14 | 201.03-24 | 缝台转动轴套 | Eccentric Bushing | 1 | 1 | 1 | 1 | 1 | 1 | |
| 15 | 08-0700311-1 | 波形弹性垫圈 | Cushion | 1 | 1 | 1 | 1 | 1 | 1 | |
| 16 | 201.03-08 | 台螺钉 | Screw | 1 | 1 | 1 | 1 | 1 | 1 | |
| 17 | 201.03-30G1 | 缝台下罩壳组件 | Cloth Base Lower Cover ASM | 1 | 1 | 1 | 1 | 1 | 1 | |
| 18 | 05-043201350-1 | 下罩壳垫圈 | Lower Cover Gasket | 2 | 2 | 2 | 2 | 2 | 2 | |
| 19 | 01-404000623-1 | 下罩壳固定螺钉A | Lower Cover Setscrew | 2 | 2 | 2 | 2 | 2 | 2 | |
| 20 | 01-404002023-1 | 下罩壳固定螺钉B | Setscrew | 1 | 1 | 1 | 1 | 1 | 1 | |
| 21 | 07-0421111-1 | 弹簧垫圈 | Cushion | 1 | 1 | 1 | 1 | 1 | 1 | |
| 22 | 01-503000421-1 | 下罩壳压板螺钉 | Pressure Board Screw | 1 | 1 | 1 | 1 | 1 | 1 | |
| 23 | 201.03-34 | 下罩壳压板 | Lower Sover Pressure Board | 1 | 1 | 1 | 1 | 1 | 1 | |
| 24 | 201.03-29 | 缝台闸固定螺钉 | Screw | 1 | 1 | 1 | 1 | 1 | 1 | |
| 25 | 201.03-28 | 缝台闸弹簧 | Cloth Base Switch-type Spring | 1 | 1 | 1 | 1 | 1 | 1 | |
| 26 | 201.03-27 | 缝台闸 | Cloth Base Switch-type Stopper | 1 | 1 | 1 | 1 | 1 | 1 | |
| 27 | 201.03-26 | 缝台闸固定板 | Fix Board | 1 | 1 | 1 | 1 | 1 | 1 | |
| 28 | 03-604000320-1 | 调节螺母 | Adjusting Nut | 1 | 1 | 1 | 1 | 1 | 1 | |
| 29 | 01-404001023-1 | 调节螺钉 | Adjusting Screw | 1 | 1 | 1 | 1 | 1 | 1 | |
| 30 | 201.03-19 | 导布板连接螺钉 | Screw | 2 | 2 | 2 | 2 | 2 | 2 | |
| 31 | 01-404000623-1 | 导布板紧固螺钉 | Setscrew | 2 | 2 | 2 | 2 | 2 | 2 | |
| 32 | 201.03-21A | 导布板组件 | Cloth Guide Board ASM | 1 | 1 | 1 | 1 | 1 | 1 | |
| 33 | 01-504001021-1 | 圆柱头一字螺钉 | Screw | 4 | 4 | 4 | 4 | 4 | 4 | |



4. 主轴传动部分

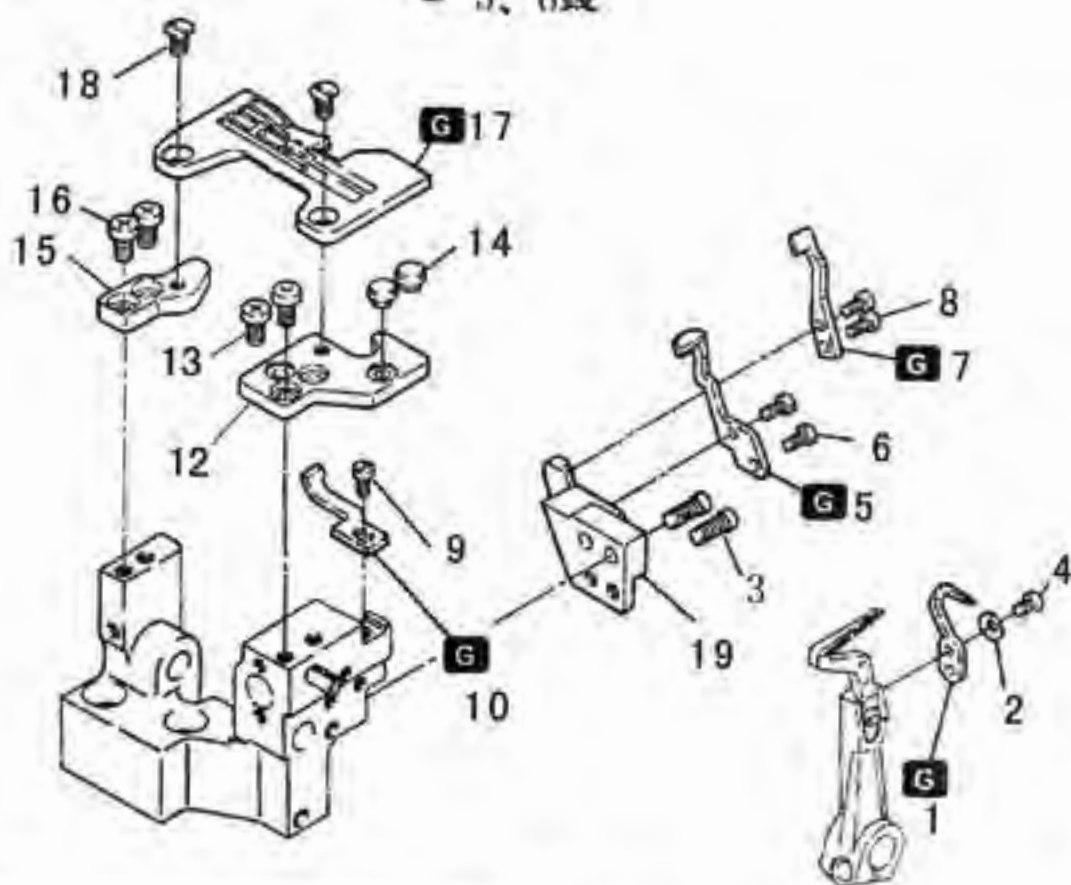
| 序号 | 图号 | 名称 | | 3 线 | 4 线 | 5 线 | 5 宽 | 5 厚 | 6 线 | 备注 |
|-----|----------------|-----------|-----------------------------|--------|--------|--------|--------|--------|--------|----|
| | | 中文 | 英文 | | | | | | | |
| 1 | 201.04-01G | 轴承座组件 | Bearing Base ASM | 1 | 1 | | | | | |
| | 203.04-01G | 轴承座组件 | Bearing Base ASM | | | 1 | 1 | 1 | 1 | |
| 1-1 | 201.04-01G-01 | 轴承盖密封垫 | Bearing oil seal gasket | 1 | 1 | | | | | |
| | 203.04-01G-01 | 轴承盖密封垫 | Bearing oil seal gasket | | | 1 | 1 | 1 | 1 | |
| 1-2 | 12-387265 | O型圈 | O-ring | 1 | 1 | 1 | 1 | 1 | 1 | |
| 2 | 01-404000823-1 | 轴承座固定螺钉A | Setscrew A | 3 | 3 | | | | | |
| 3 | 01-104001021-1 | 轴承座固定螺钉B | Setscrew B | | | 2 | 2 | 2 | 2 | |
| 4 | 01-404001023-1 | 轴承座固定螺钉A | Setscrew A | | | 1 | 1 | 1 | 1 | |
| 5 | 260.04-05 | 轴承组件 | Crankshaft Ball Bearing ASM | 1 | 1 | 1 | 1 | 1 | 1 | |
| 5-1 | 14-6202-2Z/1 | 轴承 | Crankshaft Ball Bearing | (1) | (1) | (1) | (1) | (1) | (1) | |
| 6 | 201.04-05-2 | 轴承套(外齿) | Shaft Bushing | (1) | (1) | (1) | (1) | (1) | (1) | |
| 7 | 01-805001014-1 | 轴承紧套紧定螺钉A | Setscrew A | (1) | (1) | (1) | (1) | (1) | (1) | |
| 8 | 01-805000514-1 | 轴承紧套紧定螺钉B | Setscrew B | (1) | (1) | (1) | (1) | (1) | (1) | |
| 9 | 201.04-09 | 主轴端螺钉 | Screw | 1 | 1 | | | | | |
| | 203.04-09 | 凸轮轴 | Cam Shaft | | | 1 | 1 | 1 | | |
| 10 | 209.04-00 | 主轴组件 | Mainshaft Components | 1 | | | | | | |
| | 210.04-00 | 主轴组件 | Mainshaft Components | | 1 | | | | | |
| | 211.04-00 | 主轴组件 | Mainshaft Components | | | 1 | 1 | | 1 | |
| | 212.04-10 | 主轴组件 | Mainshaft Components | | | | | 1 | | |
| 11 | 201.04-14 | 主轴中轴套 | Mainshaft Bushing | 1 | 1 | 1 | 1 | 1 | 1 | |
| 12 | 201.04-12 | 主轴平衡块 | Mainshaft Balance Block | 2 | 2 | 2 | 2 | 2 | 2 | |
| 13 | 01-503000821-1 | 主轴平衡块固定螺钉 | Setscrew | 4 | 4 | 4 | 4 | 4 | 4 | |
| 14 | 102.11-41 | 步进电机垫片 | Motor Washer | 1 | 1 | 1 | 1 | 1 | 1 | |
| 15 | 201.04-15 | 制动环 | braking Ring | 1 | 1 | 1 | 1 | 1 | 1 | |
| 16 | 201.04-16 | 单列向心球滚珠轴承 | Crankshaft Ball Bearing | 1 | 1 | 1 | 1 | 1 | 1 | |
| 17 | 201.04-18 | 油量销 | Oil Adjusting Bar | 1 | 1 | 1 | 1 | 1 | 1 | |
| 18 | 102.02-21 | 油封 | Oil Seal | 1 | 1 | 1 | 1 | 1 | 1 | |
| 19 | 01-806000814-1 | 连轴器(1)螺钉 | Screw | 3 | 3 | 3 | 3 | 3 | 3 | |
| 20 | 102.02-44 | 连轴器(1) | Linker(1) | 1 | 1 | 1 | 1 | 1 | 1 | |
| 21 | 102.02-45 | 连轴器橡胶圈 | Rubber Ring | 1 | 1 | 1 | 1 | 1 | 1 | |
| 22 | 102.02-20 | 轴承 | Bearing | 1 | 1 | 1 | 1 | 1 | 1 | |
| 23 | 210.04-28 | 轴承衬套 | Washer | 1 | 1 | 1 | 1 | 1 | 1 | |
| 24 | 102.02-48 | 连轴器(2) | Linker(2) | 1 | 1 | 1 | 1 | 1 | 1 | |
| 25 | 01-806000614-1 | 连轴器(2)螺钉 | Screw | 3 | 3 | 3 | 3 | 3 | 3 | |
| 26 | 210.04-33 | 直驱电机 | Motor Asm | 1 | 1 | 1 | 1 | 1 | 1 | |
| 27 | 01-505001624-1 | 直驱电机螺钉 | Screw | 4 | 4 | 4 | 4 | 4 | 4 | |
| 28 | 210.04-27 | 手轮 | Hand Wheel | 2 | 2 | 2 | 2 | 2 | 2 | |
| 29 | 01-806000614-4 | 手轮螺钉 | Screw | 4 | 4 | 4 | 4 | 4 | 4 | |
| 30 | 05-056101000-4 | 平垫片 | Washer | 4 | 4 | 4 | 4 | 4 | 4 | |
| 31 | 07-0521313-1 | 弹簧垫片 | Spring Washer | 4 | 4 | 4 | 4 | 4 | 4 | |
| 32 | 02-815281014-1 | 手轮螺钉 | Screw | 2 | 2 | 2 | 2 | 2 | 2 | |
| 33 | 103.13-107 | 磁钢座组件 | Magnet Block | 1 | 1 | 1 | 1 | 1 | 1 | |
| 34 | 18-404000823-3 | 三组合螺钉 | Screw | 1 | 1 | 1 | 1 | 1 | 1 | |
| 35 | 210.04-27G | 手轮组件3# | Hand Wheel ASM 3# | 1 | 1 | 1 | 1 | 1 | 1 | |



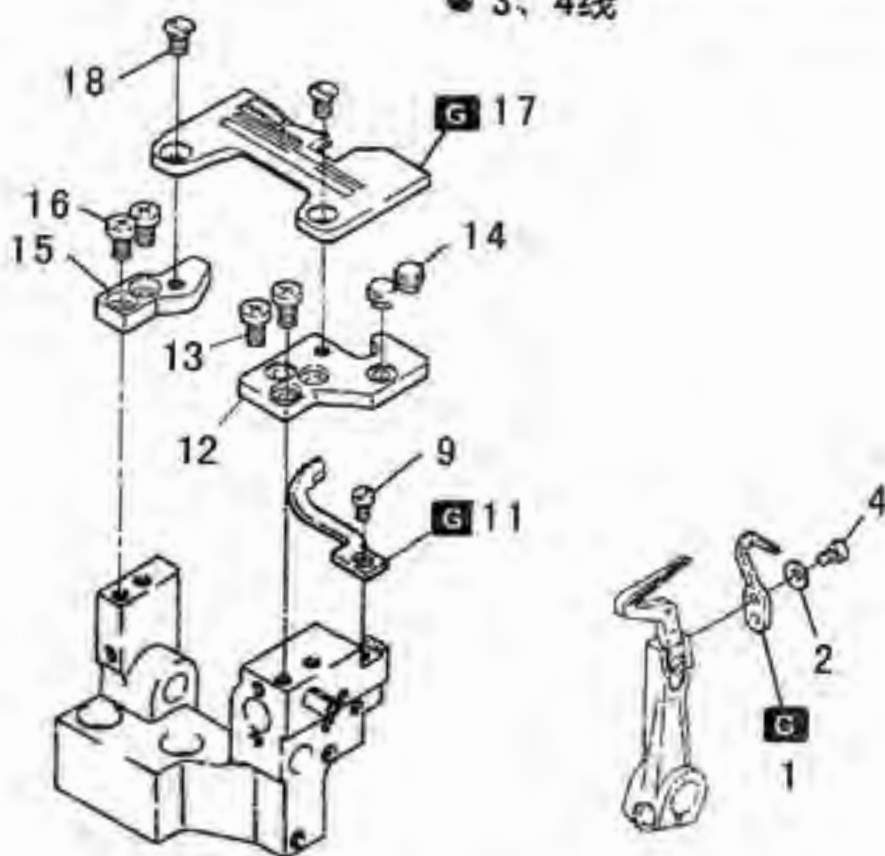
5. 针杆传动部分

| 序号 | 图号 | 名称 | | 3 线 | 4 线 | 5 线 | 5 宽 | 5 厚 | 6 线 | 备注 |
|------|----------------|-----------------------|-------------------------------------|--------|--------|--------|--------|--------|--------|----|
| | | 中文 | 英文 | | | | | | | |
| 1 | 201.05-01 | 针杆传动轴 | Needle Rod Transmit Shaft | 1 | 1 | 1 | 1 | 1 | 1 | |
| 2 | 201.05-02 | 机针传动轴前套筒 | Front Bushing | 1 | 1 | 1 | 1 | 1 | 1 | |
| 3 | 201.05-03 | 机针传动轴曲柄组件 | Needle Rod Transmit Shaft Crank ASM | 1 | 1 | 1 | 1 | 1 | 1 | |
| 3-1 | 201.05-03-01 | 机针传动轴曲柄 | Needle Rod Transmit Shaft Crank | (1) | (1) | (1) | (1) | (1) | (1) | |
| 4 | 01-506751224-1 | 机针传动轴曲柄螺钉 | Screw | (1) | (1) | (1) | (1) | (1) | (1) | |
| 5 | 201.05-05 | 轴箍 | Thrust Collar | 1 | 1 | 1 | 1 | 1 | 1 | |
| 6 | 01-804000414-1 | 挡圈紧定螺钉 | Setscrew | 2 | 2 | 2 | 2 | 2 | 2 | |
| 7 | 201.05-07 | 机针传动轴后套筒 | Rear Bushing | 1 | 1 | 1 | 1 | 1 | 1 | |
| 8 | 201.05-08 | 铜垫片 | Copper Spacer | 1 | 1 | 1 | 1 | 1 | 1 | |
| 9 | 06-0800816-1 | 卡簧 | E-spring | 1 | 1 | 1 | 1 | 1 | 1 | |
| 10 | 201.05-10 | 针杆连杆组件 | Connecting Rod ASM | 1 | 1 | 1 | 1 | 1 | 1 | |
| 10-1 | 201.05-10-01 | 针杆连杆 | Connecting Rod | (1) | (1) | (1) | (1) | (1) | (1) | |
| 11 | 01-404001623-1 | 针杆连杆螺钉 | Connecting Rod Screw | (2) | (2) | (2) | (2) | (2) | (2) | |
| 12 | 01-804000614-1 | 机针传动连杆紧定螺钉 | Connecting Rod Setscrew | 1 | 1 | 1 | 1 | 1 | 1 | |
| 13 | 201.05-13 | 销轴 | Feed Branch Crank Pin | 1 | 1 | 1 | 1 | 1 | 1 | |
| 14 | 201.05-14 | 针杆曲柄组件 | Needle Rod Crank ASM | 1 | 1 | 1 | 1 | 1 | 1 | |
| 14-1 | 201.05-14-01 | 针杆曲柄 | Needle Rod Crank | (1) | (1) | (1) | (1) | (1) | (1) | |
| 15 | 01-706751225-1 | 针杆传动摆杆螺钉 | Screw | (1) | (1) | (1) | (1) | (1) | (1) | |
| 16 | 201.05-16G | 针杆连接销 | Needle Driving ASM Pin | 1 | 1 | 1 | 1 | 1 | 1 | |
| 17 | 201.05-17 | 油线 $\phi 3 \times 34$ | Oil Wick | 1 | 1 | 1 | 1 | 1 | 1 | |
| 18 | 01-804000414-1 | 紧定螺钉 | Setscrew | 1 | 1 | 1 | 1 | 1 | 1 | |
| 19 | 201.05-19 | 油管组件 | Oil Pipe ASM | 1 | 1 | 1 | 1 | 1 | 1 | |
| 19-1 | 201.05-19-01 | 油管 | Oil Pipe | (1) | (1) | (1) | (1) | (1) | (1) | |
| 20 | 201.05-19-02 | 钢珠 $\phi 4$ | Steel Ball | (1) | (1) | (1) | (1) | (1) | (1) | |
| 21 | 12-115150 | O型圈 | O-ring | 1 | 1 | 1 | 1 | 1 | 1 | |
| 22 | 01-804000544-1 | 针杆套螺钉 | Needle Rod Collar Screw | 1 | 1 | 1 | 1 | 1 | 1 | |
| 23 | 201.05-23 | 毛毡 | Felt | 1 | 1 | 1 | 1 | 1 | 1 | |
| 24 | 201.05-24 | 针杆组件 | Needle Rod ASM | 1 | 1 | 1 | 1 | 1 | 1 | |
| 24-1 | 201.05-24-01 | 针杆轴套 | Needle Rod Collar | (1) | (1) | (1) | (1) | (1) | (1) | |
| 25 | 201.05-24-02 | 针杆 | Needle Rod | (1) | (1) | (1) | (1) | (1) | (1) | |
| 26 | 201.05-26 | 拦线板支架 | Needle Thread Presser Guide | 1 | 1 | 1 | 1 | 1 | 1 | |
| 27 | 01-903000621-1 | 固定螺钉 | Setscrew | 1 | 1 | 1 | 1 | 1 | 1 | |
| 28 | 201.05-28 | 针夹组件 | Needle Clamp ASM | 1 | | | | | | |
| 28-1 | 201.05-28-01 | 针夹 | Needle Clamp | (1) | | | | | | |
| 29 | 202.05-29 | 针夹组件 | Needle Clamp ASM | | 1 | | | | | |
| 29-1 | 202.05-29-01 | 针夹 | Needle Clamp | | (1) | | | | | |
| 30 | 203.05-30 | 针夹组件 | Needle Clamp ASM | | | 1 | | | | |
| 30-1 | 203.05-30-01 | 针夹 | Needle Clamp | | | (1) | | | | |
| 30 | 204.05-30 | 针夹组件 | Needle Clamp ASM | | | | | 1 | | |
| 30-1 | 204.05-30-01 | 针夹 | Needle Clamp | | | | | (1) | | |
| 30 | 205.05-30 | 针夹组件 | Needle Clamp ASM | | | | 1 | | | |
| 30-1 | 205.05-30-01 | 针夹 | Needle Clamp | | | | (1) | | | |
| 31 | 206.05-30 | 针夹组件 | Needle Clamp ASM | | | | | | 1 | |
| 31-1 | 206.05-30-01 | 针夹 | Needle Clamp | | | | | | (1) | |
| 32 | 201.05-32G | 机针 (DC×27#11) | Needle | 1 | 2 | | | | | |
| | 203.05-32 | 机针 (DC×27#14) | Needle | | | 2 | 2 | | 3 | |
| | 204.05-32 | 机针 (DC×27#21) | Needle | | | | | 2 | | |
| 33 | 201.05-33 | 拦线板 (A) | Needle Thread Presser Guide (A) | 1 | 1 | 1 | 1 | 1 | 1 | |
| 34 | 201.05-34 | 拦线板 (B) | Needle Thread Presser Guide (B) | 1 | 1 | 1 | 1 | 1 | 1 | |
| 35 | 201.05-35 | 拦线板弹簧 | Needle Thread Presser Spring | 1 | 1 | 1 | 1 | 1 | 1 | |
| 36 | 201.05-36 | 拦线板紧固螺钉 | Hinge Screw | 1 | 1 | 1 | 1 | 1 | 1 | |
| 37 | 201.05-37 | 机针穿线片 | Needle Thread Guide Base | 1 | | | | | | |
| | 202.05-37 | 机针穿线片 | Needle Thread Guide Base | | 1 | | | | | |
| | 203.05-37 | 机针穿线片 | Needle Thread Guide Base | | | 1 | 1 | | 1 | |
| | 204.05-37 | 机针穿线片 | Needle Thread Guide Base | | | | | 1 | | |
| 38 | 01-102000521-1 | 机针穿线片紧固螺钉 | Setscrew | | | 1 | 1 | 1 | 1 | |
| | 01-502000321-1 | 机针穿线片紧固螺钉 | Setscrew | 1 | 1 | | | | | |
| 39 | 01-803000314-1 | 针夹螺钉 | Needle Clamp Screw | (1) | (2) | (2) | (2) | (2) | (3) | |

● 5、6线

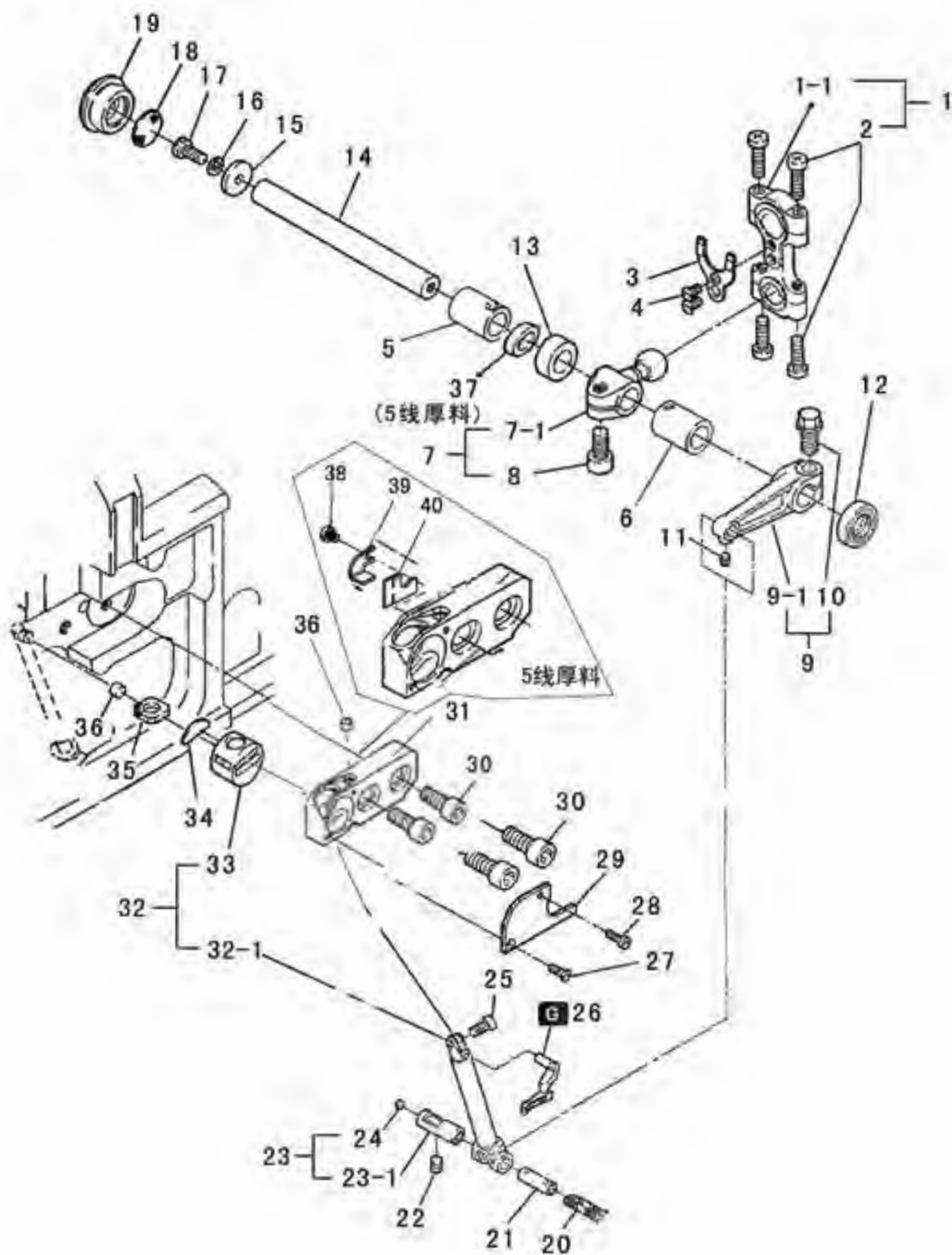


● 3、4线



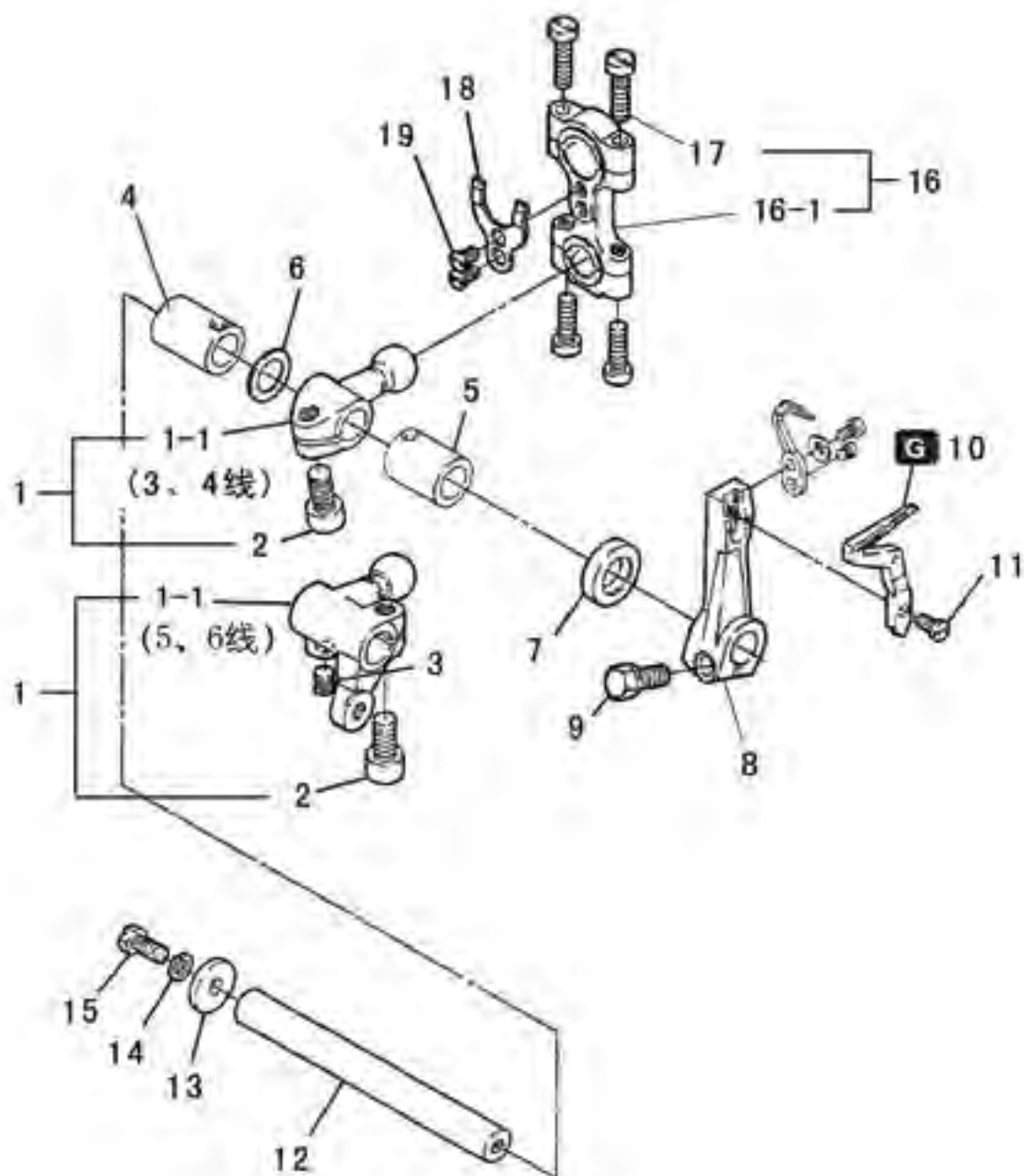
6. 针板部分

| 序号 | 图号 | 名称 | | 3 线 | 4 线 | 5 线 | 5 宽 | 5 厚 | 6 线 | 备注 |
|----|----------------|--------------|--------------------------------|--------|--------|--------|--------|--------|--------|----|
| | | 中文 | 英文 | | | | | | | |
| 1 | 201.06-01 | 主直针后护针板 | Lower Looper | 1 | 1 | 1 | 1 | 1 | 1 | |
| 2 | 09-0330507-1 | 主直针后护针板垫片 | Lower Looper Gasket | 1 | 1 | 1 | 1 | 1 | 1 | |
| 3 | 01-904001021-1 | 护针板座螺钉 | Screw | | | 2 | 2 | 2 | 2 | |
| 4 | 01-703000521-1 | 主直针后护针板螺钉(B) | Lower Looper Screw (B) | 1 | 1 | 1 | 1 | 1 | 1 | |
| 5 | 203.06-05 | 链直针后护针板 | Roar Needle Guard | | | 1 | 1 | 1 | 1 | |
| 6 | 01-503000621-1 | 链直针后护针板螺钉 | Screw | | | 2 | 2 | 2 | 2 | |
| 7 | 203.06-07 | 主直针前护针板 | Front Needle Guard | | | 1 | 1 | 1 | 1 | |
| 8 | 01-503000621-1 | 主直针前护针板螺钉 | Screw | | | 2 | 2 | 2 | 2 | |
| 9 | 01-504000821-1 | 主直针前护针板螺钉 | Screw | 1 | 1 | 1 | 1 | 1 | 1 | |
| 10 | 203.06-10 | 链针前护针板 | Needle Guard | | | 1 | 1 | 1 | 1 | |
| 11 | 201.06-11 | 主针前护针板 | Thread Guide Upper | 1 | 1 | | | | | |
| 12 | 201.06-12 | 针板座 | Needle Plate Base | 1 | 1 | 1 | 1 | 1 | 1 | |
| 13 | 01-404000823-1 | 针板座螺钉 | Screw | 2 | 2 | 2 | 2 | 2 | 2 | |
| 14 | 201.03-16 | 防震塞 | Rubber Cushion | 2 | 2 | 2 | 2 | 2 | 2 | |
| 15 | 201.06-15 | 针板定位块 | Needle Plate Positioning Block | 1 | 1 | 1 | 1 | 1 | 1 | |
| 16 | 01-404000823-1 | 针板定位块螺钉 | Screw | 2 | 2 | 2 | 2 | 2 | 2 | |
| 17 | 201.06-17 | 针板 | Needle Plate | 1 | | | | | | |
| | 202.06-17 | 针板 | Needle Plate | | 1 | | | | | |
| | 203.06-17 | 针板 | Needle Plate | | | 1 | | | | |
| | 204.06-17 | 针板 | Needle Plate | | | | 1 | | | |
| | 205.06-17 | 针板 | Needle Plate | | | | | 1 | | |
| | 206.06-17 | 针板 | Needle Plate | | | | | | 1 | |
| 18 | 01-204000821-2 | 针板螺钉 | Screw | 2 | 2 | 2 | 2 | 2 | 2 | |
| 19 | 203.06-19 | 护针板座 | Needle Guard Plate Base | | | 1 | 1 | 1 | 1 | |



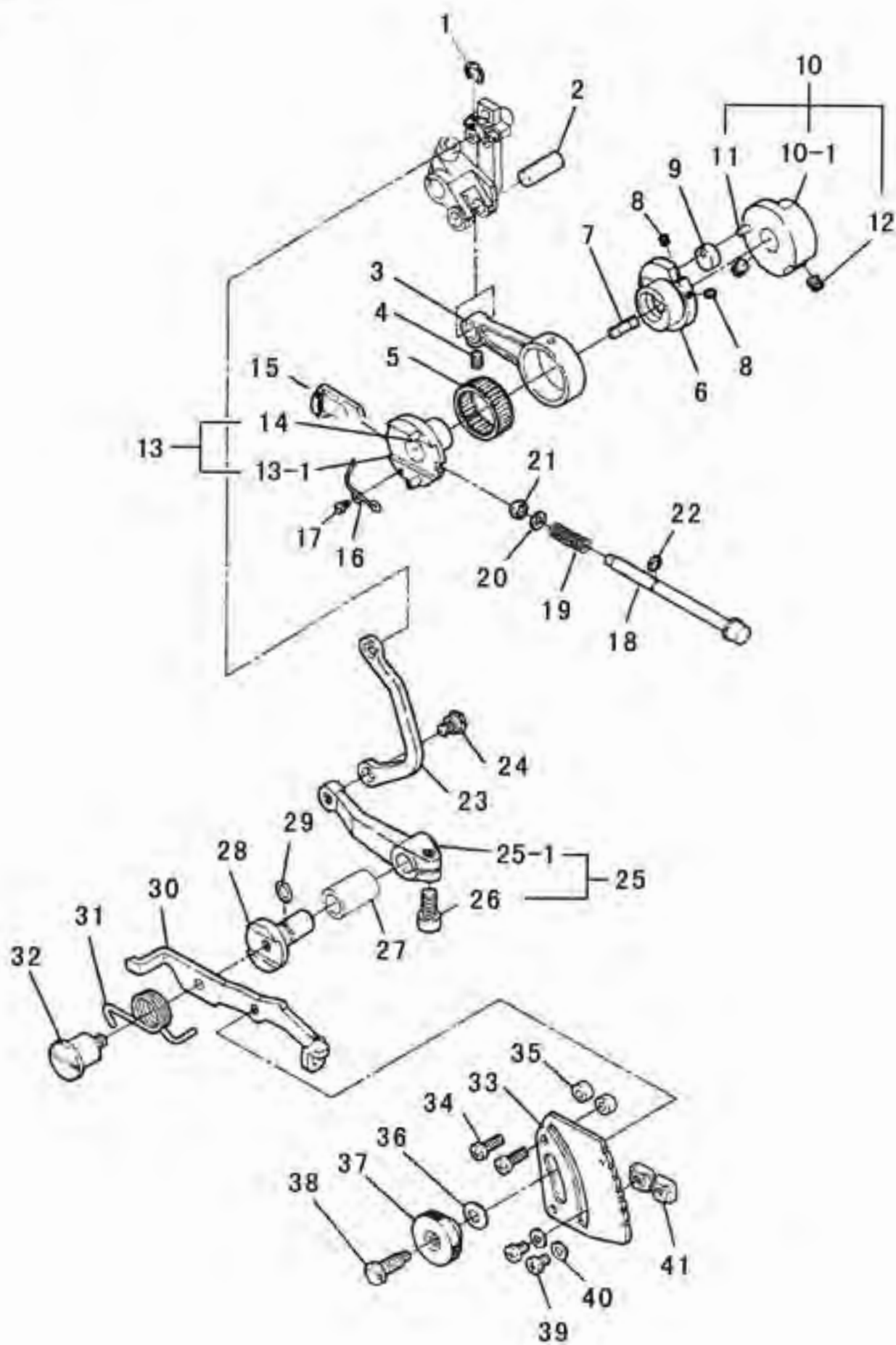
7. 上弯针传动部分

| 序号 | 图号 | 名称 | | 3 线 | 4 线 | 5 线 | 5 宽 | 5 厚 | 6 线 | 备注 |
|------|----------------|----------|---------------------------------|--------|--------|--------|--------|--------|--------|----|
| | | 中文 | 英文 | | | | | | | |
| 1 | 201.07-01 | 弯针球连杆组件 | Looper Ball Connecting Rod ASM | 1 | 1 | 1 | 1 | 1 | 1 | |
| 1-1 | 201.07-01-01 | 弯针球连杆 | Looper Ball Connecting Rod | (1) | (1) | (1) | (1) | (1) | (1) | |
| 2 | 01-404001623-1 | 弯针球连杆螺钉 | Screw | (4) | (4) | (4) | (4) | (4) | (4) | |
| 3 | 201.07-03 | 防震片 | Rubber Cushion | 1 | 1 | 1 | 1 | 1 | 1 | |
| 4 | 01-103000621-1 | 螺钉 | Screw | 2 | 2 | 2 | 2 | 2 | 2 | |
| 5 | 201.07-05 | 上弯针轴后轴套 | Upper Looper Shaft Rear Bushing | 1 | 1 | 1 | 1 | 1 | 1 | |
| 6 | 201.07-06 | 弯针轴前轴套 | Looper Shaft Front Bushing | 1 | 1 | 1 | 1 | 1 | 1 | |
| 7 | 201.07-07 | 上弯针球曲柄组件 | Upper Looper Ball Crank ASM | 1 | | | | | | |
| 7-1 | 201.07-07-01 | 上弯针球曲柄 | Upper Looper Ball Crank | (1) | | | | | | |
| 7 | 202.07-07 | 上弯针球曲柄组件 | Upper Looper Ball Crank ASM | | 1 | 1 | 1 | 1 | 1 | |
| 7-1 | 202.07-07-01 | 上弯针球曲柄 | Upper Looper Ball Crank | | (1) | (1) | (1) | (1) | (1) | |
| 8 | 01-506751224-1 | 上弯针球曲柄螺钉 | Upper Looper Ball Crank Screw | (1) | (1) | (1) | (1) | (1) | (1) | |
| 9 | 201.07-09 | 摇杆曲柄组件 | Upper Looper Arm ASM | 1 | 1 | 1 | 1 | 1 | 1 | |
| 9-1 | 201.07-09-01 | 摇杆曲柄 | Upper Looper Arm | (1) | (1) | (1) | (1) | (1) | (1) | |
| 10 | 01-706751225-1 | 螺钉 | Screw | (1) | (1) | (1) | (1) | (1) | (1) | |
| 11 | 01-803000444-1 | 连杆销固定螺钉 | Setscrew | 1 | 1 | 1 | 1 | 1 | 1 | |
| 12 | 13-09540190 | 油封 | Oil Seal | 1 | 1 | 1 | 1 | 1 | 1 | |
| 13 | 201.07-13 | 挡圈 | Stopping Gasket | 1 | | 1 | 1 | 1 | | |
| | 202.07-13 | 挡圈 | Stopping Gasket | | 1 | | | | 1 | |
| 14 | 201.07-14 | 弯针轴 | Looper Shaft | 1 | 1 | 1 | 1 | 1 | 1 | |
| 15 | 05-053201452-5 | 弯针轴垫片 | Looper Shaft Washer | 1 | 1 | 1 | 1 | 1 | 1 | |
| 16 | 07-0521313-1 | 弹簧垫圈 | Spring Washer | 1 | 1 | 1 | 1 | 1 | 1 | |
| 17 | 01-705001021-1 | 六角头开槽螺钉 | Screw | 1 | 1 | 1 | 1 | 1 | 1 | |
| 18 | 201.07-18 | 防油片 | Oil Proof Spacer | 1 | 1 | 1 | 1 | 1 | 1 | |
| 19 | 201.07-19 | 橡胶帽 | Rubber Cap | 1 | 1 | 1 | 1 | 1 | 1 | |
| 20 | 201.07-20 | 油线 | Oil Thread | 1 | 1 | 1 | 1 | 1 | 1 | |
| 21 | 201.07-21 | 连杆销轴 | Gauge Fixing Pin | 1 | 1 | 1 | 1 | 1 | 1 | |
| 22 | 01-804000414-1 | 机壳销紧定螺钉 | Setscrew | 1 | 1 | 1 | 1 | 1 | 1 | |
| 23 | 201.07-23 | 机壳销组件 | Pin Components | 1 | 1 | 1 | 1 | 1 | 1 | |
| 23-1 | 201.07-23-01 | 机壳销 | Machine Pin | (1) | (1) | (1) | (1) | (1) | (1) | |
| 24 | 201.07-23-02 | 钢球 | Steel Ball | (1) | (1) | (1) | (1) | (1) | (1) | |
| 25 | 01-935000621-1 | 上弯针紧定螺钉 | Setscrew | 1 | 1 | 1 | 1 | 1 | 1 | |
| 26 | 201.07-26 | 上弯针 | Upper Looper | 1 | | 1 | 1 | 1 | | |
| | 202.07-26 | 上弯针 | Upper Looper | | 1 | | | | 1 | |
| 27 | 01-125000621-1 | 挡板螺钉A | Screw A | 1 | 1 | 1 | 1 | 1 | 1 | |
| 28 | 01-525000821-1 | 挡板螺钉B | Screw B | 1 | 1 | 1 | 1 | 1 | 1 | |
| 29 | 201.07-29 | 摇杆座盖 | Upper Looper Gange Cover | 1 | 1 | 1 | 1 | 1 | 1 | |
| 30 | 01-506001624-1 | 上弯针滑杆座螺钉 | Screw | 2 | 2 | 2 | 2 | 2 | 2 | |
| 31 | 201.07-31 | 摇杆座 | Upper Looper Guide Support | 1 | 1 | 1 | 1 | | 1 | |
| | 204.07-31 | 摇杆座 | Upper Looper Guide Support | | | | | 1 | | |
| 32 | 201.07-32G | 摇杆组件 | Upper Looper Holder ASM | 1 | 1 | 1 | 1 | 1 | 1 | |
| 32-1 | 201.07-32-01 | 摇杆 | Upper Looper Holder | (1) | (1) | (1) | (1) | (1) | (1) | |
| 33 | 201.07-32-02 | 摆轴 | Thrust Collar | (1) | (1) | (1) | (1) | (1) | (1) | |
| 34 | 201.07-34 | 月牙毛毡 | Crescent Moon Felt | 1 | 1 | 1 | 1 | 1 | 1 | |
| 35 | 201.07-35 | 油毡 | Felt | 1 | 1 | 1 | 1 | 1 | 1 | |
| 36 | 201.07-36 | 油塞 | Oil Plug | 2 | 2 | 2 | 2 | 2 | 2 | |
| 37 | 204.07-37 | 挡圈 | Stopping Gasket | | | | | 1 | | |
| 38 | 01-503000421-1 | 螺钉M3X4 | Screw | | | | | 1 | | |
| 39 | 201.07-39 | 挡片 | Thrust | | | | | 1 | | |
| 40 | 201.07-40 | 毛毡 | Felt | | | | | 1 | | |



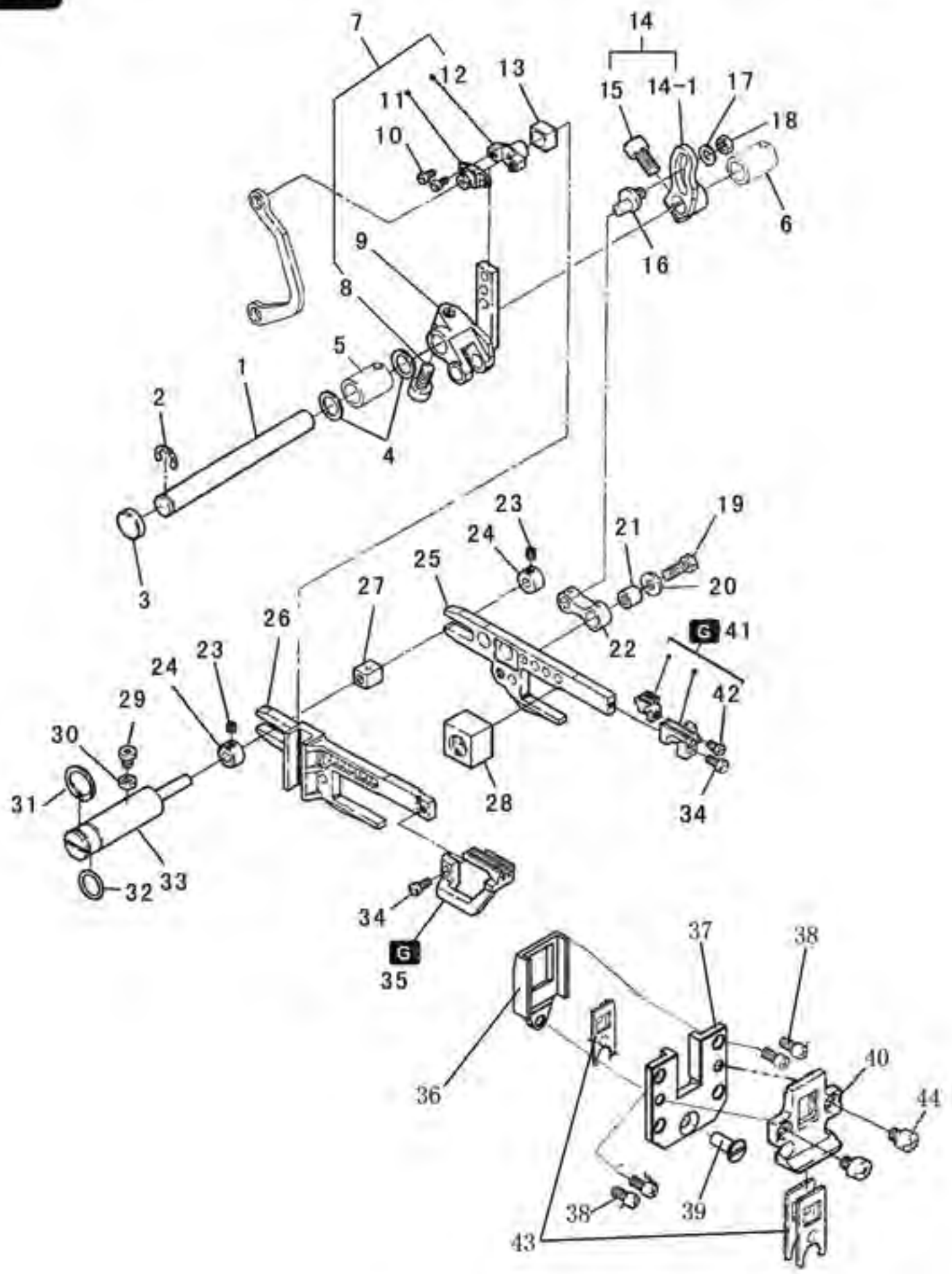
8. 下弯针传动部分

| 序号 | 图号 | 名称 | | 3 线 | 4 线 | 5 线 | 5 宽 | 5 厚 | 6 线 | 备注 |
|------|----------------|-------------|-------------------------------|--------|--------|--------|--------|--------|--------|----|
| | | 中文 | 英文 | | | | | | | |
| 1 | 201.08-01 | 下弯针球曲柄组件 | Lower Looper Ball Crank ASM | 1 | 1 | | | | | |
| 1-1 | 201.08-01-01 | 下弯针球曲柄 | Lower Looper Ball Crank | (1) | (1) | | | | | |
| 1 | 203.08-01 | 下弯针球曲柄组件 | Lower Looper Ball Crank ASM | | | 1 | 1 | 1 | 1 | |
| 1-1 | 203.08-01-01 | 下弯针球曲柄 | Lower Looper Ball Crank | | | (1) | (1) | (1) | (1) | |
| 2 | 01-506751224-1 | 下弯针球曲柄螺钉(A) | Screw (A) | (1) | (1) | (1) | (1) | (1) | (1) | |
| 3 | 01-805000514-1 | 下弯针球曲柄螺钉(B) | Screw (B) | | | 1 | 1 | 1 | 1 | |
| 4 | 201.07-06 | 弯针球曲柄后铜套 | Rear Copper Collar | 1 | 1 | 1 | 1 | 1 | 1 | |
| 5 | 201.07-06 | 弯针球曲柄前铜套 | Front Copper Collar | 1 | 1 | 1 | 1 | 1 | 1 | |
| 6 | 201.08-06 | 铜垫片 | Copper Gasket | 1 | 1 | | | | | |
| 7 | 13-09540190 | 油封 | Oil Seal | 1 | 1 | 1 | 1 | 1 | 1 | |
| 8 | 201.08-08A | 下弯针架 | Lower Looper Bracket | 1 | 1 | 1 | 1 | 1 | 1 | |
| 9 | 01-705001325-1 | 下弯针架固定螺钉 | Lower Looper Bracket Setscrew | 1 | 1 | 1 | 1 | 1 | 1 | |
| 10 | 201.08-10 | 下弯针 | Lower Looper | 1 | | 1 | 1 | 1 | 1 | |
| | 202.08-10 | 下弯针 | Lower Looper | | 1 | | | | | |
| 11 | 01-535000621-1 | 下弯针固定螺钉 | Lower Looper Setscrew | 1 | 1 | 1 | 1 | 1 | 1 | |
| 12 | 201.07-14 | 弯针轴 | Looper Shaft | 1 | 1 | 1 | 1 | 1 | 1 | |
| 13 | 05-053201452-5 | 弯针轴垫片 | Looper Shaft Gasket | 1 | 1 | 1 | 1 | 1 | 1 | |
| 14 | 07-0521313-1 | 弹簧垫圈 | Spring Washer | 1 | 1 | 1 | 1 | 1 | 1 | |
| 15 | 01-705001021-1 | 六角头开槽螺钉 | Screw | 1 | 1 | 1 | 1 | 1 | 1 | |
| 16 | 201.07-01 | 弯针球连杆组件 | Lopper Ball Rod Components | 1 | 1 | 1 | 1 | 1 | 1 | |
| 16-1 | 201.07-01-01 | 弯针球连杆 | Lopper Ball Rod | (1) | (1) | (1) | (1) | (1) | (1) | |
| 17 | 01-404001623-1 | 弯针球连杆螺钉 | Lopper Ball Rod Screw | (4) | (4) | (4) | (4) | (4) | (4) | |
| 18 | 201.07-03 | 防震片 | Rubber Cushion | 1 | 1 | 1 | 1 | 1 | 1 | |
| 19 | 01-103000621-1 | 螺钉 | Screw | 2 | 2 | 2 | 2 | 2 | 2 | |



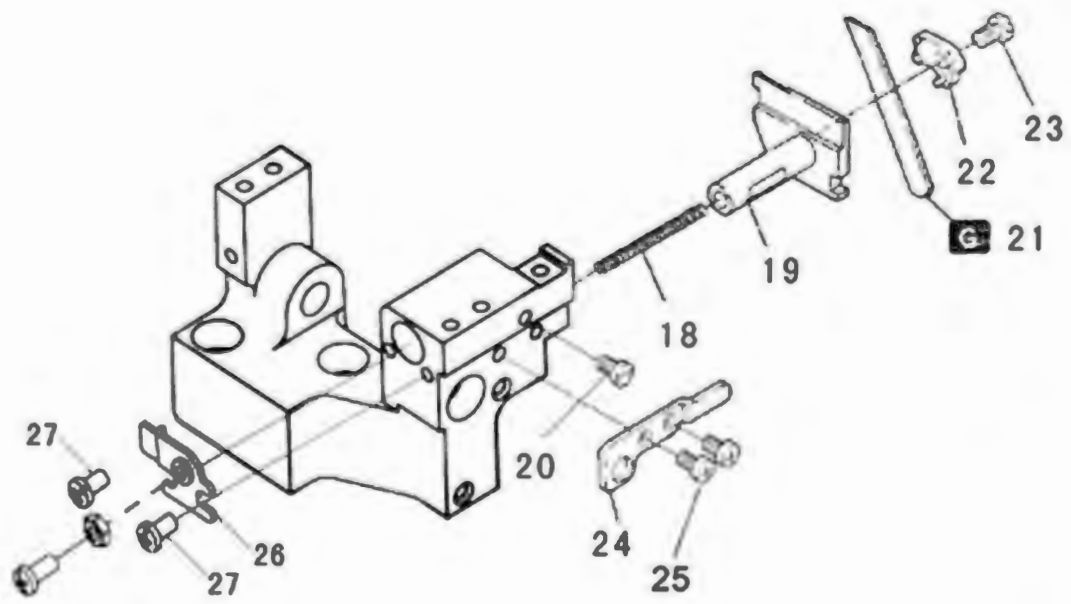
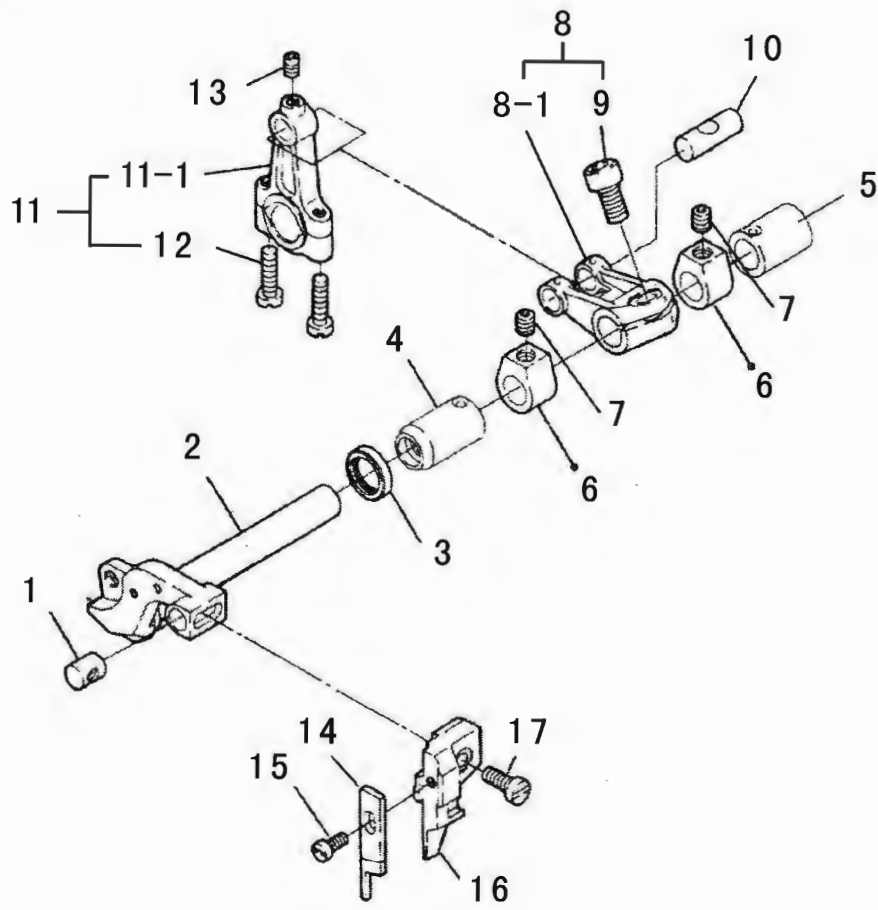
9. 针距调节部分

| 序号 | 图号 | 名称 | | 3 线 | 4 线 | 5 线 | 5 宽 | 5 厚 | 6 线 | 备注 |
|------|----------------|-----------|----------------------------|--------|--------|--------|--------|--------|--------|----|
| | | 中文 | 英文 | | | | | | | |
| 1 | 06-0600812-1 | 轴用挡圈 | Gasket | 1 | 1 | 1 | 1 | 1 | 1 | |
| 2 | 201.05-13 | 销轴 | Pin | 1 | 1 | 1 | 1 | 1 | 1 | |
| 3 | 201.09-03 | 送布连杆 | Feeding Connecting Rod | 1 | 1 | 1 | 1 | 1 | 1 | |
| 4 | 01-804000614-1 | 送布连杆紧固螺钉 | Setscrew | 1 | 1 | 1 | 1 | 1 | 1 | |
| 5 | 14-K222610 | 送布连杆滚针轴承 | Feeding Needle Bearing | 1 | 1 | 1 | 1 | 1 | 1 | |
| 6 | 201.09-06 | 针距凸轮 | Cam | 1 | 1 | 1 | 1 | 1 | 1 | |
| 7 | 201.09-07 | 弹簧片 | Spring | 1 | 1 | 1 | 1 | 1 | 1 | |
| 8 | 01-803000414-1 | 内六角紧定螺钉 | Hexagon Setscrew | 2 | 2 | 2 | 2 | 2 | 2 | |
| 9 | 201.09-09 | 针距凸轮滑块 | Cam Block | 1 | 1 | 1 | 1 | 1 | 1 | |
| 10 | 201.09-10 | 针距调节座组件 | Adjusting Base Components | 1 | 1 | 1 | 1 | 1 | 1 | |
| 10-1 | 201.09-10-01 | 针距调节座 | Adjusting Base | (1) | (1) | (1) | (1) | (1) | (1) | |
| 11 | 201.09-10-02 | 定位销 | Position Pin | (1) | (1) | (1) | (1) | (1) | (1) | |
| 12 | 01-805000514-1 | 针距调节座紧定螺钉 | Position Pin Setscrew | (2) | (2) | (2) | (2) | (2) | (2) | |
| 13 | 201.09-13 | 偏心轮组件 | Eccentric Wheel Components | 1 | 1 | 1 | 1 | 1 | 2 | |
| 13-1 | 201.09-13-01 | 偏心轮 | Eccentric Wheel | (1) | (1) | (1) | (1) | (1) | (1) | |
| 14 | 201.09-13-02 | 定位销 | Position Pin | (2) | (2) | (2) | (2) | (2) | (2) | |
| 15 | 201.09-15 | 内齿 | Inside Gear | 1 | 1 | 1 | 1 | 1 | 1 | |
| 16 | 201.09-16 | 弹簧 | Spring | 1 | 1 | 1 | 1 | 1 | 1 | |
| 17 | 201.09-17 | 压簧固定螺钉 | Setscrew | 1 | 1 | 1 | 1 | 1 | 1 | |
| 18 | 201.09-18 | 针距调节轴 | Ratio Adjusting Rod | 1 | 1 | 1 | 1 | 1 | 1 | |
| 19 | 201.09-19 | 差动调节簧 | Ratio Adjusting Spring | 1 | 1 | 1 | 1 | 1 | 1 | |
| 20 | 05-050050760-4 | 垫片 | Gasket | 1 | 1 | 1 | 1 | 1 | 1 | |
| 21 | 201.09-21 | 油封 | Oil Seal | 1 | 1 | 1 | 1 | 1 | 1 | |
| 22 | 06-0300607-1 | 开口挡圈 | E-ring | 1 | 1 | 1 | 1 | 1 | 1 | |
| 23 | 201.09-23 | 差动调节连杆 | Ratio Adjusting Rod | 1 | 1 | 1 | 1 | 1 | 1 | |
| 24 | 201.09-24 | 差动调节连杆螺钉 | Ratio Adjusting Rod Screw | 1 | 1 | 1 | 1 | 1 | 1 | |
| 25 | 201.09-25 | 差动调节曲柄组件 | Ratio Adjusting Crank ASM | 1 | 1 | 1 | 1 | 1 | 1 | |
| 25-1 | 201.09-25-01 | 差动调节曲柄 | Ratio Adjusting Crank | (1) | (1) | (1) | (1) | (1) | (1) | |
| 26 | 01-506751224-1 | 固定螺钉 | Setscrew | (1) | (1) | (1) | (1) | (1) | (1) | |
| 27 | 201.09-27 | 差动轴套 | Ratio Bushing | 1 | 1 | 1 | 1 | 1 | 1 | |
| 28 | 201.09-28 | 差动轴 | Ratio Shaft | 1 | 1 | 1 | 1 | 1 | 1 | |
| 29 | 12-060200 | O型圈 | O-ring | 1 | 1 | 1 | 1 | 1 | 1 | |
| 30 | 201.09-30 | 差动调节杠杆 | Ratio Adjusting Lever | 1 | 1 | 1 | 1 | 1 | 1 | |
| 31 | 201.09-31 | 差动扳手簧 | Ratio Spanner Spring | 1 | 1 | 1 | 1 | 1 | 1 | |
| 32 | 201.09-32 | 差动扳手固定螺钉 | Ratio Spanner Setscrew | 1 | 1 | 1 | 1 | 1 | 1 | |
| 33 | 201.09-33 | 针距调节指示板 | Adjusting Indicator | 1 | 1 | 1 | 1 | 1 | 1 | |
| 34 | 01-404001223-1 | 固定螺钉 | Setscrew | 2 | 2 | 2 | 2 | 2 | 2 | |
| 35 | 201.09-35 | 固定垫圈 | Spacer | 2 | 2 | 2 | 2 | 2 | 2 | |
| 36 | 09-0620513-1 | 弹性垫圈(碟形) | Elastic Spacer (Dish-Live) | 1 | 1 | 1 | 1 | 1 | 1 | |
| 37 | 201.09-37 | 差动调节螺母 | Ratio Adjusting Nut | 1 | 1 | 1 | 1 | 1 | 1 | |
| 38 | 201.09-38 | 差动调节螺钉 | Ratio Adjusting Screw | 1 | 1 | 1 | 1 | 1 | 1 | |
| 39 | 01-404000623-1 | 定位螺钉 | Setscrew | 2 | 2 | 2 | 2 | 2 | 2 | |
| 40 | 05-043080900-4 | 垫片 | Spacer | 2 | 2 | 2 | 2 | 2 | 2 | |
| 41 | 201.09-41 | 定位螺母 | Nut | 2 | 2 | 2 | 2 | 2 | 2 | |



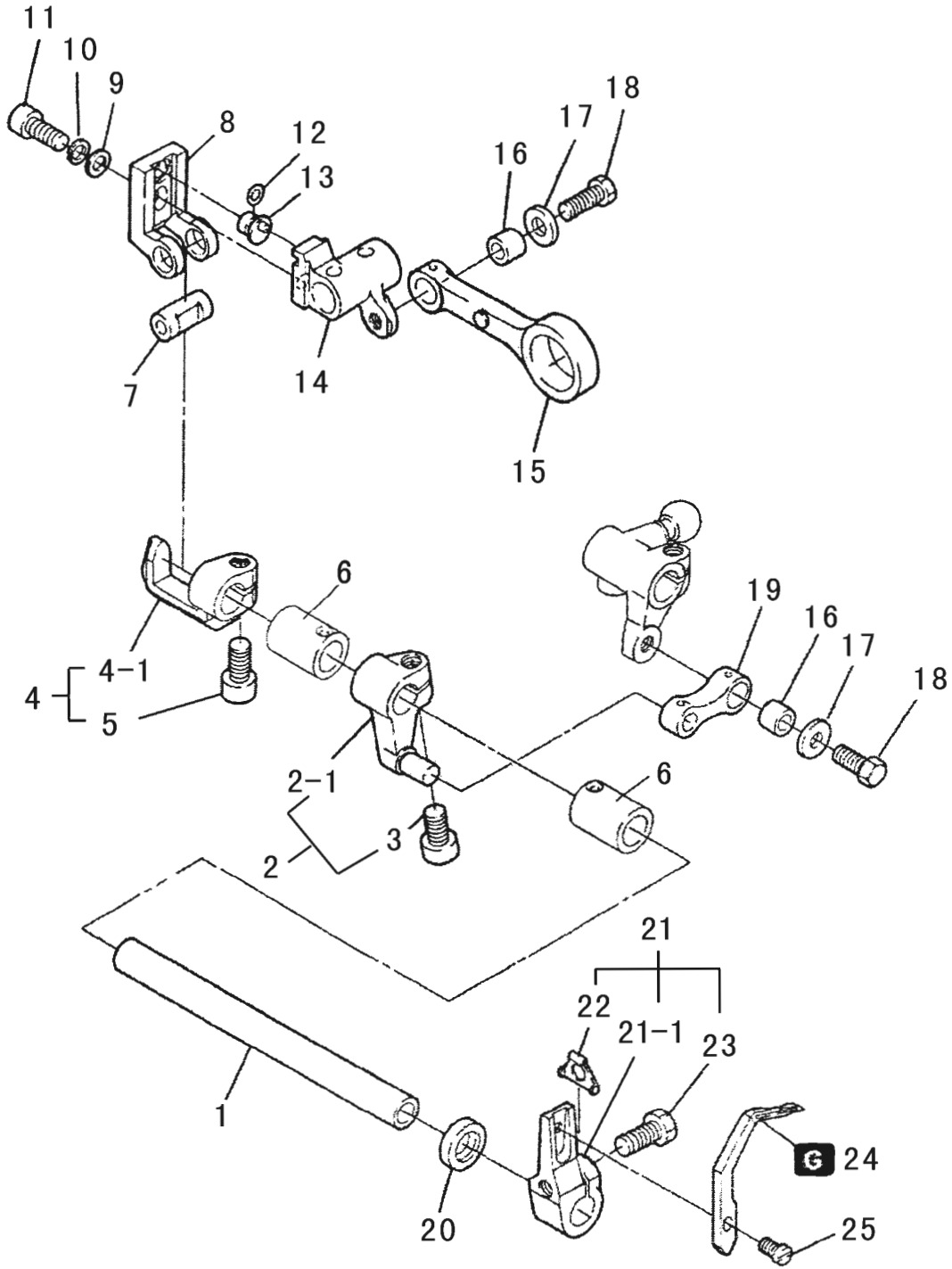
10. 送布传动部分

| 序号 | 图号 | 名称 | | 3 线 | 4 线 | 5 线 | 5 宽 | 5 厚 | 6 线 | 备注 |
|------|----------------|------------|---------------------------------|--------|--------|--------|--------|--------|--------|----|
| | | 中文 | 英文 | | | | | | | |
| 1 | 201.10-01 | 送布轴 | Feed Rocker Shaft | 1 | 1 | 1 | 1 | 1 | 1 | |
| 2 | 06-0700814-4 | 开口挡圈 | E-ring | 1 | 1 | 1 | 1 | 1 | 1 | |
| 3 | 22-15504017 | 油封 | Oil Seal | 1 | 1 | 1 | 1 | 1 | 1 | |
| 4 | 201.08-06 | 铜垫片 | Copper Gasket | 2 | 2 | 2 | 2 | 2 | 2 | |
| 5 | 201.07-06 | 送布轴前轴套 | Feed Rocker Shaft Front Bushing | 1 | 1 | 1 | 1 | 1 | 1 | |
| 6 | 201.07-06 | 送布轴后轴套 | Feed Rocker Shaft Rear Bushing | 1 | 1 | 1 | 1 | 1 | 1 | |
| 7 | 201.10-07 | 差动牙架调整曲柄组件 | Ratio Adjusting Crank ASM | 1 | 1 | 1 | 1 | 1 | 1 | |
| 8 | 01-506751224-1 | 差动牙架调整曲柄螺钉 | Ratio Adjusting Crank Screw | (1) | (1) | (1) | (1) | (1) | (1) | |
| 9 | 201.10-07-02 | 差动牙架调整曲柄 | Ratio Adjusting Crank | (1) | (1) | (1) | (1) | (1) | (1) | |
| 10 | 01-503000621-1 | 滑块盖板螺钉 | Slipper Block Screw | (2) | (2) | (2) | (2) | (2) | (2) | |
| 11 | 201.10-07-04 | 差动送布滑块盖板 | Slipper Block Cover | (1) | (1) | (1) | (1) | (1) | (1) | |
| 12 | 201.10-07-05 | 差动牙架调整曲柄滑块 | Crank Block | (1) | (1) | (1) | (1) | (1) | (1) | |
| 13 | 201.10-08 | 滑块 | Slipper Block | 1 | 1 | 1 | 1 | 1 | 1 | |
| 14 | 201.10-09 | 送布调整曲柄组件 | Feed Cloth Adjusting Crank ASM | 1 | 1 | 1 | 1 | 1 | 1 | |
| 14-1 | 201.10-09-01 | 送布调整曲柄 | Feed Cloth Adjusting Crank | (1) | (1) | (1) | (1) | (1) | (1) | |
| 15 | 01-506751224-1 | 送布调整曲柄紧固螺钉 | Setscrew | (1) | (1) | (1) | (1) | (1) | (1) | |
| 16 | 201.10-11 | 偏心轴 | Eccentric Cam | 1 | 1 | 1 | 1 | 1 | 1 | |
| 17 | 05-053101001-5 | 垫片 | Gasket | 1 | 1 | 1 | 1 | 1 | 1 | |
| 18 | 03-605000400-1 | 送布牙连杆偏心轴螺母 | Nut | 1 | 1 | 1 | 1 | 1 | 1 | |
| 19 | 01-705051325-1 | 送布牙架连杆套螺钉 | Screw | 1 | 1 | 1 | 1 | 1 | 1 | |
| 20 | 05-053151102-5 | 送布牙架连杆套垫圈 | Gasket | 1 | 1 | 1 | 1 | 1 | 1 | |
| 21 | 201.10-16 | 送布牙架连杆套 | Connecting Rod Bushing | 1 | 1 | 1 | 1 | 1 | 1 | |
| 22 | 201.10-17 | 送布牙架连杆 | Connecting Rod | 1 | 1 | 1 | 1 | 1 | 1 | |
| 23 | 01-804000414-1 | 挡圈螺钉 | Screw | 2 | 2 | 2 | 2 | 2 | 2 | |
| 24 | 201.10-19 | 轴箍 | Thrust Collar | 2 | 2 | 2 | 2 | 2 | 2 | |
| 25 | 201.10-20 | 送布牙架 | Feed Rocker Rank | 1 | 1 | 1 | 1 | 1 | 1 | |
| 26 | 201.10-21 | 差动牙架 | Ratio Rank | 1 | 1 | 1 | 1 | 1 | 1 | |
| 27 | 201.10-22 | 差动送布滑块 | Feed Slipper Block | 1 | 1 | 1 | 1 | 1 | 1 | |
| 28 | 201.10-23 | 拾牙滑块 | Take-up Slipper Block | 1 | 1 | 1 | 1 | 1 | 1 | |
| 29 | 01-504000624-1 | 螺钉 | Screw | 1 | 1 | 1 | 1 | 1 | 1 | |
| 30 | 201.10-25 | 油封 | Oil Seal | 1 | 1 | 1 | 1 | 1 | 1 | |
| 31 | 10-1401014-1 | 挡圈 | E-ring | 1 | 1 | 1 | 1 | 1 | 1 | |
| 32 | 12-115150 | O型圈 | O-ring | 1 | 1 | 1 | 1 | 1 | 1 | |
| 33 | 201.10-28 | 牙叉轴 | Shaft | 1 | 1 | 1 | 1 | 1 | 1 | |
| 34 | 01-535000821-1 | 差动牙螺钉 | Screw | 2 | 2 | 2 | 2 | 2 | 2 | |
| 35 | 201.10-30 | 差动牙 | Ratio dog | 1 | 1 | | | | | |
| | 203.10-30 | 差动牙 | Ratio dog | | | 1 | | | | |
| | 204.10-30 | 差动牙 | Ratio dog | | | | 1 | | | |
| | 205.10-30 | 差动牙 | Ratio dog | | | | 1 | | 1 | |
| 36 | 260.10-31-02 | 油封密封盖 | Oil Sealing cover | 1 | 1 | 1 | 1 | 1 | 1 | |
| 37 | 260.10-31-01 | 牙架导轨 | Guide Orbit | 1 | 1 | 1 | 1 | 1 | 1 | |
| 38 | 01-404000823-1 | 牙架导轨螺钉 | Screw | 4 | 4 | 4 | 4 | 4 | 1 | |
| 39 | 01-104001021-1 | 一字沉头螺钉 | Screw | 1 | 1 | 1 | 1 | 1 | 1 | |
| 40 | 201.10-33 | 密封导架 | Guide Bracket | 1 | 1 | 1 | 1 | 1 | 1 | |
| 41 | 201.10-36 | 主送布牙组件 | Main Feed Dog Components | 1 | 1 | | | | | |
| | 201.10-36-01 | 主送布牙 | Main Feed Dog | (1) | (1) | | | | | |
| | 201.10-36-02 | 副送布牙 | Differential Feed Dog | (1) | (1) | (1) | (1) | | | |
| 41 | 203.10-36 | 主送布牙组件 | Main Feed Dog Components | | | 1 | 1 | | 1 | |
| | 203.10-36-01 | 主送布牙 | Main Feed Dog | | | (1) | (1) | | | |
| 41 | 204.10-36 | 主送布牙组件 | Main Feed Dog Components | | | | | 1 | | |
| | 204.10-36-01 | 主送布牙 | Main Feed Dog | | | | | (1) | | |
| | 204.10-36-02 | 副送布牙 | Differential Feed Dog | | | | | (1) | | |
| 42 | 01-503000621-1 | 副送布牙螺钉 | Screw | (1) | (1) | (1) | (1) | (1) | (1) | |
| 43 | 201.10-34 | 油封 | Oil Seal | 3 | 3 | 3 | 3 | 3 | 3 | |
| 44 | 01-404000523-1 | 密封导架螺钉 | Screw | 2 | 2 | 2 | 2 | 2 | 2 | |



11. 剪切部分

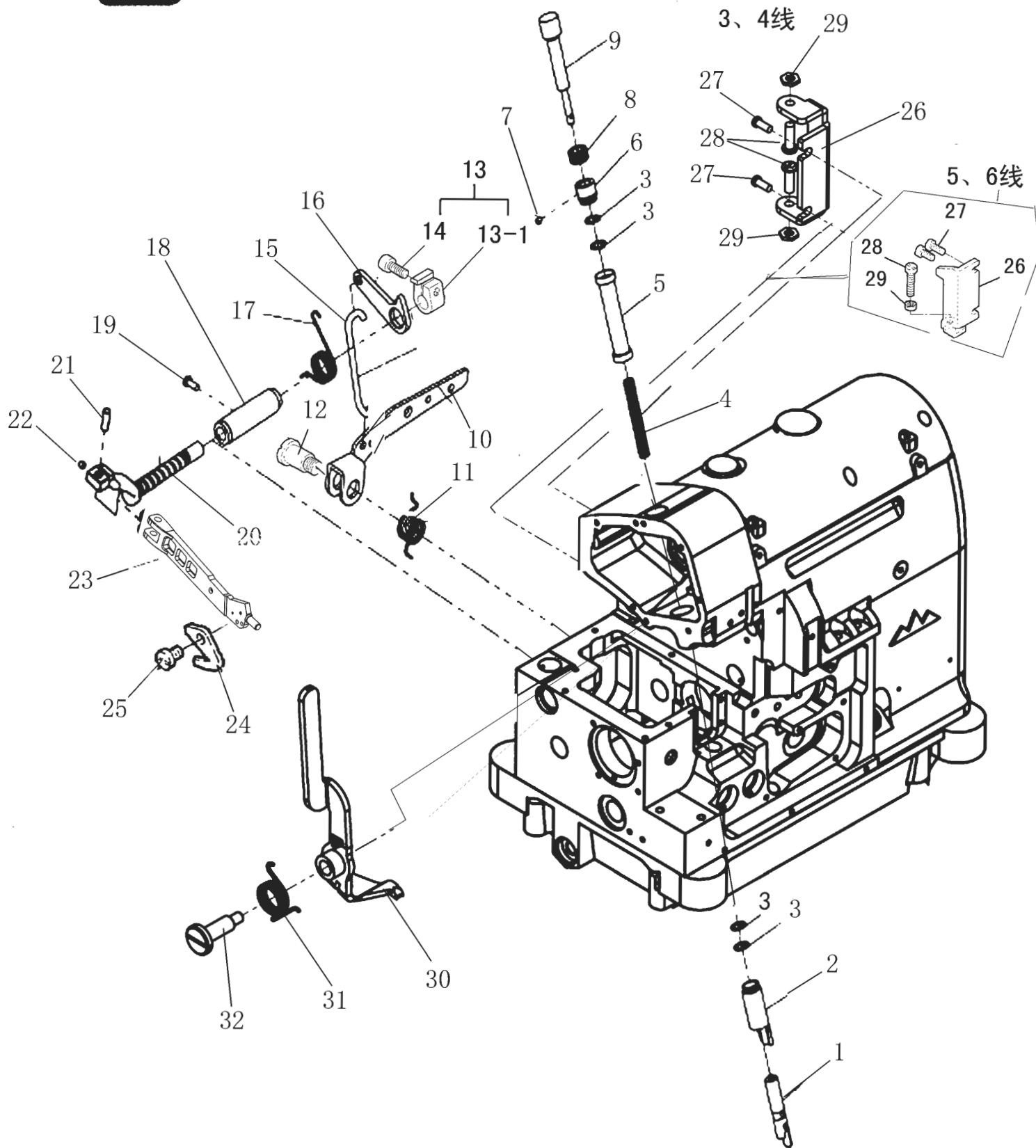
| 序号 | 图号 | 名称 | | 3 线 | 4 线 | 5 线 | 5 宽 | 5 厚 | 6 线 | 备注 |
|------|----------------|------------|-----------------------------|--------|--------|--------|--------|--------|--------|----|
| | | 中文 | 英文 | | | | | | | |
| 1 | 201. 11-01 | 销轴 | Pin | 1 | 1 | 1 | 1 | 1 | 1 | |
| 2 | 201. 11-02 | 上刀轴 | Upper Knife Shaft | 1 | 1 | 1 | 1 | 1 | 1 | |
| 3 | 13-09330150 | 油封 | Oil Seal | 1 | 1 | 1 | 1 | 1 | 1 | |
| 4 | 201. 07-06 | 套筒 | Bushing | 1 | 1 | 1 | 1 | 1 | 1 | |
| 5 | 201. 07-06 | 套筒 | Bushing | 1 | 1 | 1 | 1 | 1 | 1 | |
| 6 | 201. 11-06 | 上刀轴箍 | Crank Pin | 2 | 2 | 2 | 2 | 2 | 2 | |
| 7 | 01-806750514-1 | 挡圈螺钉 | Screw | 2 | 2 | 2 | 2 | 2 | 2 | |
| 8 | 201. 11-08 | 上切刀曲柄组件 | Feed Forked Arm Components | 1 | 1 | | | | | |
| 8-1 | 201. 11-08-01 | 上切刀曲柄 | Feed Forked Arm | (1) | (1) | | | | | |
| 8 | 203. 11-08 | 上切刀曲柄组件 | Feed Forked Arm Components | | | 1 | 1 | 1 | 1 | |
| 8-1 | 203. 11-08-01 | 上切刀曲柄 | Feed Forked Arm | | | (1) | (1) | (1) | (1) | |
| 9 | 01-506751224-1 | 螺钉 | Screw | (1) | (1) | (1) | (1) | (1) | (1) | |
| 10 | 201. 05-13 | 销轴 | Pin | 1 | 1 | 1 | 1 | 1 | 1 | |
| 11 | 201. 11-11 | 上刀连杆组件 | Connecting Rod ASM | 1 | 1 | 1 | 1 | 1 | 1 | |
| 11-1 | 201. 11-11-01 | 上刀连杆 | Feed Forked Connecting Rod | (1) | (1) | (1) | (1) | (1) | (1) | |
| 12 | 01-404001623-1 | 上切刀传动连杆固定螺 | Setscrew | (2) | (2) | (2) | (2) | (2) | (2) | |
| 13 | 01-804000614-1 | 上切刀传动连杆紧定螺 | Setscrew | 1 | 1 | 1 | 1 | 1 | 1 | |
| 14 | 201. 11-14 | 上切刀 | Upper Knife | 1 | 1 | 1 | 1 | 1 | 1 | |
| 15 | 01-535000821-1 | 上切刀固定螺钉 | Setscrew | 1 | 1 | 1 | 1 | 1 | 1 | |
| 16 | 201. 11-16 | 上刀座 | Plain Knife Support | 1 | 1 | | | | | |
| | 203. 11-16 | 上刀座 | Plain Knife Support | | | 1 | 1 | 1 | 1 | |
| 17 | 01-504001221-1 | 上切刀架固定螺钉 | Setscrew | 1 | 1 | 1 | 1 | 1 | 1 | |
| 18 | 201. 11-18 | 下切刀弹簧 | Lower Knife Spring | 1 | 1 | 1 | 1 | 1 | 1 | |
| 19 | 201. 11-19 | 下切刀架 | Lower Knife Slide Stud | 1 | 1 | | | | | |
| | 203. 11-19 | 下切刀架 | Lower Knife Slide Stud | | | 1 | 1 | 1 | 1 | |
| 20 | 01-504000821-1 | 下切刀架固定螺钉 | Setscrew | 1 | 1 | 1 | 1 | 1 | 1 | |
| 21 | 201. 11-21 | 下切刀 | Lower Knife | 1 | 1 | 1 | 1 | 1 | 1 | |
| 22 | 201. 11-22 | 下切刀压板 | Lower Knife Presser Board | 1 | 1 | 1 | 1 | 1 | 1 | |
| 23 | 01-705000821-1 | 下切刀固定螺钉 | Setscrew | 1 | 1 | 1 | 1 | 1 | 1 | |
| 24 | 201. 11-24 | 下切刀架支板 | Lower Knife Bracket Support | 1 | 1 | 1 | 1 | 1 | 1 | |
| 25 | 01-404000823-1 | 下切刀架定位板固定螺 | Setscrew | 2 | 2 | 2 | 2 | 2 | 2 | |
| 26 | 246. 11-26 | 弹簧挡板 | Spring Plate | 1 | 1 | 1 | 1 | 1 | 1 | |
| 27 | 01-404000823-1 | 弹簧挡板固定螺钉 | Spring Plate Setscrew | 2 | 2 | 2 | 2 | 2 | 2 | |



12. 前弯针传动部分

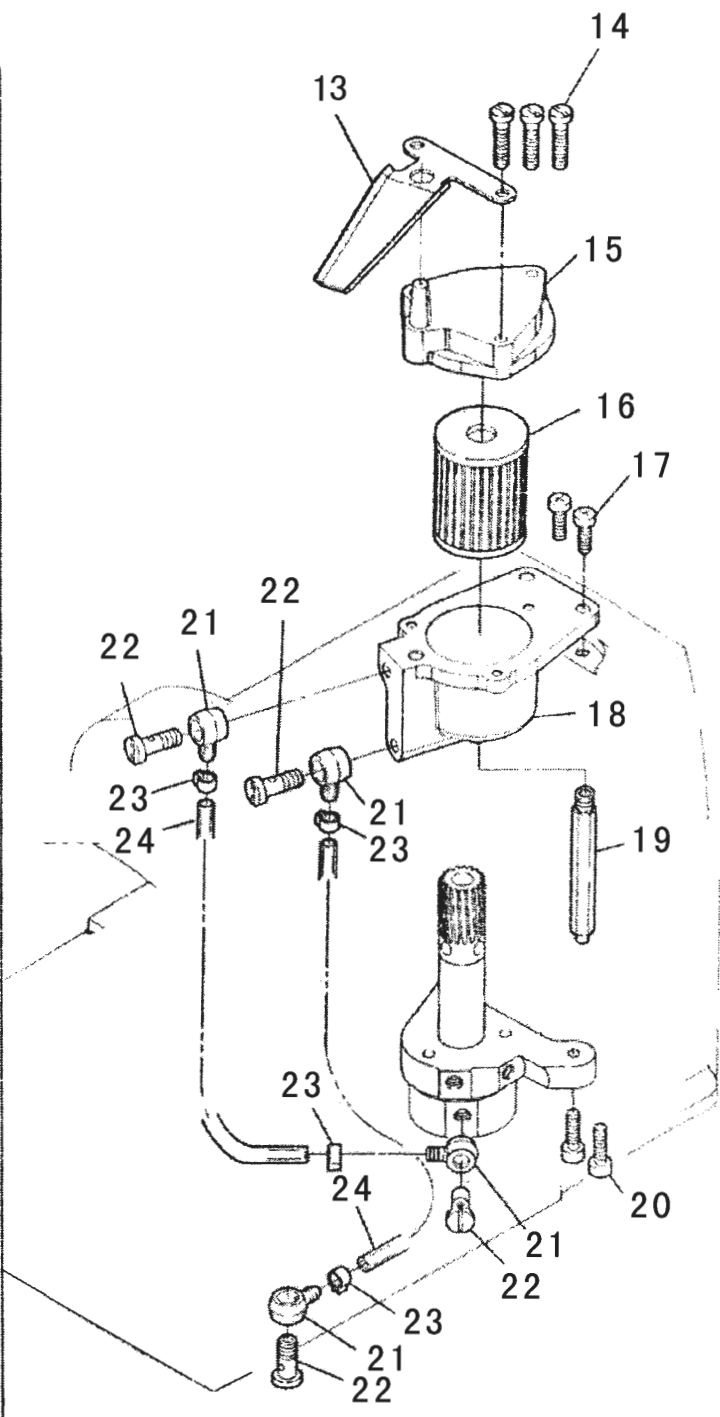
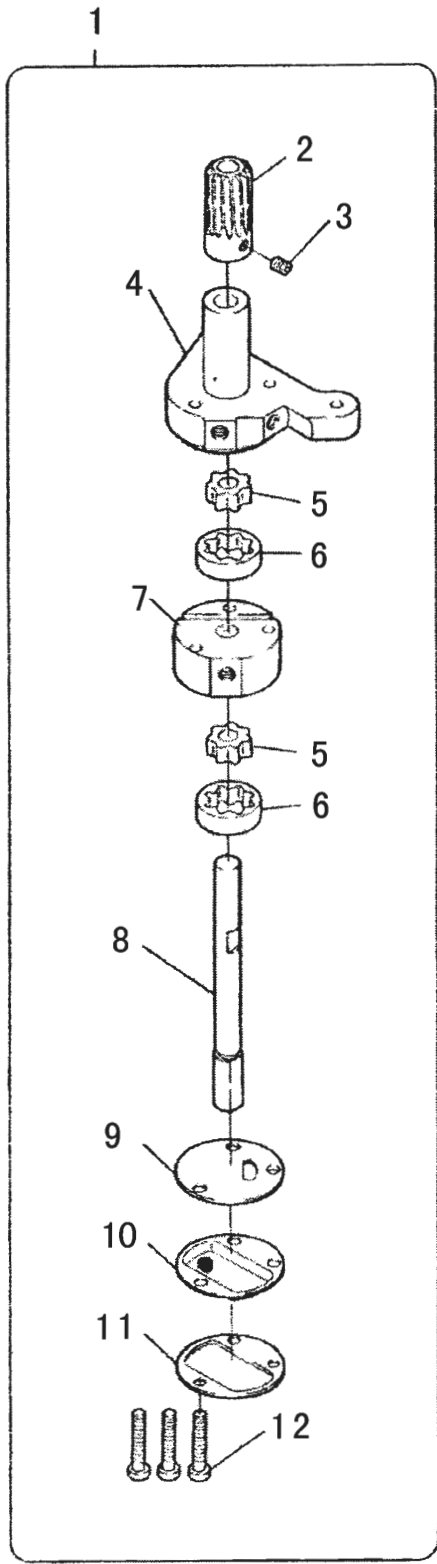
| 序号 | 图号 | 名称 | | 3 线 | 4 线 | 5 线 | 5 宽 | 5 厚 | 6 线 | 备注 |
|-----|----------------|-----------|-----------------------------|--------|--------|--------|--------|--------|--------|----|
| | | 中文 | 英文 | | | | | | | |
| 1 | 203. 12-01 | 前弯针轴 | Front Looper Shaft | | | 1 | 1 | 1 | 1 | |
| 2 | 203. 12-02 | 前弯针曲柄组件 | Front Looper Crank ASM | | | 1 | 1 | 1 | 1 | |
| 2-1 | 203. 12-02-01 | 前弯针曲柄 | Front Looper Crank | | | (1) | (1) | (1) | (1) | |
| 3 | 01-506751224-1 | 前弯针曲柄固定螺钉 | Front Looper Crank Setscrew | | | (1) | (1) | (1) | (1) | |
| 4 | 203. 12-04 | 驱动座组件 | Driving Base ASM | | | 1 | 1 | 1 | 1 | |
| 4-1 | 203. 12-04-01 | 驱动座 | Driving Base | | | (1) | (1) | (1) | (1) | |
| 5 | 01-506751224-1 | 驱动座紧定螺钉 | Driving Base Setscrew | | | (1) | (1) | (1) | (1) | |
| 6 | 201. 07-06 | 弯针纵轴轴套 | Cushion | | | 2 | 2 | 2 | 2 | |
| 7 | 203. 12-07 | 驱动曲柄销 | Driving Crank Pin | | | 1 | 1 | 1 | 1 | |
| 8 | 203. 12-08 | 驱动曲柄 | Driving Crank | | | 1 | 1 | 1 | 1 | |
| 9 | 05-053101001-5 | 垫片 | Gasket | | | 1 | 1 | 1 | 1 | |
| 10 | 07-0521313-1 | 弹簧垫片 | Cushion | | | 1 | 1 | 1 | 1 | |
| 11 | 01-505001224-1 | 螺钉 | Screw | | | 1 | 1 | 1 | 1 | |
| 12 | 12-038140 | O型圈 | O-ring | | | 1 | 1 | 1 | 1 | |
| 13 | 203. 12-13 | 偏心轴 | Eccentric Cam Shaft | | | 1 | 1 | 1 | 1 | |
| 14 | 203. 12-14 | 调节曲柄 | Adjusting Crank | | | 1 | 1 | 1 | 1 | |
| 15 | 203. 12-15 | 前弯针驱动连杆 | Main Feed Driving Link | | | 1 | 1 | 1 | 1 | |
| 16 | 201. 10-16 | 套筒 | Pin Collar | | | 2 | 2 | 2 | 2 | |
| 17 | 05-053151102-5 | 垫片 | Washer | | | 2 | 2 | 2 | 2 | |
| 18 | 01-705051325-1 | 螺钉 | Screw | | | 2 | 2 | 2 | 2 | |
| 19 | 203. 12-25 | 前弯针连杆 | Main Feed Link | | | 1 | 1 | 1 | 1 | |
| 20 | 13-09340190 | 油封 | Oil Seal | | | 1 | 1 | 1 | 1 | |
| 21 | 203. 12-21 | 前弯针架组件 | Front Looper Bracket ASM | | | 1 | 1 | 1 | 1 | |
| | 203. 12-21-01 | 前弯针架 | Front Looper Bracket | | | (1) | (1) | (1) | (1) | |
| 22 | 203. 12-21-02 | 垫片 | Washer | | | (1) | (1) | (1) | (1) | |
| 23 | 01-705001325-1 | 前弯针架固定螺钉 | Setscrew | | | (1) | (1) | (1) | (1) | |
| 24 | 203. 12-24 | 前弯针 | Front Looper | | | 1 | 1 | 1 | 1 | |
| 25 | 01-535000621-1 | 前弯针固定螺钉 | Front Looper Setscrew | | | 1 | 1 | 1 | 1 | |

13



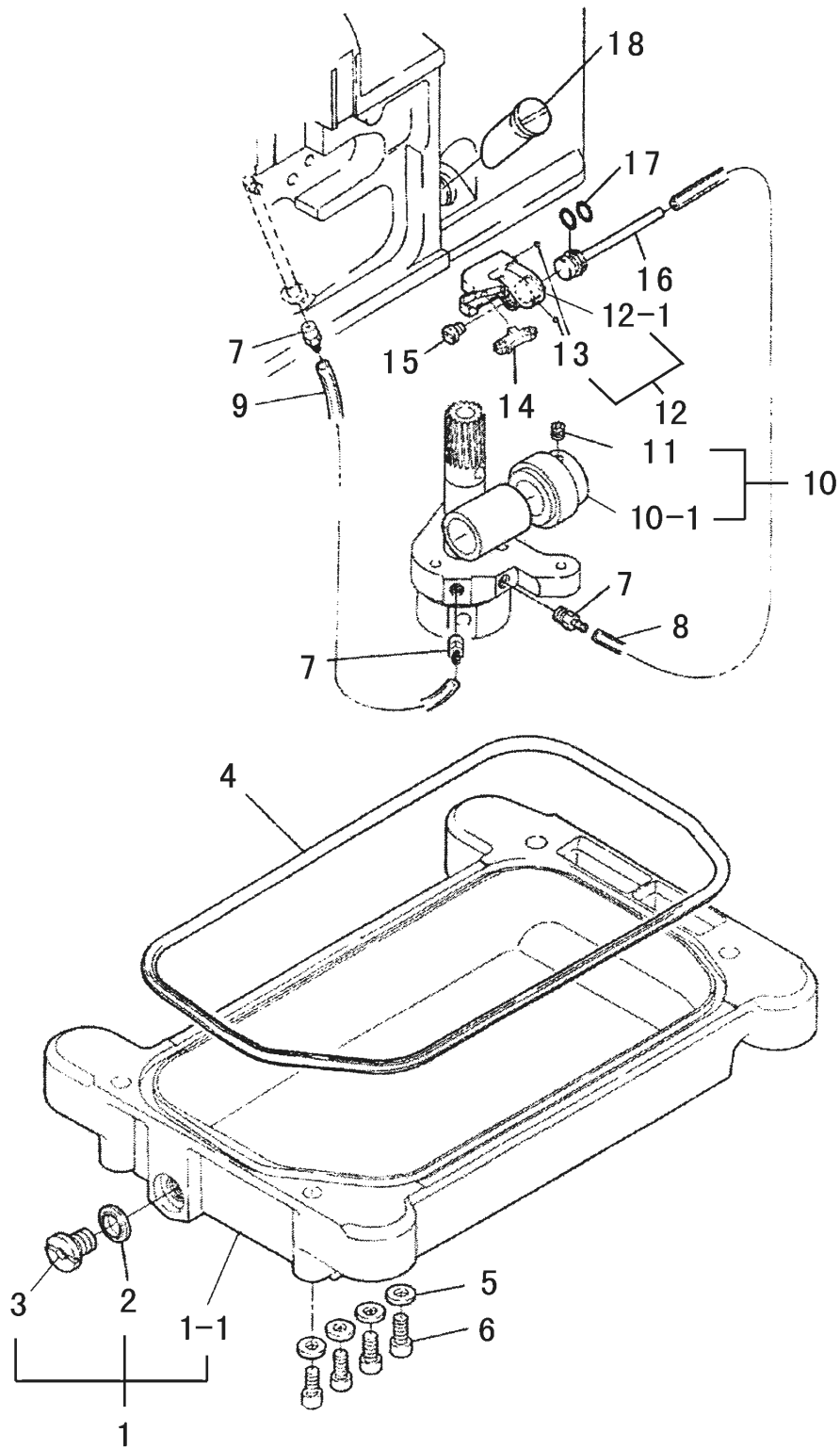
13. 压布传动部分

| 序号 | 图号 | 名称 | | 3 线 | 4 线 | 5 线 | 5 宽 | 5 厚 | 6 线 | 备注 |
|------|----------------|----------|----------------------------------|--------|--------|--------|--------|--------|--------|----|
| | | 中文 | 英文 | | | | | | | |
| 1 | 260.13-35A | 压杆头组件 | Presser Rod Head ASM | 1 | 1 | 1 | 1 | 1 | 1 | |
| 2 | 260.13-38A | 压杆铜套 | Presser rod Copper Collar | 1 | 1 | 1 | 1 | 1 | 1 | |
| 3 | 12-106100 | O型圈 | O-ring | 4 | 4 | 4 | 4 | 4 | 4 | |
| 4 | 260.13-29 | 弹簧 | Spring | 1 | 1 | 1 | 1 | 1 | 1 | |
| 5 | 260.13-37A | 压杆防油管 | Presser rod Anti-oil tube | 1 | 1 | 1 | 1 | 1 | 1 | |
| 6 | 260.13-28 | 调压螺母锁紧套 | Nut Regulation Collar | 1 | 1 | 1 | 1 | 1 | 1 | |
| 7 | 01-804000414-1 | 无帽内六角螺钉 | Screw | 1 | 1 | 1 | 1 | 1 | 1 | |
| 8 | 260.13-36 | 调牙螺帽 | Presser nut | 1 | 1 | 1 | 1 | 1 | 1 | |
| 9 | 260.13-27 | 调牙螺钉 | Presser Screw Regulation | 1 | 1 | 1 | 1 | 1 | 1 | |
| 10 | 260.29-25 | 抬压脚杠杆 | Lifting Lever Link | 1 | 1 | 1 | 1 | 1 | 1 | |
| 11 | 260.29-05 | 杠杆弹簧 | Adjusting Lever Spring | 1 | 1 | 1 | 1 | 1 | 1 | |
| 12 | 201.13-17 | 抬压脚杠杆轴位螺 | Lifting Lever Link Screw | 1 | 1 | 1 | 1 | 1 | 1 | |
| 13 | 201.13-13 | 压脚轴套 | Presser Foot Bushing | 1 | 1 | 1 | 1 | 1 | 1 | |
| 13-1 | 201.13-13-1 | 抬压脚曲柄 | Lifting Presser Foot Crank | (1) | (1) | (1) | (1) | (1) | (1) | |
| 14 | 01-506751424-1 | 抬压脚曲柄螺钉 | Lifting Presser Foot Crank Screw | (1) | (1) | (1) | (1) | (1) | (1) | |
| 15 | 260.13-18 | 吊钩 | Lifting Hook | 1 | 1 | 1 | 1 | 1 | 1 | |
| 16 | 260.29-04 | 压脚轴 | Lifting Shaft | 1 | 1 | 1 | 1 | 1 | 1 | |
| 17 | 260.29-26 | 压脚轴扭簧 | Lifting Shaft Twisting spring | 1 | 1 | 1 | 1 | 1 | 1 | |
| 18 | 201.13-09 | 压脚轴套 | Presser Foot Bushing | 1 | 1 | 1 | 1 | 1 | 1 | |
| 19 | 01-404000823-1 | 十字一字螺钉 | Screw | 1 | 1 | 1 | 1 | 1 | 1 | |
| 20 | 260.29-03 | 压脚轴 | Lifting Shaft | 1 | 1 | 1 | 1 | 1 | 1 | |
| 21 | 201.13-23 | 铰链销 | Hinge Pin | 1 | 1 | 1 | 1 | 1 | 1 | |
| 22 | 01-804050414-1 | 铰链销紧定螺钉 | Hinge Pin Setscrew | 1 | 1 | 1 | 1 | 1 | 1 | |
| 23 | 260.29-02A | 抬压脚臂 | Lifting Presser Foot Arm | 1 | 1 | 1 | 1 | 1 | 1 | |
| 24 | 201.13-25 | 割线刀 | Thread Cutting Knife | 1 | 1 | 1 | 1 | 1 | 1 | |
| 25 | 01-503000421-1 | 割线刀螺钉 | Thread Cutting Knife Screw | 1 | 1 | 1 | 1 | 1 | 1 | |
| 26 | 201.13-19G | 抬压脚杠杆限位板 | Lifting Level Link Limited Board | 1 | 1 | | | | | |
| | 201.13-19 | 抬压脚杠杆限位板 | Lifting Level Link Limited Board | | | 1 | 1 | 1 | 1 | |
| 27 | 01-404001023-1 | 固定螺钉 | Setscrew | 2 | 2 | 2 | 2 | 2 | 2 | |
| 28 | 01-505002421-1 | 调节螺钉 | Presser Spring Regulation | 2 | 2 | 1 | 1 | 1 | 1 | |
| 29 | 03-605000400-1 | 调节螺母 | Nut | 2 | 2 | 1 | 1 | 1 | 1 | |
| 30 | 260.13-30E | 扳手 | Spanner | 1 | 1 | 1 | 1 | 1 | 1 | |
| 31 | 260.13-31A | 抬压脚扳手簧 | Spanner Spring | 1 | 1 | 1 | 1 | 1 | 1 | |
| 32 | 260.13-40 | 扳手固定螺钉 | Ratio Spanner Setscrew | 1 | 1 | 1 | 1 | 1 | 1 | |



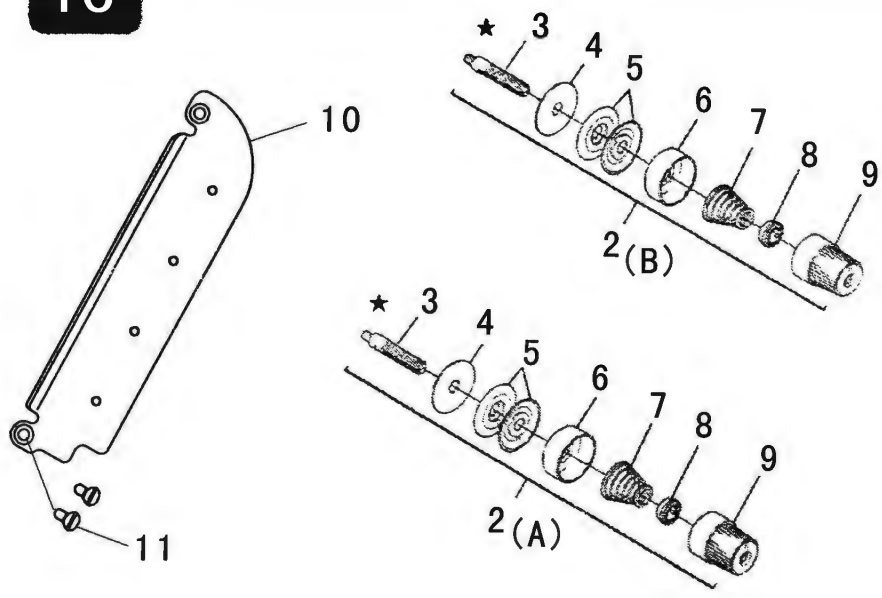
14. 润滑部分

| 序号 | 图号 | 名称 | | 3 线 | 4 线 | 5 线 | 5 宽 | 5 厚 | 6 线 | 备注 |
|----|----------------|-----------|-----------------------|--------|--------|--------|--------|--------|--------|----|
| | | 中文 | 英文 | | | | | | | |
| 1 | 210.14-01G | 油泵组件（大油量） | Oil Pump ASM | 1 | 1 | 1 | 1 | 1 | 2 | |
| 2 | 201.14-01-01 | 油泵蜗轮 | Worm Gear | (1) | (1) | (1) | (1) | (1) | (1) | |
| 3 | 01-805000514-1 | 油泵蜗轮紧定螺钉 | Worm Gear Setscrew | (1) | (1) | (1) | (1) | (1) | (1) | |
| 4 | 201.14-01-03 | 油泵体 | Oil Pump | (1) | (1) | (1) | (1) | (1) | (1) | |
| 5 | 210.14-01-04 | 大油泵转子 | Pinion Gear(big) | (1) | (1) | (1) | (1) | (1) | (1) | |
| 6 | 210.14-01-05 | 大油泵定子 | Oil Pump Pinion(big) | (1) | (1) | (1) | (1) | (1) | (1) | |
| 7 | 210.14-01-06 | 油泵底座 | Oil Pump Base | (1) | (1) | (1) | (1) | (1) | (1) | |
| 8 | 201.14-01-07 | 油泵主轴 | Gear Pump Shaft Large | (1) | (1) | (1) | (1) | (1) | (1) | |
| 9 | 201.14-01-08 | 油泵底板 | Pinion Spacer | (1) | (1) | (1) | (1) | (1) | (1) | |
| 10 | 201.14-01-09 | 滤油网 | Filter | (1) | (1) | (1) | (1) | (1) | (1) | |
| 11 | 201.14-01-10 | 滤油网固定片 | Filter Gasket | (1) | (1) | (1) | (1) | (1) | (1) | |
| 12 | 201.14-01-11 | 油泵底板固定螺钉 | Setscrew | (3) | (3) | (3) | (3) | (3) | (3) | |
| 13 | 201.14-02 | 挡油板 | Oil Proof Board | 1 | 1 | 1 | 1 | 1 | 1 | |
| 14 | 01-504002221-1 | 螺钉 | Screw | 3 | 3 | 3 | 3 | 3 | 3 | |
| 15 | 201.14-04 | 滤油箱盖 | Filter Box Cover | 1 | 1 | 1 | 1 | 1 | 1 | |
| 16 | 201.14-05 | 滤油器 | Cartridge Filter | 1 | 1 | 1 | 1 | 1 | 1 | |
| 17 | 01-404001223-1 | 螺钉 | Screw | 2 | 2 | 2 | 2 | 2 | 2 | |
| 18 | 201.14-07 | 滤油器体 | Filter Casing | 1 | 1 | 1 | 1 | 1 | 1 | |
| 19 | 03-606000350-1 | 螺母 | Sleeve nut | 1 | 1 | 1 | 1 | 1 | 1 | |
| 20 | 210.14-08 | 通油支柱 | Oil Finding Support | 1 | 1 | 1 | 1 | 1 | 1 | |
| 21 | 01-504001621-1 | 螺钉 | Screw | 2 | 2 | 2 | 2 | 2 | 2 | |
| 22 | 201.14-10 | 油管接头 | Oil Pipe Joint | 4 | 4 | 4 | 4 | 4 | 4 | |
| 23 | 201.14-11 | 油管活接头螺钉 | Screw | 4 | 4 | 4 | 4 | 4 | 4 | |
| 24 | 201.20-08 | 油管卡簧 | Oil Pipe Spring | 4 | 4 | 4 | 4 | 4 | 4 | |
| 25 | 201.14-13 | 油管 | Oil Pipe | 2 | 2 | 2 | 2 | 2 | 2 | |



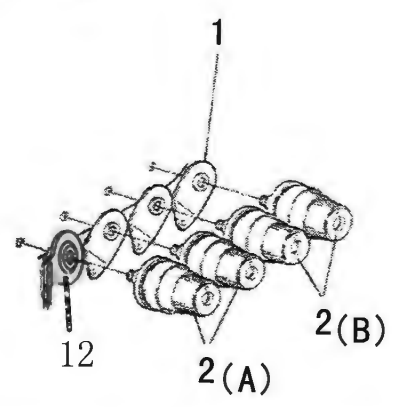
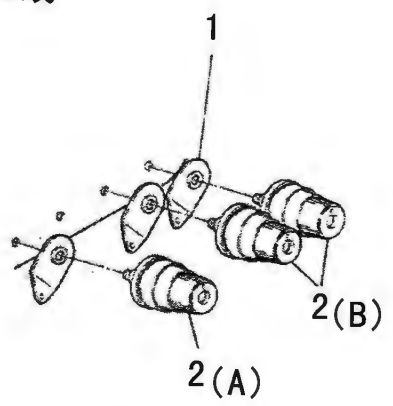
15. 油盘部分

| 序号 | 图号 | 名称 | | 3 线 | 4 线 | 5 线 | 5 宽 | 5 厚 | 6 线 | 备注 |
|------|----------------|---------|--------------------------|--------|--------|--------|--------|--------|--------|----|
| | | 中文 | 英文 | | | | | | | |
| 1 | 210.15-01 | 油盘组件 | Oil Tray ASM | 1 | 1 | 1 | 1 | 1 | 1 | |
| 1-1 | 210.15-01-01 | 油盘 | Oil Tray | (1) | (1) | (1) | (1) | (1) | (1) | |
| 2 | 201.15-01-02 | 放油螺钉油封 | Oil Seal | (1) | (1) | (1) | (1) | (1) | (1) | |
| 3 | 201.15-01-03 | 放油螺钉 | Oil Release Screw | (1) | (1) | (1) | (1) | (1) | (1) | |
| 4 | 260.15-04 | 密封圈 | Oil Reservoir Gasket | 1 | 1 | 1 | 1 | 1 | 1 | |
| 5 | 05-053201450-1 | 垫片 | Gasket | 4 | 4 | 4 | 4 | 4 | 4 | |
| 6 | 01-505001224-1 | 油盘固定螺钉 | Set screw | 4 | 4 | 4 | 4 | 4 | 4 | |
| 7 | 201.15-07 | 油管接头 | Oil Pipe Joint | 3 | 3 | 3 | 3 | 3 | 3 | |
| 8 | 201.15-08 | 油管 | Oil Pipe | 1 | 1 | 1 | 1 | 1 | 1 | |
| 9 | 201.15-09 | 油管 | Oil Pipe | 1 | 1 | 1 | 1 | 1 | 1 | |
| 10 | 210.15-10 | 蜗杆组件 | Worm Rod ASM | 1 | 1 | 1 | 1 | 1 | 1 | |
| 10-1 | 210.15-10-01 | 蜗杆 | Worm Rod | (1) | (1) | (1) | (1) | (1) | (1) | |
| 11 | 01-804000421-1 | 螺钉 | Screw | (2) | (2) | (2) | (2) | (2) | (2) | |
| 12 | 201.15-12 | 针杆回油器组件 | Oil Returning Components | 1 | 1 | 1 | 1 | 1 | 1 | |
| 12-1 | 201.15-12-01 | 针杆回油器 | Oil Returning | (1) | (1) | (1) | (1) | (1) | (1) | |
| 13 | 201.15-12-02 | 钢球 | Steel Ball | (2) | (2) | (2) | (2) | (2) | (2) | |
| 14 | 201.15-14 | 毛毡 | Felt | 1 | 1 | 1 | 1 | 1 | 1 | |
| 15 | 01-404000823-1 | 螺钉 | Screw | 1 | 1 | 1 | 1 | 1 | 1 | |
| 16 | 201.15-16 | 排油杆 | Oil Release Rod | 1 | 1 | 1 | 1 | 1 | 1 | |
| 17 | 12-060180 | O型圈 | O-ring | 2 | 2 | 2 | 2 | 2 | 2 | |
| 18 | 201.15-18 | 圆柱形油窗 | Oil Window | 1 | 1 | 1 | 1 | 1 | 1 | |

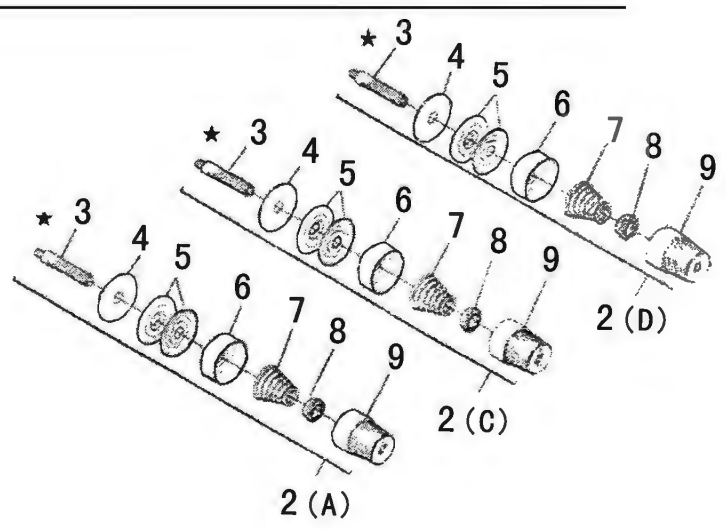
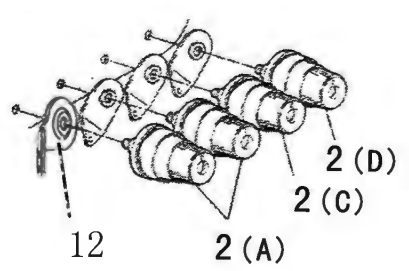


● 3线

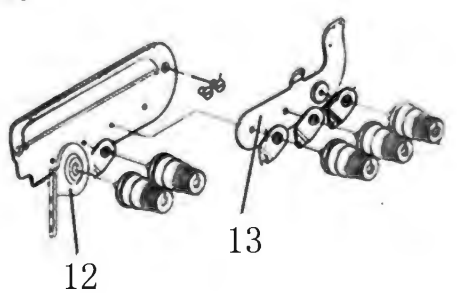
● 4、5线



● 5线厚料



● 6线

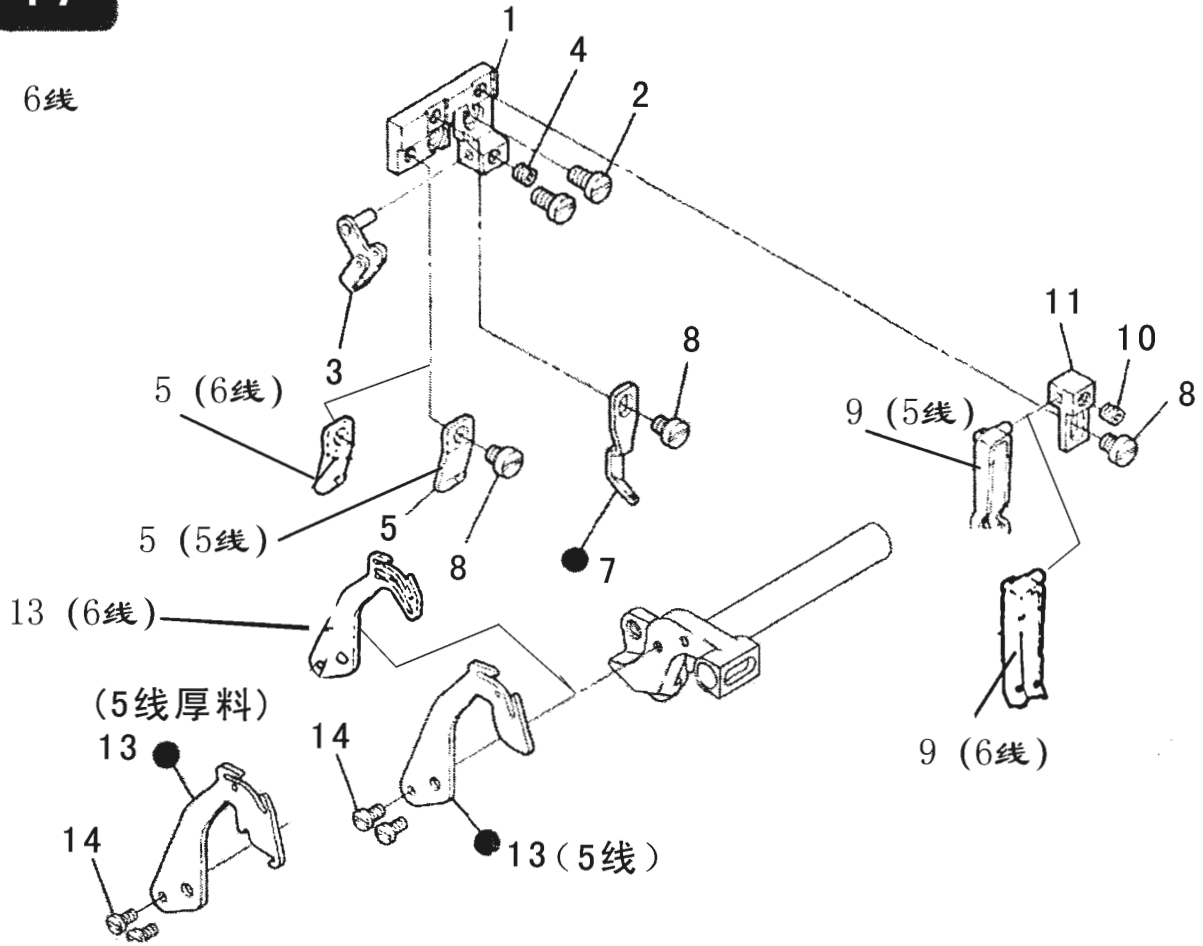


16. 夹线器部分

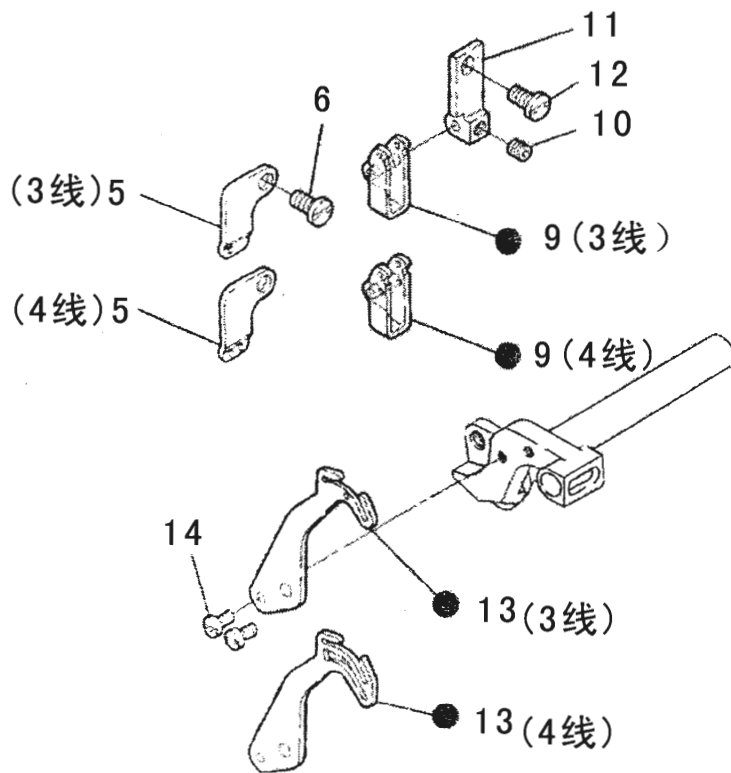
| 序号 | 图号 | 名称 | | 3 线 | 4 线 | 5 线 | 5 宽 | 5 厚 | 6 线 | 备注 |
|----|----------------|---------|-----------------------------|--------|--------|--------|--------|--------|--------|----|
| | | 中文 | 英文 | | | | | | | |
| 1 | 201.16-01 | 过线板 (C) | Thread Tension Disk (C) | 3 | 3 | 3 | 3 | 3 | 4 | |
| 2 | 201.16-02 A | 夹线器组件A | Thread Tension Components A | 1 | 2 | 2 | 2 | 2 | 3 | |
| | 201.16-02 B | 夹线器组件B | Thread Tension Components B | 2 | 2 | 2 | 2 | | 2 | |
| | 204.16-02 C | 夹线器组件C | Thread Tension Components C | | | | | 1 | | |
| | 204.16-02 D | 夹线器组件D | Thread Tension Components D | | | | | 1 | | |
| 3 | 201.16-02-01 | 夹线螺钉 | Thread Tension Screw | (3) | (4) | (4) | (4) | (4) | (5) | |
| 4 | 201.16-02-02 | 羊毛垫 | Felt | (3) | (4) | (4) | (4) | (4) | (5) | |
| 5 | 201.16-02-03 | 夹线片 | Thread Tension Disk | (6) | (8) | (8) | (8) | (8) | (10) | |
| 6 | 201.16-02-04 | 夹线器座 | Thread Tension Base | (3) | (4) | (4) | (4) | (4) | (5) | |
| 7 | 201.16-02-05A | 夹线簧A | Thread Tension Spring A | (1) | (2) | (2) | (2) | (2) | (3) | |
| | 201.16-02-05B | 夹线簧B | Thread Tension Spring B | (2) | (2) | (2) | (2) | | (2) | |
| | 204.16-02-05C | 夹线簧C | Thread Tension Spring C | | | | | (1) | | |
| | 204.16-02-05D | 夹线簧D | Thread Tension Spring D | | | | | (1) | | |
| 8 | 201.16-02-06 | 止动套 | Stopping Bushing | (3) | (4) | (4) | (4) | (4) | (5) | |
| 9 | 201.16-02-07 | 夹线调节螺母 | Thread Tension Knob | (3) | (4) | (4) | (4) | (4) | (5) | |
| 10 | 201.16-03G | 过线板 (B) | Thread Tension Disk (B) | 1 | 1 | 1 | 1 | 1 | 1 | |
| 11 | 01-204000821-2 | 螺钉 | Screw | 2 | 2 | 2 | 2 | 2 | 2 | |
| 12 | 201.16-01G | 针线过线板 | Thread Tension Disk | | 1 | 1 | 1 | 1 | | |
| | 206.16-01G | 针线过线板 | Thread Tension Disk | | | | | | 1 | |
| 13 | 206.16-04 | 三针过线板 | Thread Tension Disk | | | | | | 1 | |

17

5、6线

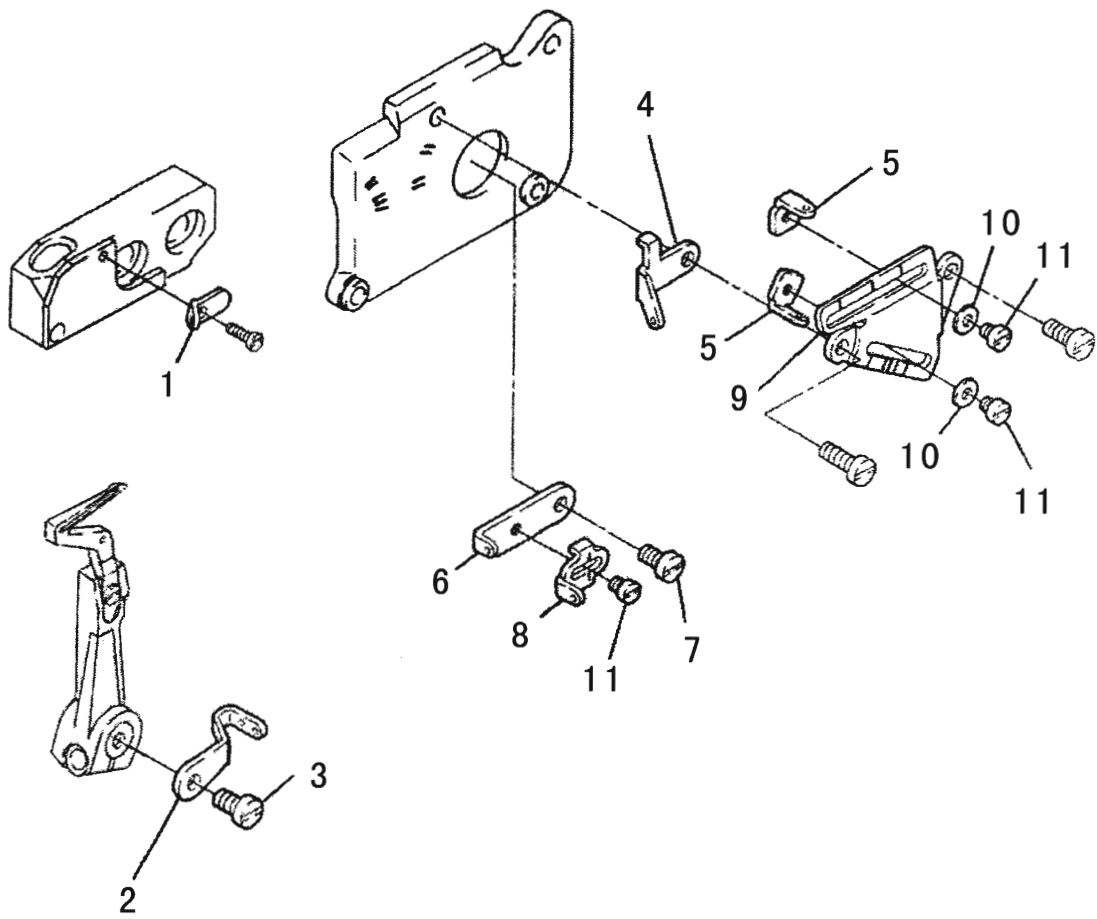


3、4线



17. 过线件部分(1)

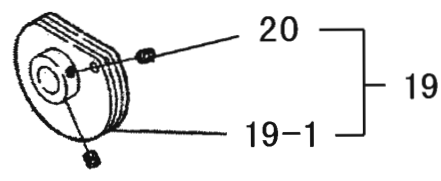
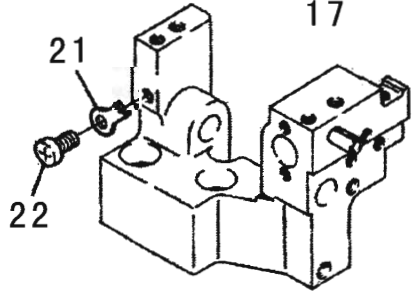
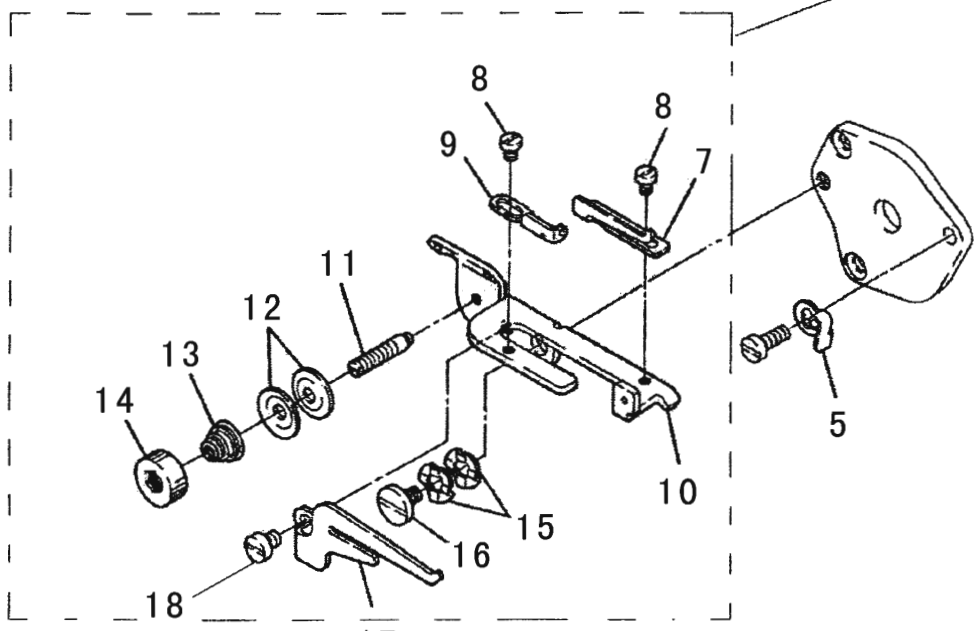
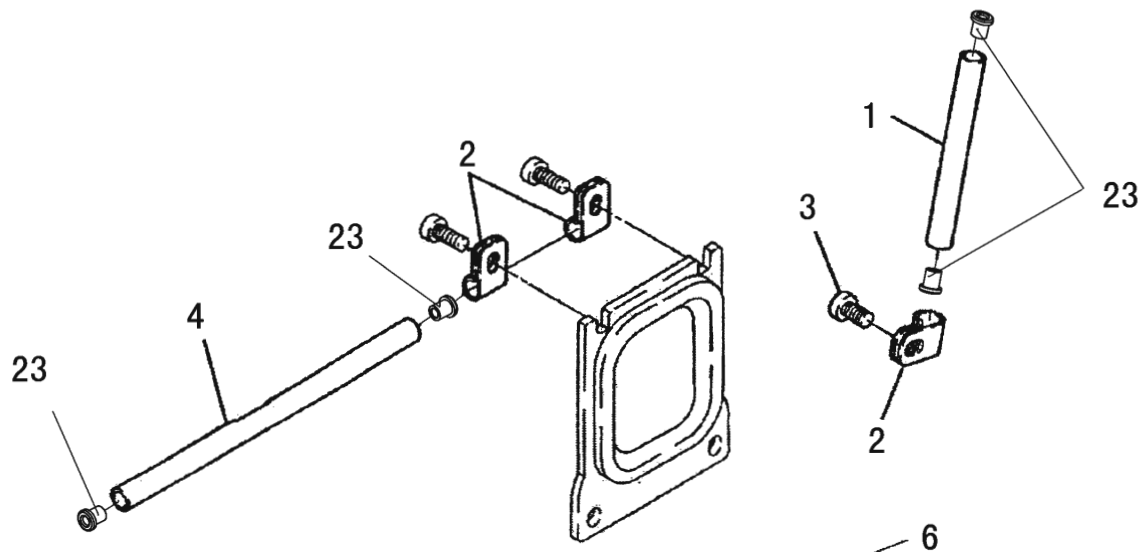
| 序号 | 图号 | 名称 | | 3 线 | 4 线 | 5 线 | 5 宽 | 5 厚 | 6 线 | 备注 |
|----|----------------|-----------|-------------------------------|--------|--------|--------|--------|--------|--------|----|
| | | 中文 | 英文 | | | | | | | |
| 1 | 203.17-01 | 过线板固定座 | Thread Tension Base | | | 1 | 1 | 1 | 1 | |
| 2 | 01-604000821-1 | 过线板固定座螺钉 | Thread Tension Base Screw | | | 2 | 2 | 2 | 2 | |
| 3 | 203.17-03 | 过线板组件 | Thread Tension ASM | | | 1 | 1 | 1 | 1 | |
| 4 | 01-804000414-1 | 过线板螺钉 | Screw | | | 1 | 1 | 1 | 1 | |
| 5 | 201.17-05 | 穿线板 | Thread Tension Disk | 1 | | | | | | |
| | 202.17-05 | 穿线板 | Thread Tension Disk | | 1 | | | | | |
| | 203.17-05 | 穿线板 | Thread Tension Disk | | | 1 | 1 | 1 | | |
| | 206.17-05 | 穿线板 | Thread Tension Disk | | | | | | 1 | |
| 6 | 01-604000821-1 | 穿线板螺钉 | Screw | 1 | 1 | | | | 1 | |
| 7 | 203.17-07 | 单孔过线板 | Single-hole Thread Guide Disk | | | 1 | 1 | | 1 | |
| | 204.17-07 | 单孔过线板 | Single-hole Thread Guide Disk | | | | | 1 | | |
| 8 | 01-504000521-1 | 单孔过线板固定螺钉 | Setscrew | | | 3 | 3 | 3 | 3 | |
| 9 | 201.17-09 | 二眼过线板组件 | Two-hole Thread Tension ASM | 1 | | | | | | |
| | 202.17-09 | 二眼过线板组件 | Two-hole Thread Tension ASM | | 1 | | | | | |
| | 203.17-09 | 二眼过线板组件 | Two-hole Thread Tension ASM | | | 1 | 1 | 1 | | |
| | 206.17-09 | 二眼过线板组件 | Two-hole Thread Tension ASM | | | | | | 1 | |
| 10 | 01-804000414-1 | 二眼过线板螺钉 | Screw | 1 | 1 | 1 | 1 | 1 | 1 | |
| 11 | 201.17-11 | 过线板座 | Thread Tension Base | 1 | 1 | | | | | |
| | 203.17-11 | 过线板座 | Thread Tension Base | | | 1 | 1 | 1 | 1 | |
| 12 | 01-604000821-1 | 过线板座螺钉 | Screw | 1 | 1 | | | | | |
| 13 | 201.17-13 | 挑线板 | Thread Take-up Disk | 1 | | | | | | |
| | 202.17-13 | 挑线板 | Thread Take-up Disk | | 1 | | | | | |
| | 203.17-13 | 挑线板 | Thread Take-up Disk | | | 1 | 1 | | | |
| | 204.17-13 | 挑线板 | Thread Take-up Disk | | | | | 1 | | |
| | 206.17-13 | 挑线板 | Thread Take-up Disk | | | | | | 1 | |
| 14 | 01-603000621-1 | 挑线板固定螺钉 | Setscrew | 2 | 2 | 2 | 2 | 2 | 2 | |



18. 过线件部分(2)

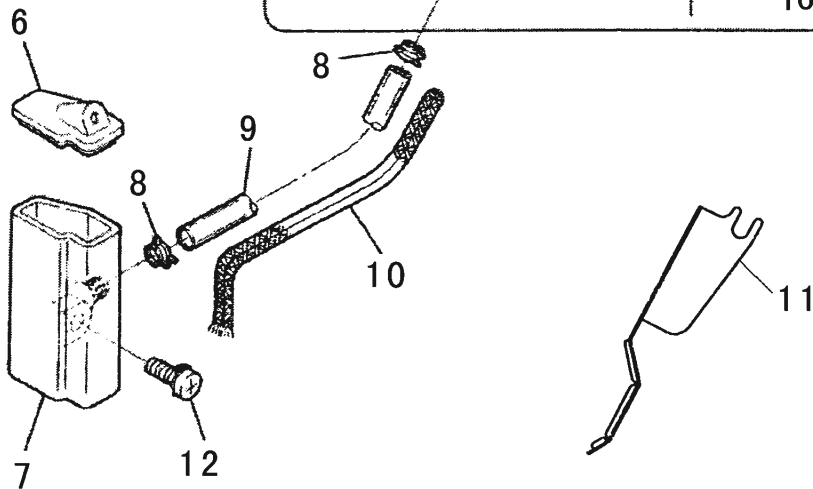
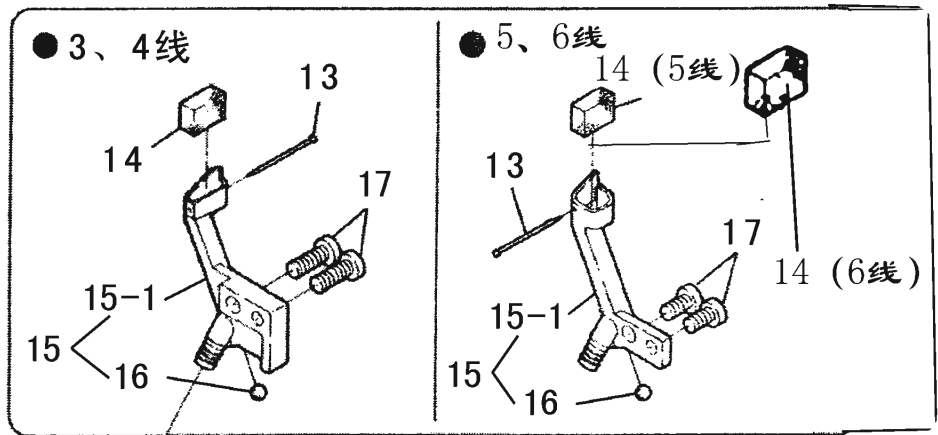
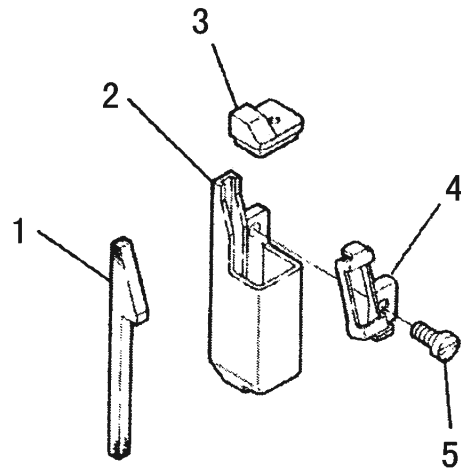
| 序号 | 图号 | 名称 | | 3 线 | 4 线 | 5 线 | 5 宽 | 5 厚 | 6 线 | 备注 |
|----|----------------|------------|----------------------------------|--------|--------|--------|--------|--------|--------|----|
| | | 中文 | 英文 | | | | | | | |
| 1 | 201.18-01 | 过线板 | Thread Tension Disk | 1 | 1 | 1 | 1 | 1 | 1 | |
| 2 | 201.18-02A | 下弯针过线板 (A) | Lower Looper Thread Guide Disk A | 1 | | 1 | 1 | | 1 | |
| | 202.18-02A | 下弯针过线板 (A) | Lower Looper Thread Guide Disk A | | 1 | | | 1 | | |
| 3 | 01-504000821-1 | 过线板螺钉 | Screw | 1 | 1 | 1 | 1 | 1 | 1 | |
| 4 | 201.18-04 | 上弯针过线板 (A) | Upper Looper Thread Guide Disk A | 1 | 1 | 1 | 1 | | 1 | |
| | 204.18-04 | 上弯针过线板 (A) | Upper Looper Thread Guide Disk A | | | | | 1 | | |
| 5 | 201.18-05 | 弯针过线板 (B) | Looper Thread Guide Disk B | 2 | 2 | 2 | 2 | 2 | 2 | |
| 6 | 201.18-06 | 上弯针过线板 (C) | Upper Looper Thread Guide Disk C | 1 | 1 | 1 | 1 | 1 | 1 | |
| 7 | 01-504000821-1 | 上弯针过线板螺钉 | Screw | 1 | 1 | 1 | 1 | 1 | 1 | |
| 8 | 201.18-08 | 下弯针过线板 (C) | Lower Looper Thread Guide Disk C | 1 | 1 | 1 | 1 | 1 | 1 | |
| 9 | 201.18-09 | 过线板调整架 | Adjusting Bracket | 1 | 1 | 1 | 1 | 1 | 1 | |
| 10 | 05-032050700-1 | 过线板螺钉垫片 | Gasket | 2 | 2 | 2 | 2 | 2 | 2 | |
| 11 | 01-503000421-1 | 上弯针过线板螺钉 | Screw | 3 | 3 | 3 | 3 | 3 | 3 | |

5、6线



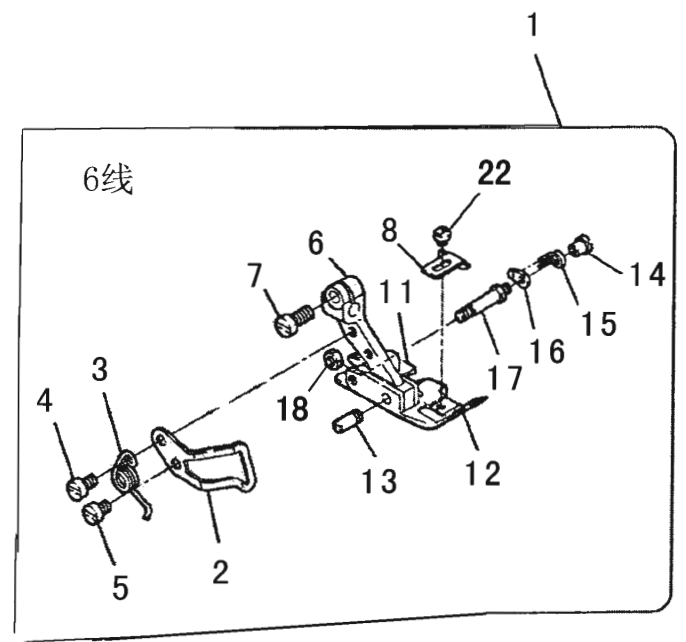
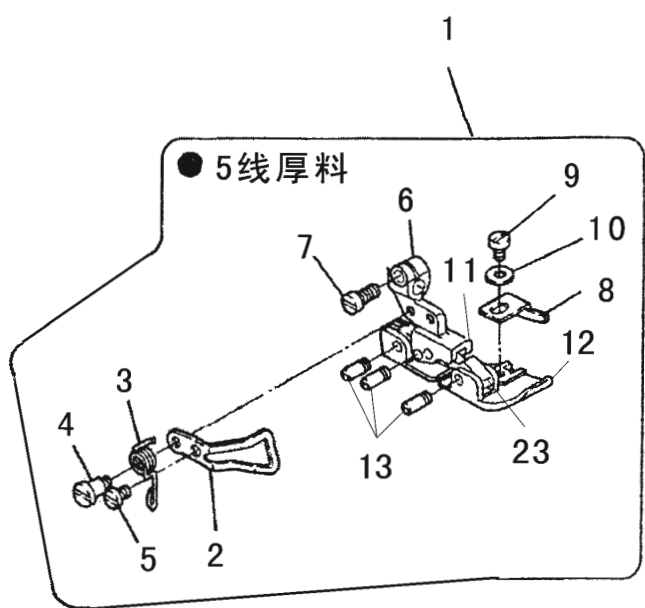
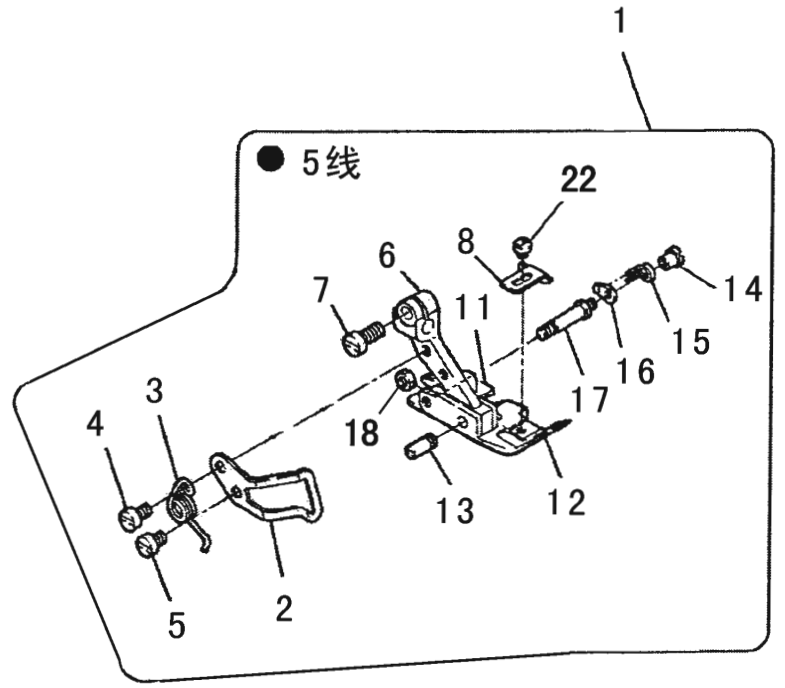
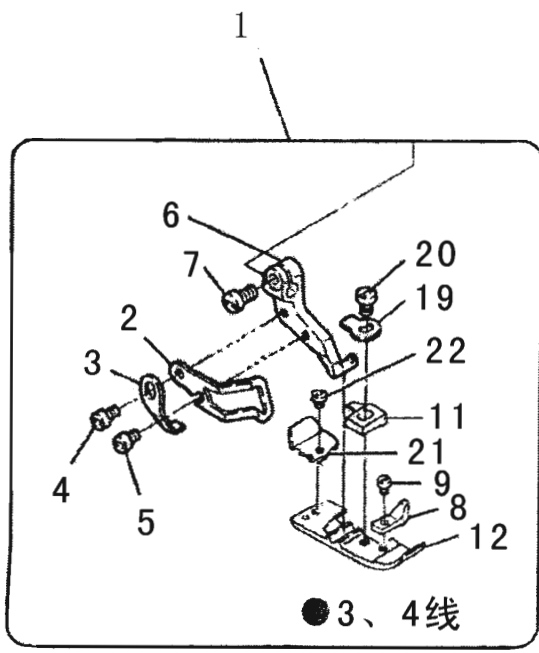
19. 过线件部分(3)

| 序号 | 图号 | 名称 | | 3 线 | 4 线 | 5 线 | 5 宽 | 5 厚 | 6 线 | 备注 |
|------|----------------|----------|--------------------------|--------|--------|--------|--------|--------|--------|----|
| | | 中文 | 英文 | | | | | | | |
| 1 | 203. 19-01 | 短过线管 | Thread Pipe (short) | | | 1 | 1 | 1 | 1 | |
| 2 | 203. 19-02 | 过线管夹 | Thread Pipe Clamp | | | 3 | 3 | 3 | 3 | |
| 3 | 01-404000823-1 | 过线管夹固定螺钉 | Screw | | | 1 | 1 | 1 | 1 | |
| 4 | 203. 19-04 | 长过线管 | Thread Pipe (long) | | | 1 | 1 | 1 | 1 | |
| 5 | 203. 19-05 | 过线环 | Thread Ring | | | 1 | 1 | 1 | 1 | |
| 6 | 203. 19-06 | 前弯针导线架组件 | Components | | | 1 | 1 | 1 | 1 | |
| 7 | 203. 19-06-01 | 过线板 A | Thread Tension Disk A | | | (1) | (1) | (1) | (1) | |
| 8 | 01-503000421-1 | 过线板螺钉 | Screw | | | (2) | (2) | (2) | (2) | |
| 9 | 203. 19-06-03 | 过线板B | Thread Tension Disk B | | | (1) | (1) | (1) | (1) | |
| 10 | 203. 19-06-04 | 导线架 | Thread Guide Rack | | | (1) | (1) | (1) | (1) | |
| 11 | 203. 19-06-05 | 压线螺钉 | Screw | | | (1) | (1) | (1) | (1) | |
| 12 | 203. 19-06-06 | 压线板 | Thread Presser Disk | | | (2) | (2) | (2) | (2) | |
| 13 | 203. 19-06-07 | 压线簧 | Thread Presser Spring | | | (1) | (1) | (1) | (1) | |
| 14 | 203. 19-06-08 | 压线螺母 | Thread Presser Nut | | | (1) | (1) | (1) | (1) | |
| 15 | 201. 03-07 | 波形弹性垫圈 | Elastic Cushion | | | (2) | (2) | (2) | (2) | |
| 16 | 201. 03-08 | 导线架螺钉 | Screw | | | (1) | (1) | (1) | (1) | |
| 17 | 203. 19-06-11 | 导线板 | Thread Guide Disk | | | (1) | (1) | (1) | (1) | |
| 18 | 01-504000521-1 | 导线板螺钉 | Screw | | | (1) | (1) | (1) | (1) | |
| 19 | 203. 19-07 | 张力变换凸轮组件 | Tension Changing Cam ASM | | | 1 | 1 | 1 | 2 | |
| 19-1 | 203. 19-07-01 | 张力变换凸轮 | Tension Changing Cam | | | (1) | (1) | (1) | (1) | |
| 20 | 01-803000314-1 | 凸轮轴套紧定螺钉 | Setscrew | | | (2) | (2) | (2) | (2) | |
| 21 | 203. 19-08 | 过线板 | Thread Tension Disk | | | 1 | 1 | 1 | 1 | |
| 22 | 01-404000623-1 | 过线板螺钉 | Screw | | | 1 | 1 | 1 | 1 | |



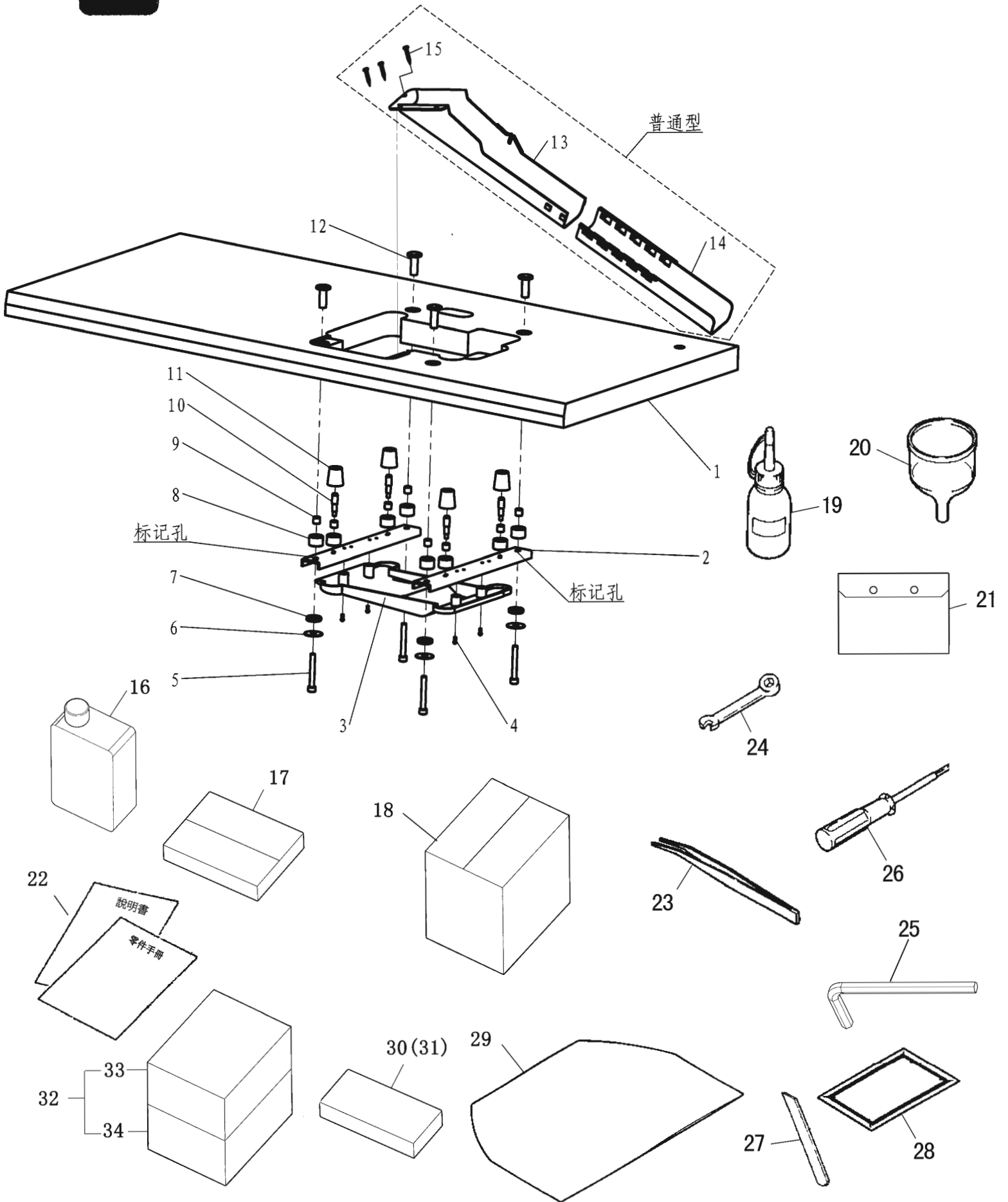
20. 硅油装置部分

| 序号 | 图号 | 名称 | | 3 线 | 4 线 | 5 线 | 5 宽 | 5 厚 | 6 线 | 备注 |
|------|----------------|-----------|---------------------------|--------|--------|--------|--------|--------|--------|----|
| | | 中文 | 英文 | | | | | | | |
| 1 | 201.20-01 | 滤油毡 | Filter Felt | 1 | 1 | | | | | |
| | 203.20-01 | 滤油毡 | Filter Felt | | | 1 | 1 | 1 | 1 | |
| 2 | 201.20-02 | 硅油盒 | Silicon Oil Box | 1 | 1 | 1 | 1 | 1 | 1 | |
| 3 | 201.20-03 | 油箱盒盖 | Box Cover | 1 | 1 | 1 | 1 | 1 | 1 | |
| 4 | 201.20-04 | 压板 | Presser Disk | 1 | 1 | | | | | |
| | 203.20-04 | 压板 | Presser Disk | | | 1 | 1 | 1 | 1 | |
| 5 | 01-404001023-1 | 压板螺钉 | Screw | 1 | 1 | 1 | 1 | 1 | 1 | |
| 6 | 201.20-06 | 小油箱盖 | Tank Cover | 1 | 1 | 1 | 1 | 1 | 1 | |
| 7 | 201.20-07A | 小油箱 | Tank Small | 1 | 1 | 1 | 1 | 1 | 1 | |
| 8 | 201.20-08A | 卡簧 | Spring | 2 | 2 | 2 | 2 | 2 | 2 | |
| 9 | 201.20-09 | 油管 | Oil Pipe | 1 | 1 | 1 | 1 | 1 | 1 | |
| 10 | 201.20-10 | 油线 | Oil Thread | 1 | 1 | 1 | 1 | 1 | 1 | |
| 11 | 201.20-11 | 挡板 | Thrust | 1 | 1 | 1 | 1 | 1 | 1 | |
| 12 | 18-404001223-3 | 小油箱固定螺钉 | Setscrew (zinc) | 1 | 1 | 1 | 1 | 1 | 1 | |
| 13 | 201.20-13 | 机针冷却器油线钉 | Screw | 1 | 1 | 1 | 1 | 1 | 1 | |
| 14 | 201.20-14 | 油毡 | Felt | 1 | 1 | | | | | |
| | 203.20-14 | 油毡 | Felt | | | 1 | 1 | 1 | | |
| | 205.20-14 | 油毡 | Felt | | | | | | 1 | |
| 15 | 201.20-15 | 机针冷却器组件 | Needle Fridger Components | 1 | 1 | | | | | |
| 15-1 | 201.20-15-01 | 机针冷却器 | Needle Fridger | (1) | (1) | | | | | |
| 15 | 203.20-15 | 机针冷却器组件 | Needle Fridger Components | | | 1 | 1 | 1 | 1 | |
| 15-1 | 203.20-15-01 | 机针冷却器 | Needle Fridger | | | (1) | (1) | (1) | (1) | |
| 16 | 201.20-15-02 | 钢球 | Steel Ball | (1) | (1) | (1) | (1) | (1) | (1) | |
| 17 | 01-404000823-1 | 机针冷却器固定螺钉 | Setscrew | | | 2 | 2 | 2 | 2 | |
| | 01-404001223-1 | 机针冷却器固定螺钉 | Setscrew | 2 | 2 | | | | | |



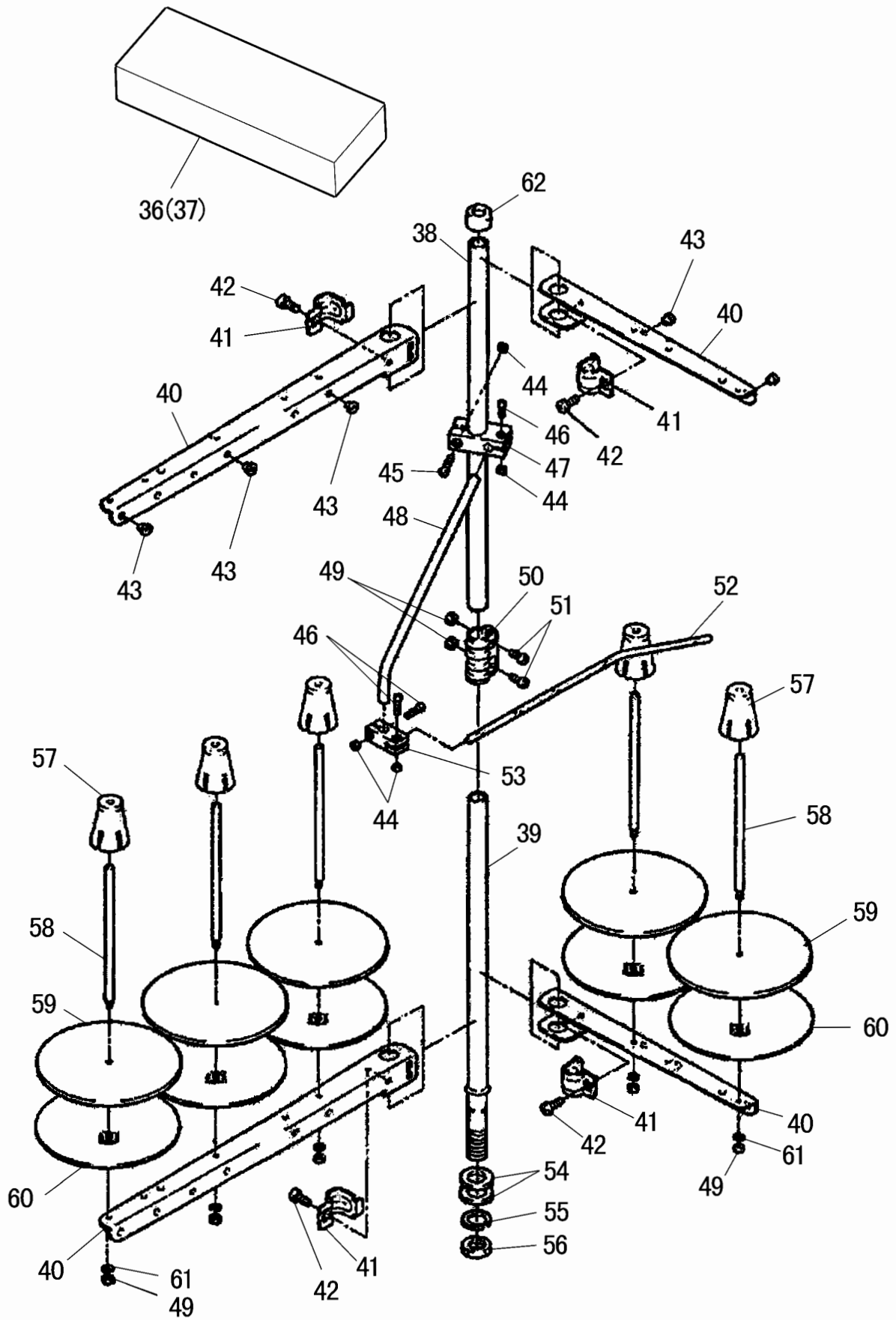
21. 压脚部分

| 序号 | 图号 | 名称 | | 3 线 | 4 线 | 5 线 | 5 宽 | 5 厚 | 6 线 | 备注 |
|----|----------------|------------|----------------------------|--------|--------|--------|--------|--------|--------|----|
| | | 中文 | 英文 | | | | | | | |
| 1 | 225.21-01 | 压脚组件 | Presser Foot Components | 1 | | | | | | |
| | 226.21-01 | 压脚组件 | Presser Foot Components | | 1 | | | | | |
| | 203.21-01 | 压脚组件 | Presser Foot Components | | | 1 | | | | |
| | 204.21-01 | 压脚组件 | Presser Foot Components | | | | | 1 | | |
| | 205.21-01 | 压脚组件 | Presser Foot Components | | | | 1 | | | |
| | 206.21-01 | 压脚组件 | Presser Foot Components | | | | | | 1 | |
| 2 | 201.21-01-01 | 护指器 | Stopper | (1) | (1) | | | | | |
| | 203.21-01-01 | 护指器 | Stopper | | | (1) | (1) | | (1) | |
| | 204.21-01-01 | 护指器 | Stopper | | | | | (1) | | |
| 3 | 201.21-01-02 | 压脚弹簧 | Presser Foot Spring | (1) | (1) | | | | | |
| | 203.21-01-02 | 压脚弹簧 | Presser Foot Spring | | | (1) | (1) | | (1) | |
| | 204.21-01-02 | 压脚弹簧 | Presser Foot Spring | | | | | (1) | | |
| 4 | 01-503000521-1 | 压脚弹簧固定螺钉 | Setscrew | (1) | (1) | (1) | (1) | (1) | (1) | |
| 5 | | 护指器固定螺钉 | Setscrew | (1) | (1) | (1) | (1) | (1) | (1) | |
| 6 | 201.21-01-05 | 压脚柄 | Presser Foot Crank | (1) | (1) | | | | | |
| | 203.21-01-05 | 压脚柄 | Presser Foot Crank | | | (1) | | | (1) | |
| | 204.21-01-05 | 压脚柄 | Presser Foot Crank | | | | | (1) | | |
| | 205.21-01-05 | 压脚柄 | Presser Foot Crank | | | | (1) | | | |
| 7 | 01-535000821-1 | 压脚柄固定螺钉 | Screw | (1) | (1) | (1) | (1) | (1) | (1) | |
| 8 | 201.21-01-07 | 压脚小舌 | Stitch Tongue | (1) | (1) | | | | | |
| | 203.21-01-07 | 压脚小舌 | Stitch Tongue | | | (1) | (1) | | | |
| | 204.21-01-07 | 压脚小舌 | Stitch Tongue | | | | | (1) | | |
| | 206.21-01-07 | 压脚小舌 | Stitch Tongue | | | | | | (1) | |
| 9 | 02-506560421-1 | 压脚小舌固定螺钉 | Stitch Tongue Setscrew | (1) | (1) | | | (1) | | |
| 10 | 204.21-01-09 | 压脚小舌固定螺钉垫片 | Gasket | | | | | (1) | | |
| 11 | 201.21-01-10 | 小压脚 | Presser Foot (small) | (1) | | | | | | |
| | 202.21-01-10 | 小压脚 | Presser Foot (small) | | (1) | | | | | |
| | 203.21-01-10 | 小压脚 | Presser Foot (small) | | | (1) | | | (1) | |
| | 204.21-01-10 | 小压脚 | Presser Foot (small) | | | | | (1) | | |
| | 205.21-01-10 | 小压脚 | Presser Foot (small) | | | | (1) | | | |
| 12 | 201.21-01-11G | 压脚底板 | Presser Foot Plate | (1) | (1) | | | | | |
| | 203.21-01-11 | 压脚底板 | Presser Foot Plate | | | (1) | | | | |
| | 204.21-01-11 | 压脚底板 | Presser Foot Plate | | | | | (1) | | |
| | 205.21-01-11 | 压脚底板 | Presser Foot Plate | | | | (1) | | | |
| | 206.21-01-11 | 压脚底板 | Presser Foot Plate | | | | | | (1) | |
| 13 | 203.21-01-12 | 压脚底板连接螺钉 | Screw | | | (1) | (1) | | (1) | |
| | 204.21-01-12 | 压脚底板连接螺钉 | Screw | | | | | (1) | | |
| 14 | 203.21-01-13 | 小压脚固定螺母 | Nut | | | (1) | (1) | | (1) | |
| 15 | 203.21-01-14 | 小压脚弹簧 | Presser Foot Spring | | | (1) | (1) | | (1) | |
| 16 | 203.21-01-15 | 小压脚弹簧定位片 | Positioning Plate | | | (1) | (1) | | (1) | |
| 17 | 203.21-01-16 | 小压脚活动轴 | Moving Shaft | | | (1) | (1) | | (1) | |
| 18 | 203.21-01-17 | 锁紧螺母 | Setscrew | | | (1) | (1) | | (1) | |
| 19 | 201.21-01-18 | 压脚柄压板 | Presser Plate | (1) | (1) | | | | | |
| 20 | 02-508440623-1 | 压脚柄压板固定螺钉 | Setscrew | (1) | (1) | | | | | |
| 21 | 201.21-01-20G | 挡布板 | Retainer | (1) | (1) | | | | | |
| 22 | 02-506560321-1 | 挡布板固定螺钉 | Setscrew | (1) | (1) | (1) | (1) | | (1) | |
| 23 | 204.21-01-22 | 压脚支撑板 | Presser Foot Support Plate | | | | | (1) | | |



22. 附件部分（一）

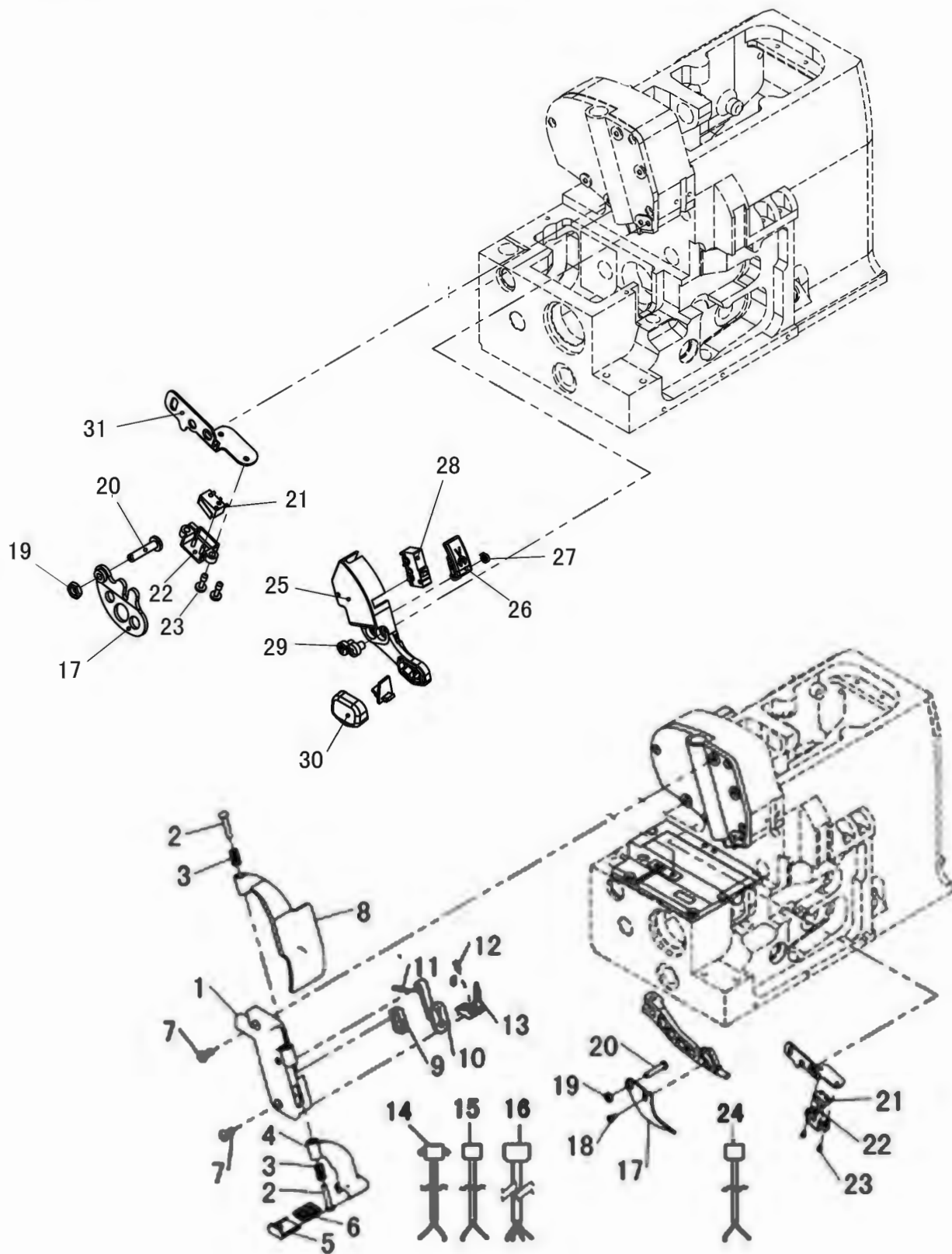
| 序号 | 图号 | 名称 | | 3 线 | 4 线 | 5 线 | 5 宽 | 5 厚 | 6 线 | 备注 |
|----|-----------------|---------------|---------------------------|--------|--------|--------|--------|--------|--------|----|
| | | 中文 | 英文 | | | | | | | |
| 1 | 210.22-01G1 | 台板 | Table(Semi-Sunken) | {1} | {1} | {1} | {1} | {1} | {1} | |
| 2 | 209.22-11 | 托架 | Bracket | {2} | {2} | {2} | {2} | {2} | {2} | |
| 3 | 209.22-15 | 台板托盘 | Frame Holding Plate | {1} | {1} | {1} | {1} | {1} | {1} | |
| 4 | 209.22-16 | 固定套 | Fixed Sleeve | {4} | {4} | {4} | {4} | {4} | {4} | |
| 5 | 209.22-14 | 定位螺钉销 | Positioning Screw Pin | {4} | {4} | {4} | {4} | {4} | {4} | |
| 6 | 201.22-07-08-03 | 机头防震销垫 | Dust-Proof Rubber | {4} | {4} | {4} | {4} | {4} | {4} | |
| 7 | 01-508004524-1 | 台板托盘螺钉 | Fram Holding Plate Screw | {4} | {4} | {4} | {4} | {4} | {4} | |
| 8 | 311.20-15 | 垫片2 | Gasket 2 | {12} | {12} | {12} | {12} | {12} | {12} | |
| 9 | 01-404000823-1 | 托盘螺钉 | Tray Screw | {4} | {4} | {4} | {4} | {4} | {4} | |
| 10 | 311.20-17 | 橡胶套 | Rvbber Sleeve | {4} | {4} | {4} | {4} | {4} | {4} | |
| 11 | 311.20-16 | 内套 | Inner Sleeve | {4} | {4} | {4} | {4} | {4} | {4} | |
| 12 | 311.20-14 | 垫片1 | Gasket 1 | {4} | {4} | {4} | {4} | {4} | {4} | |
| 13 | 201.22-07-08-04 | 台板固定螺套 | Holding Plate Bolt | {4} | {4} | {4} | {4} | {4} | {4} | |
| 14 | 201.22-07-02 | 漏斗槽上段 | Cloth Waste Chute Upper | {1} | {1} | {1} | {1} | {1} | {1} | |
| 15 | 201.22-07-03 | 漏斗槽下段 | Cloth Waste Chute Lower | {1} | {1} | {1} | {1} | {1} | {1} | |
| 16 | 201.22-07-04 | 漏斗槽上段螺钉 | Setscrew | {3} | {3} | {3} | {3} | {3} | {3} | |
| 16 | 201.22-06A | 大油壶组件 | | {1} | {1} | {1} | {1} | {1} | {1} | |
| 17 | 201.22-07 | 大附件箱组件 | Big Accessories Box Asm | {1} | {1} | {1} | {1} | {1} | {1} | |
| 18 | 210.22-04 | 外包装箱 | Packing Box (Outside) | {1} | {1} | {1} | {1} | {1} | {1} | |
| 19 | 201.22-07-08-09 | 小油壶 | Oil Container | {1} | {1} | {1} | {1} | {1} | {1} | |
| 20 | 201.22-07-08-10 | 油漏斗 | Oil Funnel | {1} | {1} | {1} | {1} | {1} | {1} | |
| 21 | 201.22-07-08-11 | 附件袋 | Accessories Bag | {1} | {1} | {1} | {1} | {1} | {1} | |
| 22 | 210.22-05 | 说明书 | Instruction Manual | {1} | {1} | {1} | {1} | {1} | {1} | |
| 23 | 201.22-07-08-13 | 镊子 | Tweezers | {1} | {1} | {1} | {1} | {1} | {1} | |
| 24 | 201.22-07-08-14 | 双头扳手S8 | Double-ended Spanner S8 | {1} | {1} | {1} | {1} | {1} | {1} | |
| 25 | 201.22-07-08-15 | 内六角扳手S6 | Hexagon Spanner S6 | {1} | {1} | {1} | {1} | {1} | {1} | |
| 26 | 201.22-07-08-16 | 有柄内六角扳手S1.5 | Hexagon Spanner S1.5 | {1} | {1} | {1} | {1} | {1} | {1} | |
| 27 | 201.11-21 | 下切刀 | Knife | {1} | {1} | {1} | {1} | {1} | {1} | |
| 28 | 201.05-32 | 机针 (DC×27#9) | Needle | {2} | {2} | | | | | |
| | 201.05-32G | 机针 (DC×27#11) | Needle | {2} | {2} | | | | | |
| | 203.05-32 | 机针 (DC×27#14) | Needle | | | {2} | {2} | | {3} | |
| | 204.05-32 | 机针 (DC×27#21) | Needle | | | | {2} | | | |
| 29 | 201.22-07-08-02 | 防尘罩 | Dust-Proof Cap | {1} | {1} | {1} | {1} | {1} | {1} | |
| 30 | 201.22-07-08 | 附件箱组件 | Small Accessories Box Asm | {1} | {1} | {1} | {1} | {1} | {1} | |
| 31 | 201.22-07-08-01 | 附件箱 (C) | Small Accessories Box (C) | {1} | {1} | {1} | {1} | {1} | {1} | |
| 32 | 210.22-03G | 泡沫箱组件 | Foam Box ASM | {1} | {1} | {1} | {1} | {1} | {1} | |
| 33 | 210.22-03-01G | 泡沫箱 (上) | Foam Box (Up) | {1} | {1} | {1} | {1} | {1} | {1} | |
| 34 | 210.22-03-02G | 泡沫箱 (下) | Foam Box (Down) | {1} | {1} | {1} | {1} | {1} | {1} | |
| 35 | 201.22-06A | 大油壶 | Oil Pot | {1} | {1} | {1} | {1} | {1} | {1} | |



22. 附件部分（二）

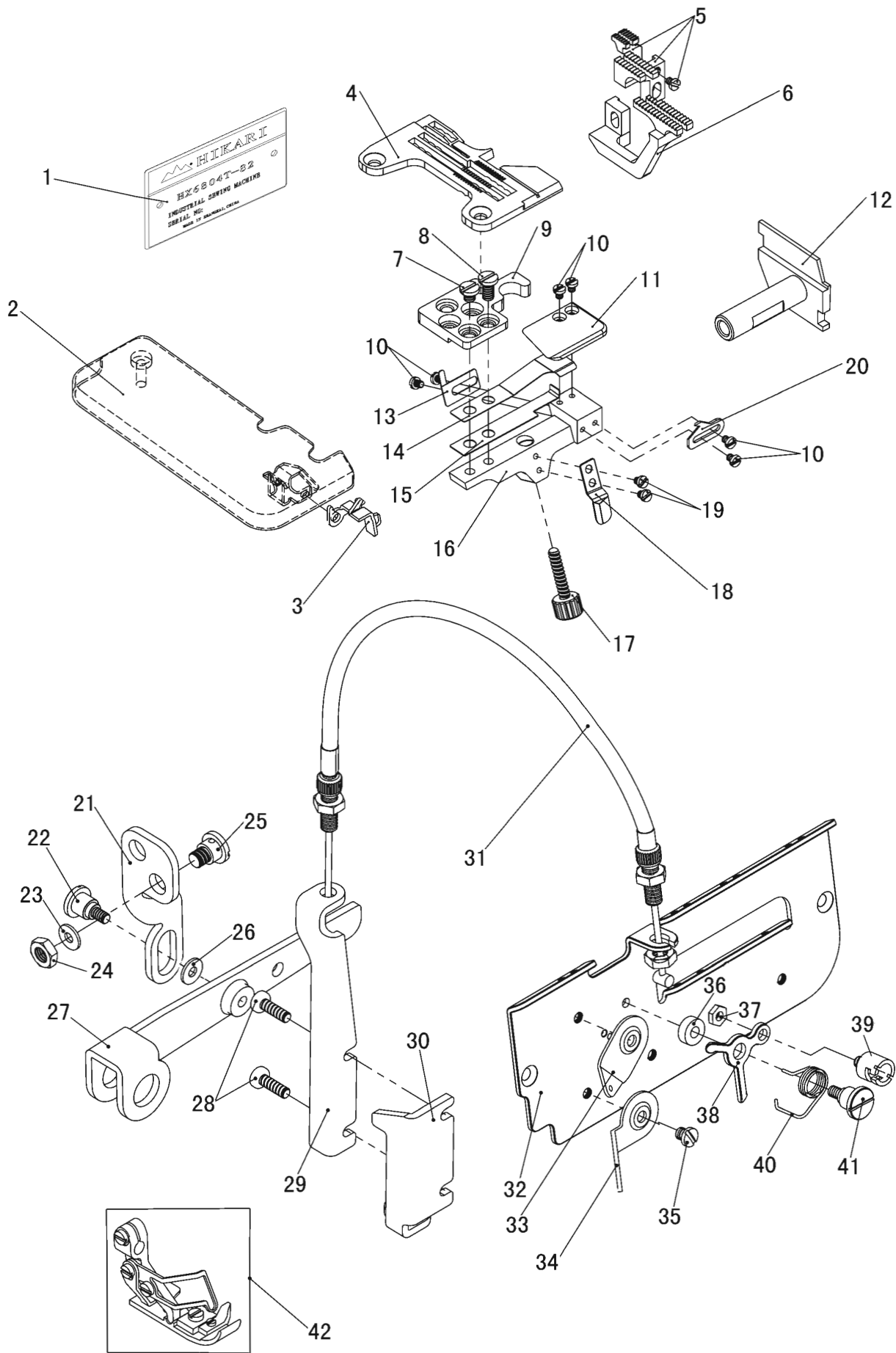
| 序号 | 图号 | 名称 | | 3 线 | 4 线 | 5 线 | 5 宽 | 5 厚 | 6 线 | 备注 |
|----|-----------------|---------|-----------------------------------|--------|--------|--------|--------|--------|--------|----|
| | | 中文 | 英文 | | | | | | | |
| 36 | 201.22-07-09 | 中附件箱组件 | Center Accessories Box ASM | (1) | | | | | | |
| | 202.22-07-09 | 中附件箱组件 | Center Accessories Box ASM | | (1) | | | | | |
| | 203.22-07-09 | 中附件箱组件 | Center Accessories Box ASM | | | (1) | (1) | (1) | | |
| | 206.22-07-09 | 中附件箱组件 | Center Accessories Box ASM | | | | | | (1) | |
| 37 | 201.22-07-09-01 | 中附件箱（B） | Center Accessories Box（B） | {1} | {1} | {1} | {1} | {1} | {1} | |
| 38 | 201.22-07-09-02 | 线架上管 | Thread Standing Pipe (upper) | {1} | {1} | {1} | {1} | {1} | {1} | |
| 39 | 201.22-07-09-03 | 线架下管 | Thread Standing Pipe (lower) | {1} | {1} | {1} | {1} | {1} | {1} | |
| 40 | 201.22-07-09-04 | 过线臂（长） | Thread Guide Arm (long) | {2} | | {2} | {2} | {2} | {2} | |
| | 202.22-07-09-04 | 过线臂（短） | Thread Guide Arm (short) | | {4} | {2} | {2} | {2} | {2} | |
| 41 | 201.22-07-09-05 | 张扣 | Thread Guide Arm Joint | {2} | {4} | {4} | {4} | {4} | {4} | |
| 42 | 201.22-07-09-06 | 张扣螺钉 | Thread Guide Arm Joint Screw | {2} | {4} | {4} | {4} | {4} | {4} | |
| 43 | 201.22-07-09-07 | 过线磁眼 | Thread Guide Hole | {3} | {4} | {5} | {5} | {5} | {5} | |
| 44 | 201.22-07-09-08 | 螺母 | Nut | {2} | {4} | {4} | {4} | {4} | {4} | |
| 45 | 201.22-07-09-09 | 大固定夹螺钉A | Setscrew A | {1} | {1} | {1} | {1} | {1} | {1} | |
| 46 | 201.22-07-09-10 | 固定夹螺钉B | Setscrew B | {3} | {3} | {3} | {3} | {3} | {3} | |
| 47 | 201.22-07-09-11 | 大固定夹 | Thread Standing Guide Base(big) | {1} | {1} | {1} | {1} | {1} | {1} | |
| 48 | 201.22-07-09-12 | 固定夹连接杆 | Thread Standing Guide Arm | {1} | {1} | {1} | {1} | {1} | {1} | |
| 49 | 201.22-07-09-13 | 螺母 | Nut | {5} | {6} | {7} | {7} | {7} | {7} | |
| 50 | 201.22-07-09-14 | 上下管接头 | Thread Standing Rod Joint | {1} | {1} | {1} | {1} | {1} | {1} | |
| 51 | 201.22-07-09-15 | 接头螺钉 | Screw | {2} | {2} | {2} | {2} | {2} | {2} | |
| 52 | 201.22-07-09-16 | 穿线杆 | Thread Standing Thread Guide | {1} | {1} | {1} | {1} | {1} | {1} | |
| 53 | 201.22-07-09-17 | 小固定夹 | Thread Standing Guide Base(small) | {1} | {1} | {1} | {1} | {1} | {1} | |
| 54 | 201.22-07-09-18 | 下管垫片 | Washer | {2} | {2} | {2} | {2} | {2} | {2} | |
| 55 | 201.22-07-09-19 | 弹簧垫 | Spring Washer | {1} | {1} | {1} | {1} | {1} | {1} | |
| 56 | 201.22-07-09-20 | 大螺母 | Big Nut | {1} | {1} | {1} | {1} | {1} | {1} | |
| 57 | 201.22-07-09-21 | 线圈芯 | Spool Retainer | {3} | {4} | {5} | {5} | {5} | {5} | |
| 58 | 201.22-07-09-22 | 线圈轴 | Spool Pin | {3} | {4} | {5} | {5} | {5} | {5} | |
| 59 | 201.22-07-09-23 | 线盘垫 | Spool Rest Cushion | {3} | {4} | {5} | {5} | {5} | {5} | |
| 60 | 201.22-07-09-24 | 线盘 | Spool Rest | {3} | {4} | {5} | {5} | {5} | {5} | |
| 61 | 201.22-07-09-25 | 弹性垫圈 | Spring Washer | {3} | {4} | {5} | {5} | {5} | {5} | |
| 62 | 201.22-07-09-26 | 上管盖帽 | Thread Stand Rod Rubber Cap | {1} | {1} | {1} | {1} | {1} | {1} | |

本页仅供参考



23. 参考部件

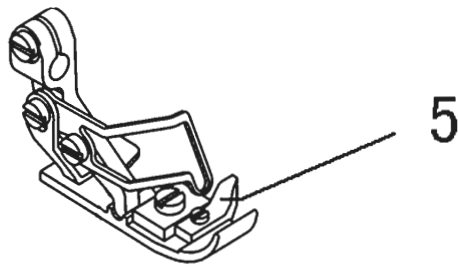
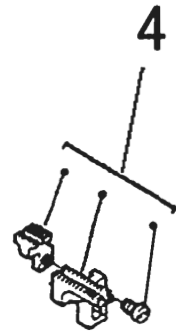
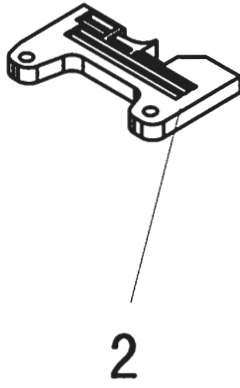
| 序号 | 图号 | 名称 | | 3 线 | 4 线 | 5 线 | 5 宽 | 5 厚 | 6 线 | 备注 |
|----|----------------|-------------|--------------------------------|--------|--------|--------|--------|--------|--------|----|
| | | 中文 | 英文 | | | | | | | |
| 1 | 246.27-01 | 感应器前盖 | Automatic Sensor Bracket | 1 | 1 | 1 | 1 | 1 | 1 | |
| 2 | 01-404002323-3 | 螺钉 | Screw | 2 | 2 | 2 | 2 | 2 | 2 | |
| 3 | 246.27-41 | 护目镜弹簧 | Eye Protection Glasses Spring | 2 | 2 | 2 | 2 | 2 | 2 | |
| 4 | 246.26-01 | 照明灯外罩 | Lamp Housing | 1 | 1 | 1 | 1 | 1 | 1 | |
| 5 | 246.26-02 | 照明灯外罩盖 | Lamp Housing Cover | 1 | 1 | 1 | 1 | 1 | 1 | |
| 6 | JL-05 | LED照明灯 | LED Lighting | 1 | 1 | 1 | 1 | 1 | 1 | |
| 7 | 01-404001023-1 | 螺钉 | Screw | 2 | 2 | 2 | 2 | 2 | 2 | |
| 8 | 246.26-03 | 护目镜 | Eye Protection Glasses | 1 | 1 | 1 | 1 | 1 | 1 | |
| 9 | S-3-SS5F | 微动开关 | Micro Switch | 1 | 1 | 1 | 1 | 1 | 1 | |
| 10 | 246.27-02 | 剪刀按钮 | Scissors Button | 1 | 1 | 1 | 1 | 1 | 1 | |
| 11 | 246.27-21 | 剪刀按钮弹簧 | Scissors Button Spring | 1 | 1 | 1 | 1 | 1 | 1 | |
| 12 | D-210 | 发射管 | Launch Tube | 1 | 1 | 1 | 1 | 1 | 1 | |
| 13 | 246.27-03 | 发射感应器外壳 | Launch Sensor Housing | 1 | 1 | 1 | 1 | 1 | 1 | |
| 14 | L-N17 | 照明灯连接线 | Lighting Cable ASM | 1 | 1 | 1 | 1 | 1 | 1 | |
| 15 | L-N16 | 剪线连接线 | Cut Line Cable ASM | 1 | 1 | 1 | 1 | 1 | 1 | |
| 16 | L-N15 | 电眼信号(发射)线 | Sensor Cable ASM(launch) | 1 | 1 | 1 | 1 | 1 | 1 | |
| 17 | 246.27-04 | 护片 | Conservation Piece | 1 | 1 | | | | | |
| | 210.27-04 | 护片 | Conservation Piece | | | 1 | 1 | 1 | 1 | |
| 18 | 01-503000421-1 | 螺钉 | Screw | 1 | 1 | 1 | 1 | 1 | 1 | |
| 19 | 03-604000220-3 | 六角螺母(薄) | Nut | 1 | 1 | 1 | 1 | 1 | 1 | |
| 20 | 210.27-05 | 微动开关调整螺杆 | Micro Switch Adjustment Screw | 1 | 1 | 1 | 1 | 1 | 1 | |
| 21 | 210.27-28 | 微动开关(弹片式) | Micro Switch (shrapnel-type) | 1 | 1 | 1 | 1 | 1 | 1 | |
| 22 | 210.27-07 | 安全开关外罩 | Safety Switch Housing | 1 | 1 | 1 | 1 | 1 | 1 | |
| 23 | 01-403000623-1 | 十字一字槽盘头螺钉 | Screw | 2 | 2 | 2 | 2 | 2 | 2 | |
| 24 | L-N19 | 安全开关连接线(压板) | Safety Switch Cable (presser f | 1 | 1 | 1 | 1 | 1 | 1 | |
| 25 | 210.27-01 | 自动感应器支架 | Automatic Sensor Bracket | 1 | 1 | 1 | 1 | 1 | 1 | |
| 26 | 210.27-02 | 剪刀按钮 | Scissors Button | 1 | 1 | 1 | 1 | 1 | 1 | |
| 27 | 210.27-21 | 安全开关复位簧 | Safety Switch Reset Spring | 1 | 1 | 1 | 1 | 1 | 1 | |
| 28 | 210.27-27 | 微动开关 | Micro Switch | 1 | 1 | 1 | 1 | 1 | 1 | |
| 29 | 01-404000823-1 | 十字一字槽盘头螺钉 | Screw | 2 | 2 | 2 | 2 | 2 | 2 | |
| 30 | 210.27-03 | 启动感应器盖 | Start Sensor Lid | 1 | 1 | 1 | 1 | 1 | 1 | |
| 31 | 210.27-06 | 压板 | Platen | 1 | 1 | 1 | 1 | 1 | 1 | |



24. HX6804(T)-82三线、HX6814(T)-83四线倒回缝(封口机)专用件

| 序号 | 图号 | 名称 | | 三线 | 四线 A | 四线 B | 备注 |
|----|----------------|----------|----------------------------------|----|---------|---------|----|
| | | 中文 | 英文 | | | | |
| 1 | H0-004 | 综合型号牌 | Comprehensive Model Plate | 1 | 1 | 1 | |
| 2 | 207.03-22G | 缝台组件 | Cloth Base ASM | 1 | 1 | 1 | |
| 3 | 207.03-27 | 缝台闸 | Cloth Base Switch-type Stopper | 1 | 1 | 1 | |
| 4 | 207.06-17G1 | 针板 | Needle Plate | 1 | | | |
| | 208.06-17G1 | 针板 | Needle Plate | | | 1 | |
| | 208.06-17G | 针板 | Needle Plate | | 1 | | |
| 5 | 207.10-36 | 主送布牙组件 | Main Feed Dog Components | 1 | 1 | | |
| | 208.10-36 | 主送布牙组件 | Main Feed Dog Components | | | 1 | |
| 6 | 207.10-30 | 差动牙 | Ratio dog | 1 | 1 | | |
| | 208.10-30 | 差动牙 | Ratio dog | | | 1 | |
| 7 | 01-604000421-1 | 螺钉 | Screw | 1 | 1 | 1 | |
| 8 | 01-604000821-1 | 螺钉 | Screw | 1 | 1 | 1 | |
| 9 | 207.06-12G | 针板座 | Needle Plate Base | 1 | 1 | 1 | |
| 10 | 01-525000321-1 | 螺钉 | Screw | 6 | 6 | 6 | |
| 11 | 207.24-26 | 压线板 | Plate | 1 | 1 | 1 | |
| 12 | 207.11-19G | 下切刀架 | Lower Knife Slide Stud | 1 | 1 | 1 | |
| 13 | 207.24-25 | 线头定位钩 | Stopper | 1 | 1 | 1 | |
| 14 | 207.24-24 | 夹线簧片 | Thread Holder | 1 | 1 | 1 | |
| 15 | 207.24-23 | 调压簧片 | Spring | 1 | 1 | 1 | |
| 16 | 207.24-19 | 切刀座 | Plain Knife Support | 1 | 1 | 1 | |
| 17 | 207.24-22 | 调压螺钉 | Screw | 1 | 1 | 1 | |
| 18 | 207.24-20 | 止动簧片 | Stopper | 1 | 1 | 1 | |
| 19 | 01-525000221-1 | 螺钉 | Screw | 2 | 2 | 2 | |
| 20 | 207.24-21 | 割线刀 | Plain Knife | 1 | 1 | 1 | |
| 21 | 207.24-09 | 抬压杠杆连接板 | Bracket | 1 | 1 | 1 | |
| 22 | 207.24-11 | 螺钉 | Screw | 1 | 1 | 1 | |
| 23 | 05-064161200-1 | 垫圈 | Washer | 1 | 1 | 1 | |
| 24 | 03-606000350-1 | 螺母 | Nut | 1 | 1 | 1 | |
| 25 | 207.24-12 | 钢丝螺钉 | Screw | 1 | 1 | 1 | |
| 26 | 05-043101203-5 | 垫圈 | Washer | 1 | 1 | 1 | |
| 27 | 207.13-16 | 抬压脚杠杆组件 | Lifting Lever Link ASM | 1 | 1 | 1 | |
| 28 | 01-404001423-1 | 支撑板螺钉 | Screw | 2 | 2 | 2 | |
| 29 | 207.24-10 | 支撑板 | Bracket | 1 | 1 | 1 | |
| 30 | 201.13-19 | 抬压脚杠杆限位板 | Lifting Level Link Limited Board | 1 | 1 | 1 | |
| 31 | 207.24-13 | 松线钢丝组件 | Steel Wire ASM(Long) | 1 | 1 | 1 | |
| 32 | 207.16-03 | 过线板 | Thread Tension Plate | 1 | 1 | 1 | |
| 33 | 201.16-01 | 过线板C | Thread Tension Disk (C) | | 1 | 1 | |
| 34 | 201.16-01G | 过线板C | Thread Tension Disk (C) | 1 | | | |
| 35 | 02-611400621-1 | 过线板螺钉 | Screw | 1 | 1 | 1 | |
| 36 | 207.24-18 | 松线垫 | Separator Washer | 1 | 1 | 1 | |
| 37 | 03-604000320-1 | 螺母 | Nut | 1 | 1 | 1 | |
| 38 | 207.24-17 | 松线片 | Separator Plate | 1 | 1 | 1 | |
| 39 | 207.24-14 | 管螺丝 | Screw | 1 | 1 | 1 | |
| 40 | 207.24-16 | 松线扭簧 | Spring | 1 | 1 | 1 | |
| 41 | 207.24-15 | 台螺钉 | Screw | 1 | 1 | 1 | |
| 42 | 207.21-01 | 压脚组件 | Presser Foot Components | 1 | | | |
| | 208.21-01 | 压脚组件 | Presser Foot Components | | 1 | | |
| | 208.21-01G | 压脚组件 | Presser Foot Components | | | 1 | |

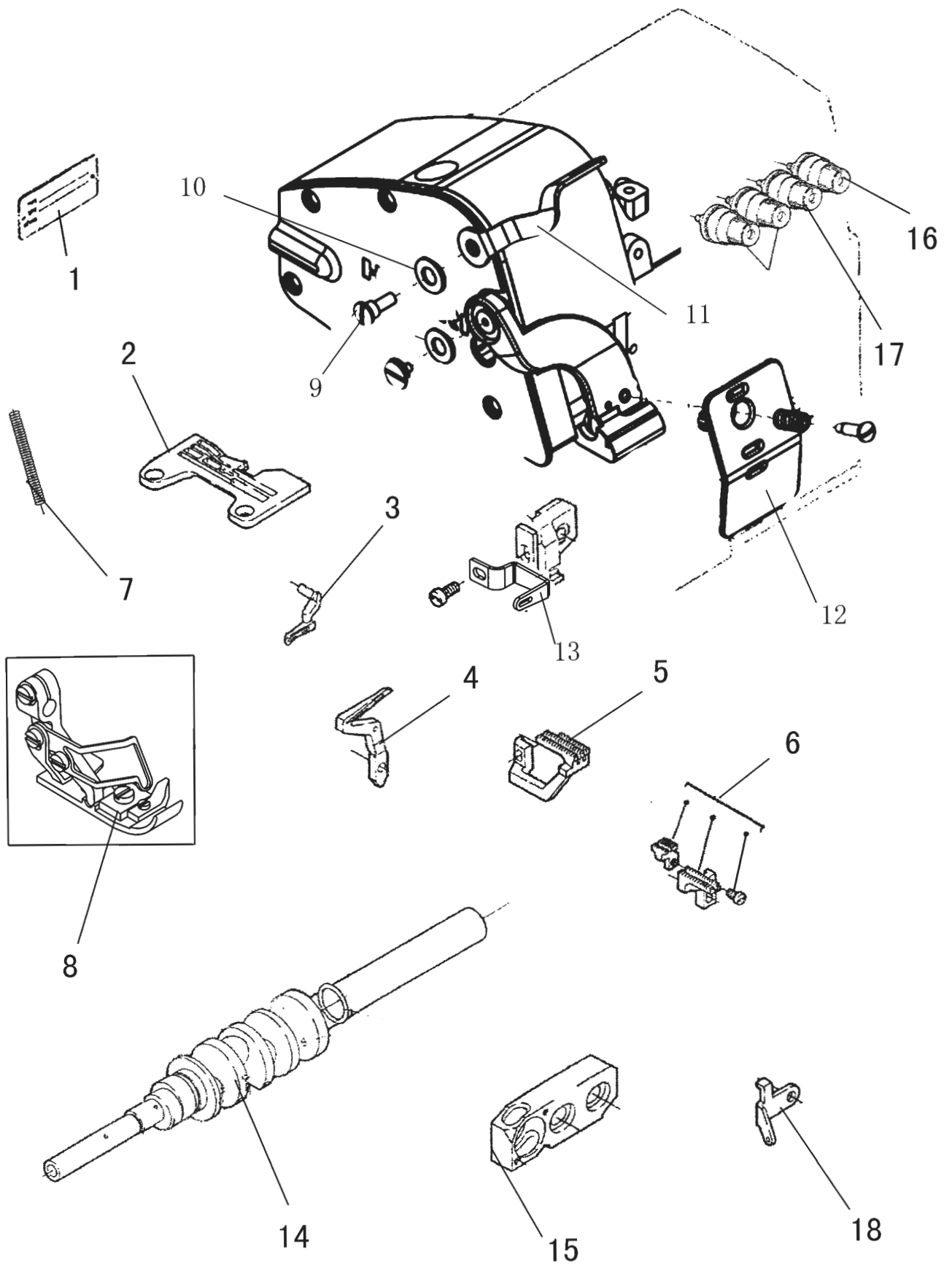
注: HX6804(T)-82在HX6804(T)-02三线基础上、HX6814(T)-83在HX6814(T)-03四线基础上. 四线A为双排牙, 四线B为三排牙



25. HX6804(T)-32R2三线手帕缝专用件

| 序号 | 图号 | 名称 | | 件数 | 备注 |
|----|-----------|--------|---------------------------|----|----|
| | | 中文 | 英文 | | |
| 1 | H0-004 | 综合型号牌 | Comprehensive Model Plate | 1 | |
| 2 | 241.06-17 | 针板 | Needle Plate | 1 | |
| 3 | 241.10-30 | 差动牙 | Ratio dog | 1 | |
| 4 | 241.10-36 | 主送布牙组件 | Main Feed Dog Components | 1 | |
| 5 | 241.21-01 | 压脚组件 | Presser Foot Components | 1 | |
| | | | | | |
| | | | | | |

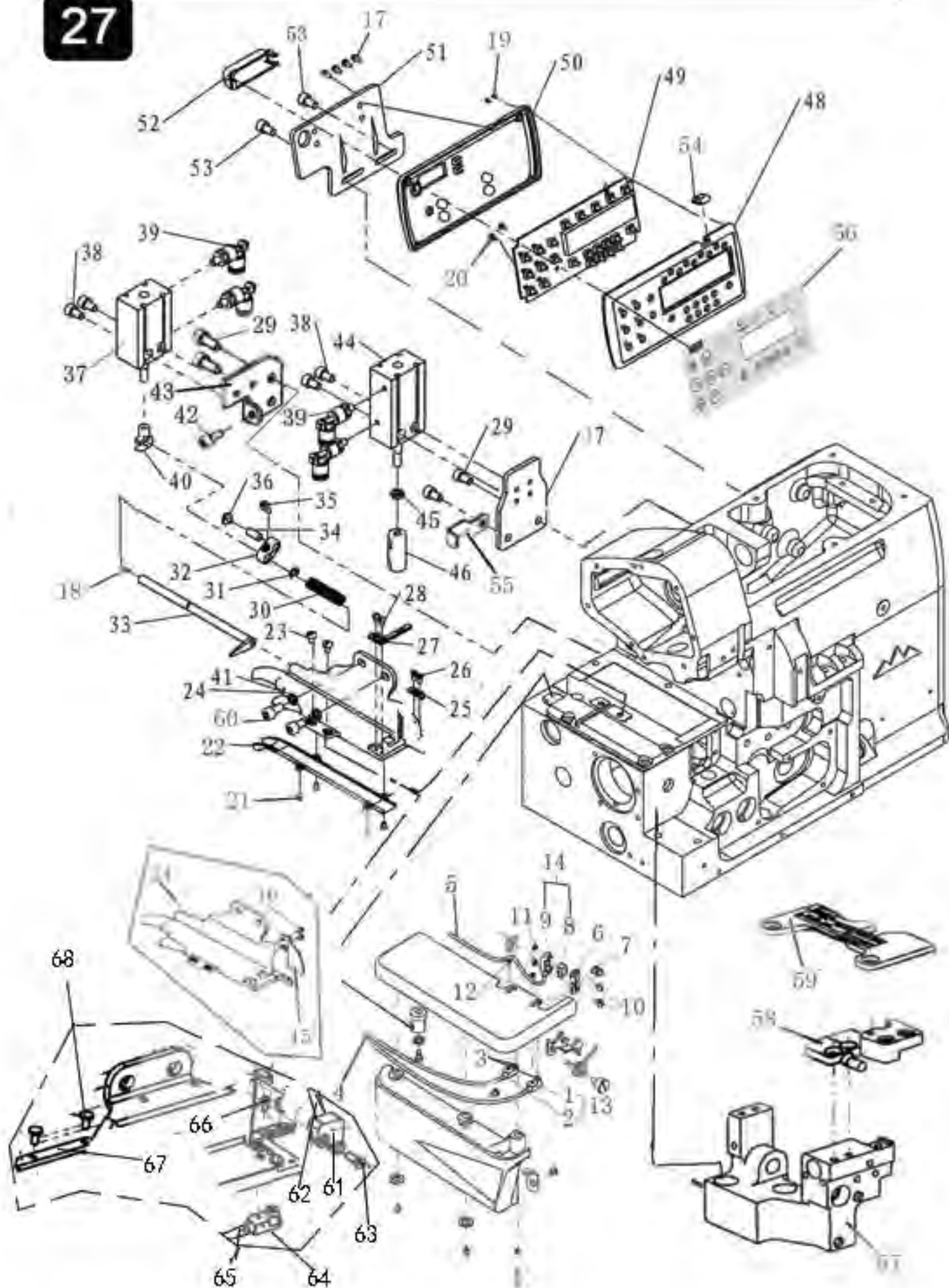
注:HX6804(T)-32R2在HX6804(T)-02三线基础上



26. HX6814(T)-53肩带缝及HX6814(T)-54厚料肩带缝专用件

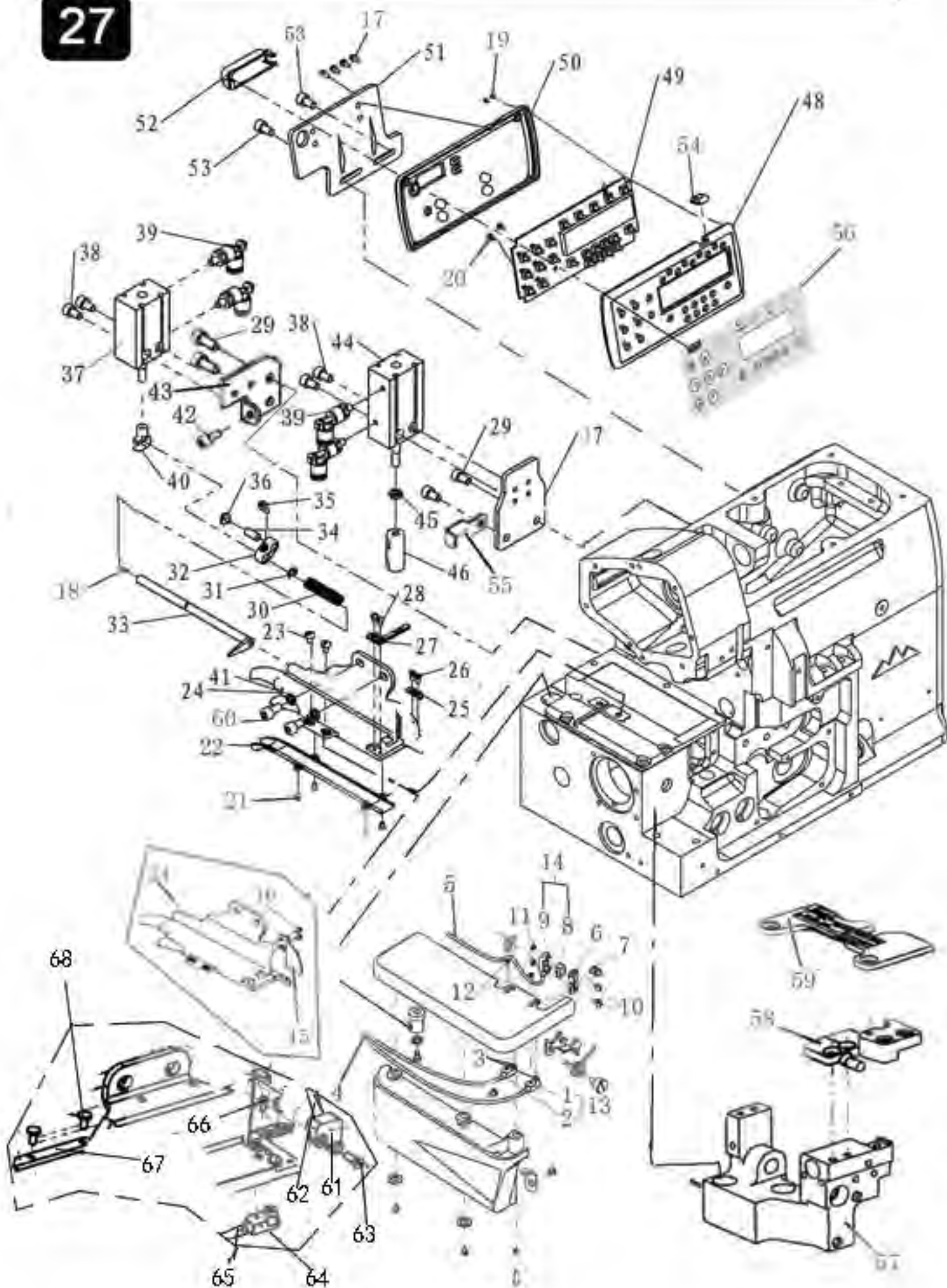
| 序号 | 图号 | 名称 | | 普通 | 厚料 | 备注 |
|----|--------------|-----------|----------------------------------|----|----|----|
| | | 中文 | 英文 | | | |
| 1 | H0-004 | 综合型号牌 | Comprehensive Model Plate | 1 | 1 | |
| 2 | 243.06-17 | 针板 | Needle Plate | | 1 | |
| 3 | 243.07-26 | 上弯针 | Upper Looper | | 1 | |
| 4 | 243.08-10 | 下弯针 | Lower Looper | | 1 | |
| 5 | 243.10-30 | 差动牙 | Ratio dog | | 1 | |
| 6 | 243.10-36 | 主送布牙组件 | Main Feed Dog Components | | 1 | |
| 7 | 260.13-29 | 弹簧 | Spring | 1 | 1 | |
| 8 | 242.21-01 | 压脚组件 | Presser Foot Components | 1 | | |
| | 243.21-01 | 压脚组件 | Presser Foot Components | | 1 | |
| 9 | 291.29-47 | 过线板螺钉 | Screw | 1 | 1 | |
| 10 | 08-0700311-1 | 波形弹性垫圈 | Cushion | 1 | 1 | |
| 11 | 291.22-08 | 过带板A | Thread Tension Disk (A) | 1 | 1 | |
| 12 | 260.26-03A | 护目镜 | Light Goggles | 1 | 1 | |
| 13 | 242.22-10 | 过带板C | Thread Tension Disk (C) | 1 | 1 | |
| 14 | 204.04-10 | 主轴组件 | Mainshaft Components | | 1 | |
| 15 | 204.07-31 | 摇杆座 | Upper Looper Guide Support | | 1 | |
| 16 | 204.16-02 C | 夹线器组件C | Thread Tension Components C | | 1 | |
| 17 | 204.16-02 D | 夹线器组件D | Thread Tension Components D | | 1 | |
| 18 | 204.18-04 | 上弯针过线板(A) | Upper Looper Thread Guide Disk A | | 2 | |

注:HX6814(T)-53及HX6814(T)-54在HX6814(T)-03四线基础上



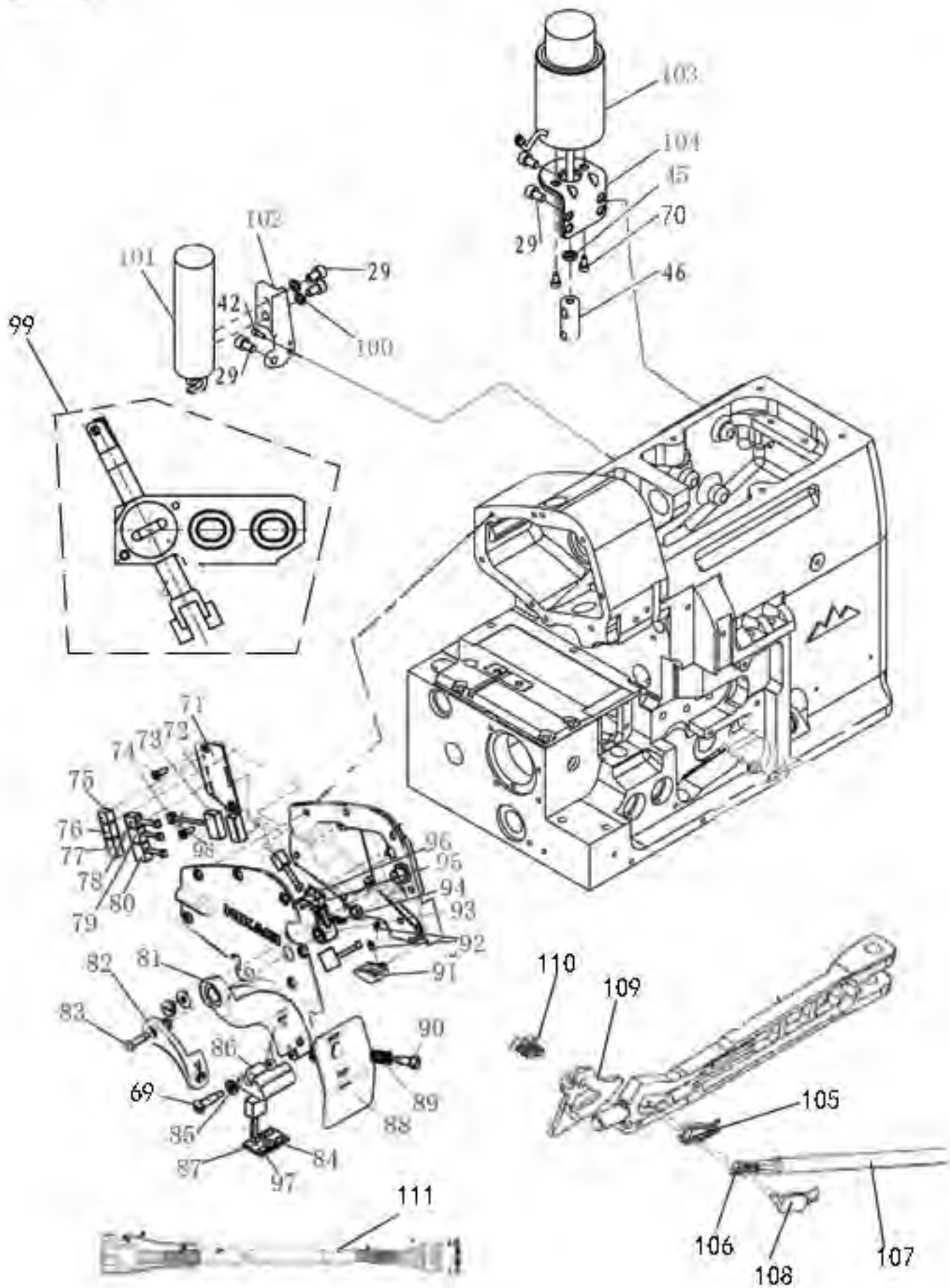
27. 自动感应器部分(一)

| 序号 | 图号 | 名称 | | 3 线 | 4 线 | 5 线 | 5 宽 | 5 厚 | 6 线 | 备注 |
|----|-----------------|--------------|---------------------------------------|--------|--------|--------|--------|--------|--------|----|
| | | 中文 | 英文 | | | | | | | |
| 1 | 246.27-10A | 前感应器外壳 | Before the sensor housing | 1 | 1 | 1 | 1 | 1 | 1 | |
| 2 | 246.27-42A | 中感应器外壳 | Middle the sensor housing | 1 | 2 | 2 | 2 | 2 | 2 | |
| 3 | | 接收管 | Receiver tube | 2 | 2 | 2 | 2 | 2 | 2 | |
| 4 | X-05-29A | 载波电眼信号(接收)连接 | Carrier signal connecting line | 1 | 1 | 1 | 1 | 1 | 1 | |
| 5 | X-05-26A | 缝台安全开关连接线AK3 | Sewing bed seitch connecting line | 1 | 1 | 1 | 1 | 1 | 1 | |
| 6 | 246.27-43 | 安全开关支架 | Safety Switch Base | 1 | 1 | 1 | 1 | 1 | 1 | |
| 7 | 01-40400823-1 | 螺钉 | Screw | 1 | 2 | 2 | 2 | 2 | 2 | |
| 8 | 210.27-28 | 微动开关(弹片式) | Safety Switch | 1 | 1 | 1 | 1 | 1 | 1 | |
| 9 | 210.27-07 | 安全开关外罩 | Safety Switch Housing | 1 | 1 | 1 | 1 | 1 | 1 | |
| 10 | 01-403001022-3 | 螺钉 | Screw | 2 | 1 | 1 | 1 | 1 | 1 | |
| 11 | 03-603000240-3 | 六角螺母 | Nut | 2 | 1 | 1 | 1 | 1 | 1 | |
| 12 | 01-1030006232-3 | 螺钉 | Screw | 2 | 1 | 1 | 1 | 1 | 1 | |
| 13 | | 接收感应器组件 | Incept Sensor ASM | 1 | 1 | 1 | 1 | 1 | 1 | |
| 14 | | 安全开关组件 | Safety Switch ASM | 1 | 1 | 1 | 1 | 1 | 1 | |
| 15 | 260.27-23A | 吸风挡布板 | Suction guide plate cutting line | 1 | 1 | 1 | 1 | 1 | 1 | |
| 16 | 01-603000421-1 | 一字薄帽螺钉 | Screw | 2 | 2 | 2 | 2 | 2 | 2 | |
| 17 | 18-404001223-3 | 三组合十字盘头螺钉 | Screw | 4 | 4 | 4 | 4 | 4 | 4 | |
| 18 | 01-804000414-1 | 无帽内六角螺钉 | Screw | 1 | 1 | 1 | 1 | 1 | 1 | |
| 19 | 20-4291032-3 | 十字槽盘头自攻螺钉 | Screw | 2 | 2 | 2 | 2 | 2 | 2 | |
| 20 | 20-4290932-3 | 十字槽盘头自攻螺钉 | Screw | 2 | 2 | 2 | 2 | 2 | 2 | |
| 21 | 01-103000421-1 | 一字槽沉头螺钉 | Screw | 4 | 4 | 4 | 4 | 4 | 4 | |
| 22 | 246.27-09 | 吸风管盖 | Suction Tube Cover | 1 | 1 | 1 | 1 | 1 | 1 | |
| 23 | 01-604000821-1 | 开槽圆柱头螺钉 | Screw | 2 | 2 | 2 | 2 | 2 | 2 | |
| 24 | 248.27-08 | 剪线吸风导向板 | Suction Guide Plate Cutting Line | 1 | 1 | 1 | 1 | | 1 | |
| | 293.27-08 | 剪线吸风导向板 | Suction Guide Plate Cutting Line | | | | | 1 | | |
| 25 | 246.27-22 | 定刀调整块 | Adjust The Fixed Knife Block | 1 | 1 | 1 | 1 | 1 | 1 | |
| 26 | 01-303000623-3 | 螺钉 | Screw | 2 | 2 | 2 | 2 | 2 | 2 | |
| 27 | 246.27-11 | 定刀 | Fixed Knife | 1 | 1 | 1 | 1 | 1 | 1 | |
| 28 | 01-603000421-1 | 开槽圆柱头螺钉 | Screw | 2 | 2 | 2 | 2 | 2 | 2 | |
| 29 | 01-506001224-1 | 内六角圆柱头螺钉 | Screw (M6×12) | 4 | 4 | 4 | 4 | 4 | 4 | |
| 30 | 246.27-13 | 切刀压簧 | Cutter Pressure Spring | 1 | 1 | 1 | 1 | 1 | 1 | |
| 31 | 06-0500610-1 | 动刀弹簧挡圈 | Mobile Knife Spring Ring | 1 | 1 | 1 | 1 | 1 | 1 | |
| 32 | 246.27-17 | 切刀连杆 | Cutter Link | 1 | 1 | 1 | 1 | 1 | 1 | |
| 33 | 246.27-12 | 动刀 | Mobile Knife | 1 | 1 | 1 | 1 | 1 | 1 | |
| 34 | 210.27-16 | 切刀连杆销 | Cutter Link Pin | 1 | 1 | 1 | 1 | 1 | 1 | |
| 35 | 01-504000824-1 | 内六角圆柱头螺钉 | Screw | 1 | 1 | 1 | 1 | 1 | 1 | |
| 36 | 210.27-18 | 切刀连杆销螺钉 | Screw | 1 | 1 | 1 | 1 | 1 | 1 | |
| 37 | 210.27-30-00 | 自由安装型汽缸(剪线刀) | Free Mount Cylinder(shear line group) | 1 | 1 | 1 | 1 | 1 | 1 | |
| 38 | 01-505002524-1 | 内六角圆柱头螺钉 | Screw (M5×15) | 4 | 4 | 4 | 4 | 4 | 4 | |
| 39 | 210.27-29 | 调速接头 | Control Joints | 4 | 4 | 4 | 4 | 4 | 4 | |
| 40 | 210.27-15 | 滑杆 | Slider | 1 | 1 | 1 | 1 | 1 | 1 | |



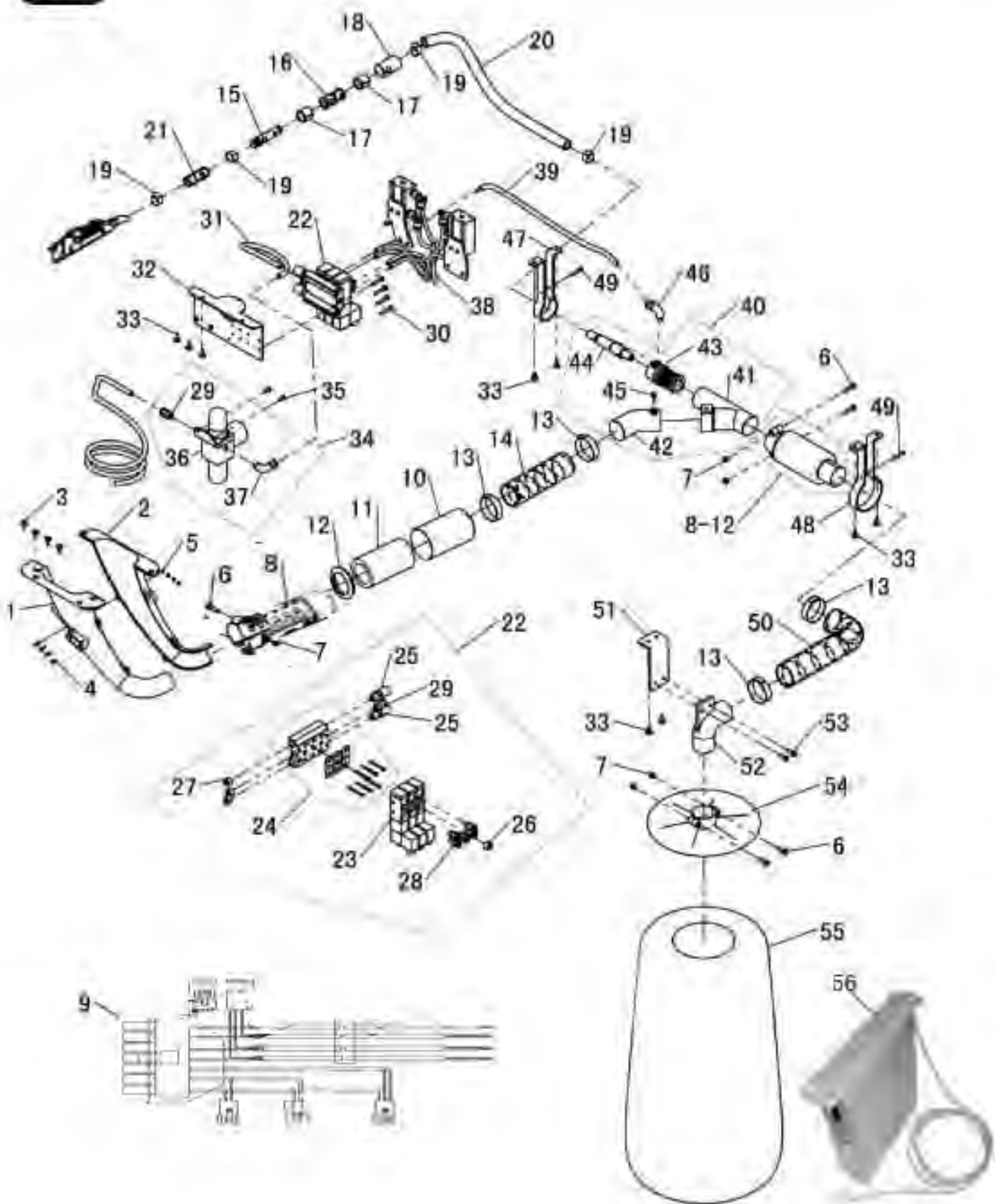
27. 自动感应器部分（二）

| 序号 | 图号 | 名称 | | 3 线 | 4 线 | 5 线 | 5 宽 | 5 厚 | 6 线 | 备注 |
|----|----------------|-------------|------------------------------------|--------|--------|--------|--------|--------|--------|----|
| | | 中文 | 英文 | | | | | | | |
| 41 | 07-0631616-1 | 弹簧垫片 | Spring Washer | 2 | 2 | 2 | 2 | 2 | 2 | |
| 42 | 01-505001224-1 | 内六角圆柱头螺钉 | Screw | 1 | 1 | 1 | 1 | 1 | 1 | |
| 43 | 260. 29-28 | 剪线汽缸支撑板 | Shear Line Cylinder Support Board | 1 | 1 | 1 | 1 | 1 | 1 | |
| 44 | 210. 27-31 | 自由安装型汽缸（抬压 | Free Mount Cylinder(lift pressure) | 1 | 1 | 1 | 1 | 1 | 1 | |
| 45 | 03-606000350-4 | 调节螺母 | Nut | 1 | 1 | 1 | 1 | 1 | 1 | |
| 46 | 210. 27-20 | 压脚汽缸压头 | Pressure Cylinder Head | 1 | 1 | 1 | 1 | 1 | 1 | |
| 47 | 210. 27-19 | 压脚汽缸支撑座 | Pressure Cylinder Support Block | 1 | 1 | 1 | 1 | 1 | 1 | |
| 48 | CP01-02-A00A | 操作面板前盖 | Operation Panel Front Cover | 1 | 1 | 1 | 1 | 1 | 1 | |
| 49 | CP05-08-0A0A | PCB板 | PCB Board | 1 | 1 | 1 | 1 | 1 | 1 | |
| 50 | CP01-03-A00 | 操作面板后盖 | Operation Panel Back Cover | 1 | 1 | 1 | 1 | 1 | 1 | |
| 51 | CP05-01-A00A | 操作面板安装板 | Operation Panel Installation Plate | 1 | 1 | 1 | 1 | 1 | 1 | |
| 52 | CP01-04-A00 | 操作面板引出线盖 | Operation Panel Pinout Cover | 1 | 1 | 1 | 1 | 1 | 1 | |
| 53 | 18-405001223-3 | 三组合十字一字盘头螺钉 | Screw | 2 | 2 | 2 | 2 | 2 | 2 | |
| 54 | CP01-05-A00 | 指示灯盖 | Light Cover | 1 | 1 | 1 | 1 | 1 | 1 | |
| 55 | 260. 27-50 | 压线板 | Thread Presser Disk | 1 | 1 | 1 | 1 | 1 | 1 | |
| 56 | CP05-08-A00A | 操作面板PVC贴膜 | Operation Panel PVC Stickers | 1 | 1 | 1 | 1 | 1 | 1 | |
| 57 | 246. 01-10 | 针板支座 | Needle Board Supporting | 1 | 1 | 1 | 1 | 1 | 1 | |
| 58 | 246. 06-12 | 针板座 | Needle Plate Base | 1 | 1 | 1 | 1 | 1 | 1 | |
| 59 | 246. 06-17 | 针板 | Needle Plate | 1 | | | | | | |
| | 247. 06-17 | 针板 | Needle Plate | | 1 | | | | | |
| | 248. 06-17 | 针板 | Needle Plate | | | 1 | | | | |
| | 250. 06-17 | 针板 | Needle Plate | | | | 1 | | | |
| | 249. 06-17 | 针板 | Needle Plate | | | | | 1 | | |
| | 256. 06-17 | 针板 | Needle Plate | | | | | | 1 | |
| 60 | 01-506001224-1 | 内六角圆柱头螺钉 | Screw (M6×12) | 2 | 2 | 2 | 2 | 2 | 2 | |
| 61 | 260. 30-19 | 后感应器外壳 | After the sensor housing | 1 | 1 | 1 | 1 | 1 | 1 | |
| 62 | 01-503000821-1 | 螺钉 | Screw | 1 | 1 | 1 | 1 | 1 | 1 | |
| 63 | X-05-36 | 连接线 | Connecting line | 1 | 1 | 1 | 1 | 1 | 1 | |
| 64 | 260. 30-20 | 后感应器外壳 | After the sensor housing | 1 | 1 | 1 | 1 | 1 | 1 | |
| 65 | X-05-35 | 连接线 | Connecting line | 1 | 1 | 1 | 1 | 1 | 1 | |
| 66 | 01-102000622-3 | 螺钉 | Screw | 1 | 1 | 1 | 1 | 1 | 1 | |
| 67 | 260. 30-21 | 压线板 | Thread Presser Disk | 1 | 1 | 1 | 1 | 1 | 1 | |
| 68 | 01-603000621-1 | 螺钉 | Screw | 1 | 1 | 1 | 1 | 1 | 1 | |



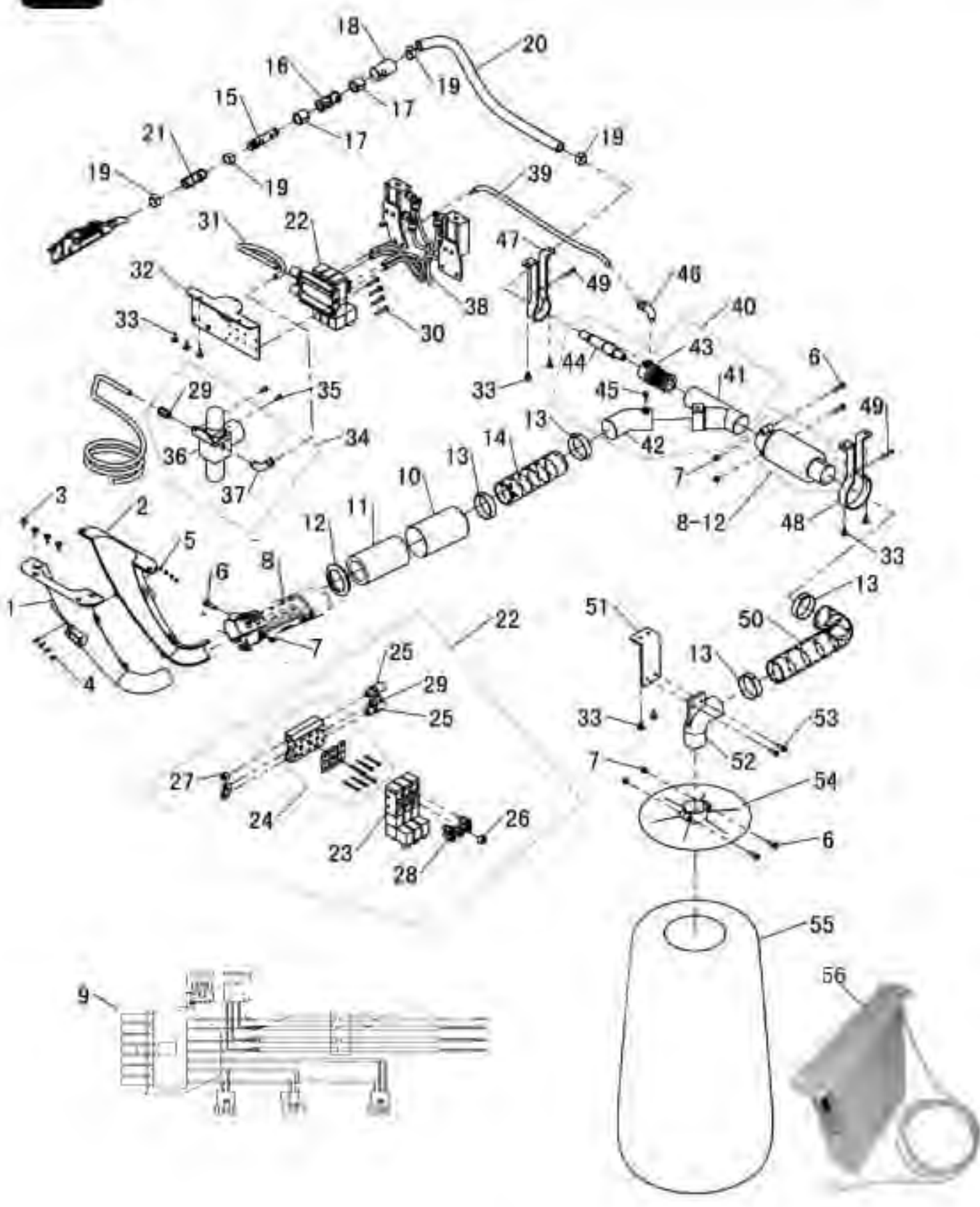
27. 自动感应器部分（三）

| 序号 | 图号 | 名称 | | 3线 | 4线 | 5线 | 5宽 | 5厚 | 6线 | 备注 |
|-----|-----------------|--------------|--------------------------------|----|----|----|----|----|----|----|
| | | 中文 | 英文 | | | | | | | |
| 69 | 260.29-61 | 螺钉 | Screw | 1 | 1 | 1 | 1 | 1 | 1 | |
| 70 | 01-505001424-1 | 内六角螺钉 | Screw | 2 | 2 | 2 | 2 | 2 | 2 | |
| 71 | P-056-h16V05 | 发射感应PCB板 | Sensor PCB Panel | 1 | 1 | 1 | 1 | 1 | 1 | |
| 72 | J-D-HX25003-6WA | 连接器针座 | connecting line | 1 | 1 | 1 | 1 | 1 | 1 | |
| 73 | X-05-25A | 电眼信号发射连接线AK3 | Eye signal connecting line | 1 | 1 | 1 | 1 | 1 | 1 | |
| 74 | 18-403000823-3 | 十字一字槽盘头三件套组 | Screw | 2 | 2 | 2 | 2 | 2 | 2 | |
| 75 | J-D-HX25003-2WA | 连接器针座 | connecting line | 1 | 1 | 1 | 1 | 1 | 1 | |
| 76 | J-D-HX25003-3WA | 连接器针座 | connecting line | 1 | 1 | 1 | 1 | 1 | 1 | |
| 77 | J-D-HX25003-4WA | 连接器针座 | connecting line | 1 | 1 | 1 | 1 | 1 | 1 | |
| 78 | DL06-12-A00A | 剪刀连线 | Scissor switch positioning pin | 1 | 1 | 1 | 1 | 1 | 1 | |
| 79 | X-05-32A | 照明灯连接线 | Light connecting line | 1 | 1 | 1 | 1 | 1 | 1 | |
| 80 | X-05-31G | 发射感应连接线 | Sensor connecting line | 1 | 1 | 1 | 1 | 1 | 1 | |
| 81 | 260.26-01D | 照明灯外罩上 | led-light base(above) | 1 | 1 | | | | | |
| | 260.26-01E | 照明灯外罩上 | led-light base(above) | | | 1 | 1 | 1 | 1 | |
| 82 | 260.27-02C | 剪刀按钮上 | Scissors button | 1 | 1 | 1 | 1 | 1 | 1 | |
| 83 | 260.29-35 | 一字槽圆帽螺钉 | Screw | 2 | 2 | 2 | 2 | 2 | 2 | |
| 84 | DL12-05-00A-03 | 贴片电阻 | chip resister | 2 | 2 | 2 | 2 | 2 | 2 | |
| 85 | 08-0430308-1 | 波形垫圈 | Elastic cushion | 1 | 1 | 1 | 1 | 1 | 1 | |
| 86 | 260.26-01-01 | 照明灯外罩下 | Led-light base(under) | 1 | 1 | 1 | 1 | 1 | 1 | |
| 87 | P-055-H16V04 | 照明灯板PCB | Senor PCB panel | 1 | 1 | 1 | 1 | 1 | 1 | |
| 88 | 260.26-03A | 护目镜 | Lighting goggles | 1 | 1 | 1 | 1 | 1 | 1 | |
| 89 | 246.27-41 | 护目镜弹簧 | Lighting goggles spring | 1 | 1 | 1 | 1 | 1 | 1 | |
| 90 | 260.26-03-01 | 台阶螺钉 | Screw | 1 | 1 | 1 | 1 | 1 | 1 | |
| 91 | 260.27-03 | 发射感应器外盖 | Senor cover | 1 | 1 | 1 | 1 | 1 | 1 | |
| 92 | | 发射管 | Launch tube | 2 | 2 | 2 | 2 | 2 | 2 | |
| 93 | 260.29-29C | 按钮下 | Button (lower) | 1 | 1 | 1 | 1 | 1 | 1 | |
| 94 | 246.27-21 | 剪线按钮压簧 | Scissors button spring | 1 | 1 | 1 | 1 | 1 | 1 | |
| 95 | 210.27-28 | 微动开关(弹片式) | Micro switch | 1 | 1 | 1 | 1 | 1 | 1 | |
| 96 | 260.29-49 | 剪线开关定位销 | Scissor switch positioning pin | 2 | 2 | 2 | 2 | 2 | 2 | |
| 97 | DL06-07-00A-08 | 白色发光二极管 | white LED | 6 | 6 | 6 | 6 | 6 | 6 | |
| 98 | DL01-15-A00 | 【尼龙扎带】3×80mm | Nylon strip | 1 | 1 | 1 | 1 | 1 | 1 | |
| 99 | 201.07-32G-00 | 摇杆组件 | Upper Looper Holder ASM | 1 | 1 | 1 | 1 | | 1 | 电动 |
| | 201.07-32A-00 | 摇杆组件 | Upper Looper Holder ASM | 1 | 1 | 1 | 1 | | 1 | 气动 |
| | 204.07-32G-00 | 摇杆组件 | Upper Looper Holder ASM | | | | | 1 | | 电动 |
| | 204.07-32A-00 | 摇杆组件 | Upper Looper Holder ASM | | | | | 1 | | 气动 |
| 100 | 07-0631616-1 | 弹簧垫片 | Spring Washer | 2 | 2 | 2 | 2 | 2 | 2 | |
| 101 | 251.29-03 | 剪线电磁铁 | Thread Trimmer Solenoid | 1 | 1 | 1 | 1 | 1 | 1 | |
| 102 | 251.29-04 | 剪线电磁铁支架 | Thread Trimmer Solenoid Base | 1 | 1 | 1 | 1 | 1 | 1 | |
| 103 | 251.29-01 | 抬压脚电磁铁 | Presser Foot Solenoid | 1 | 1 | 1 | 1 | 1 | 1 | |
| 104 | 251.29-02 | 压脚电磁铁支架 | Presser Foot Solenoid Base | 1 | 1 | 1 | 1 | 1 | 1 | |
| 105 | 260.29-01-01A | 安全开关外壳下 | Safety switch shell | 1 | 1 | 1 | 1 | 1 | 1 | |
| 106 | D-133 | 霍尔 | Holzer | 1 | 2 | 2 | 2 | 2 | 2 | |
| 107 | X-05-27A | 压脚安全开关连接线 | Presser seitch Connecting line | 1 | 1 | 1 | 1 | 1 | 1 | |
| 108 | 260.29-01-02A | 安全开关外壳上 | Safety switch shell | 1 | 1 | 1 | 1 | 1 | 1 | |
| 109 | 260.27-04D | 护片 | Conservation Piece | 1 | 1 | 1 | 1 | | 1 | |
| | 249.27-04 | 护片 | Conservation Piece | | | | | 1 | | |
| 110 | 01-503000621-1 | 螺钉 | Screw | 2 | 2 | 2 | 2 | 2 | 2 | |
| 111 | CP01-09-0A0 | 操作面板输出连接线 | Control Panel Out line | 1 | 1 | 1 | 1 | 1 | 1 | |



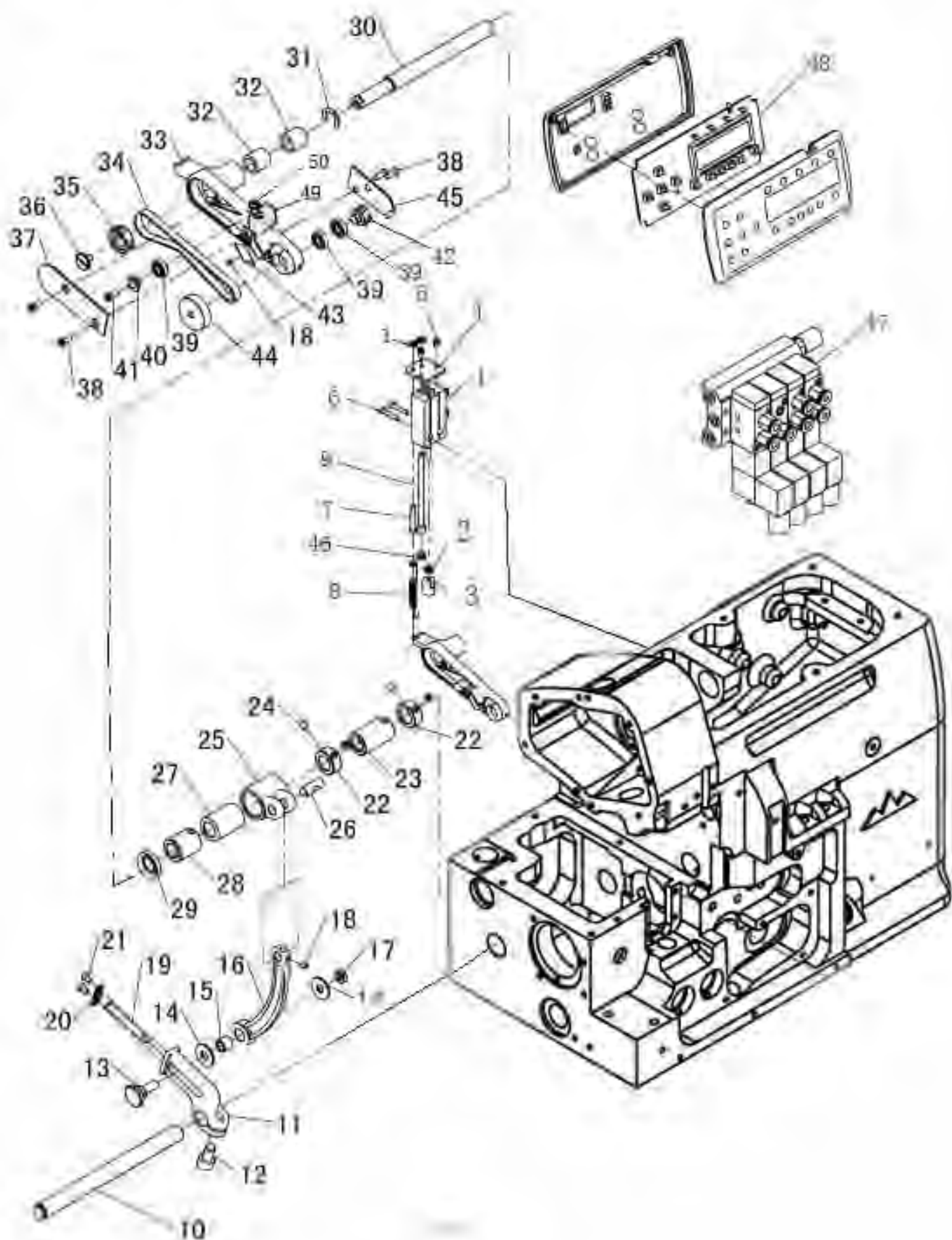
28. 漏斗部分 (一)

| 序号 | 图号 | 名称 | | 3 线 | 4 线 | 5 线 | 5 宽 | 5 厚 | 6 线 | 备注 |
|----|----------------|--------------|------------------------------|--------|--------|--------|--------|--------|--------|----|
| | | 中文 | 英文 | | | | | | | |
| 1 | 210.28-03-01 | 吸风口L | Suction air L | 1 | 1 | 1 | 1 | 1 | 1 | |
| 2 | 210.28-03-02 | 吸风口R | Suction air R | 1 | 1 | 1 | 1 | 1 | 1 | |
| 3 | 21-2350162-4 | 十字槽木螺钉 | Screw | 4 | 4 | 4 | 4 | 4 | 4 | |
| 4 | 01-403001022-3 | 十字槽盘头螺钉 | Screw | 4 | 4 | 4 | 4 | 4 | 4 | |
| 5 | 03-603000240-3 | 六角螺母 | Nut | 4 | 4 | 4 | 4 | 4 | 4 | |
| 6 | 01-405002022-3 | 十字盘头螺钉M5*20 | Screw | 6 | 6 | 6 | 6 | 6 | 6 | |
| 7 | 03-605000450-3 | 六角螺母 | Nut | 6 | 6 | 6 | 6 | 6 | 6 | |
| 8 | 210.28-05-01A | 消音管 | Silencer Tube | 2 | 2 | 2 | 2 | 2 | 2 | |
| 9 | X-05-28A | 电磁阀连接线 | Solenoid Valve Connecting l | 1 | 1 | 1 | 1 | 1 | 1 | |
| 10 | 210.28-05-03 | 消音外壳盖 | Silencer Outer Covering | 2 | 2 | 2 | 2 | 2 | 2 | |
| 11 | 210.28-05-04 | 消音管吸音绵 | Sound-absorbing Cotton | 2 | 2 | 2 | 2 | 2 | 2 | |
| 12 | 210.28-05-05 | 消音外壳 | Silencer Outer Covering | 2 | 2 | 2 | 2 | 2 | 2 | |
| 13 | 210.28-22 | 喉咕 | Throat Cushions | 4 | 4 | 4 | 4 | 4 | 4 | |
| 14 | 210.28-24-01 | 螺旋软管38*150mm | Spiral Hose | 1 | 1 | 1 | 1 | 1 | 1 | |
| 15 | 210.28-02-01 | 剪线消音气管 | Shear Line Silencer Tracheal | 1 | 1 | 1 | 1 | 1 | 1 | |
| 16 | 210.28-02-02 | 剪线消音气管调节套 | Conditioning Units | 1 | 1 | 1 | 1 | 1 | 1 | |
| 17 | 210.28-02-03 | 剪线消音气管消音绵 | Silencers Cotton | 2 | 2 | 2 | 2 | 2 | 2 | |
| 18 | 210.28-02-04 | 剪线消音气管外套 | Bushing | 1 | 1 | 1 | 1 | 1 | 1 | |
| 19 | 210.28-23 | 喉咕 | Throat Cushions | 4 | 4 | 4 | 4 | 4 | 4 | |
| 20 | 210.28-41-01 | 螺旋软管(小) | Spiral Hose | 1 | 1 | 1 | 1 | 1 | 1 | |
| 21 | 210.28-41-02 | 螺旋软管(小) | Spiral Hose | 1 | 1 | 1 | 1 | 1 | 1 | |
| 22 | 210.28-20-00 | 电磁阀组件 | Solenoid Valve ASM | 1 | 1 | 1 | 1 | 1 | 1 | |
| 23 | 210.28-20-01 | 电磁阀 | Solenoid Valve | (3) | (3) | (3) | (3) | (3) | (3) | |
| 24 | 210.28-20-02 | 电磁阀底座 | Manifold | (1) | (1) | (1) | (1) | (1) | (1) | |
| 25 | 210.28-27 | 塑料消音器 | Plastic Silencer | (2) | (2) | (2) | (2) | (2) | (2) | |
| 26 | 210.28-28 | 堵头 | Plug | (1) | (1) | (1) | (1) | (1) | (1) | |
| 27 | 210.28-29 | 堵头 | Plug | (3) | (3) | (3) | (3) | (3) | (3) | |
| 28 | 210.28-30 | 外螺纹直通 | Screw Thread Straight Union | (6) | (6) | (6) | (6) | (6) | (6) | |
| 29 | 210.28-31 | 外螺纹直通 | Screw Thread Straight Union | (2) | (2) | (2) | (2) | (2) | (2) | |
| 30 | 18-404002823-3 | 三组合十字盘头螺钉 | Screw | 4 | 4 | 4 | 4 | 4 | 4 | |
| 31 | 210.28-33 | PU管8*5*400mm | Pu Pipe(blue)PU8*5*400mm | 1 | 1 | 1 | 1 | 1 | 1 | |
| 32 | 210.28-09G | 气控电磁阀座支撑板 | Air Valve Support Board | 1 | 1 | 1 | 1 | 1 | 1 | |
| 33 | 20-4421632-3 | 十字槽盘头自攻螺钉 | Screw | 9 | 9 | 9 | 9 | 9 | 9 | |
| 34 | 210.28-21-00A | 过滤减压组件 | Filter-Regulator | 1 | 1 | 1 | 1 | 1 | 1 | |
| 35 | 18-404000823-3 | 三组合十字一字盘头螺钉 | Screw | 2 | 2 | 2 | 2 | 2 | 2 | |
| 36 | 210.28-21 | 过滤减压阀 | Filter-Regulator | (1) | (1) | (1) | (1) | (1) | (1) | |
| 37 | 210.28-26 | L型螺纹弯通 | L Thread Bend Pass | (1) | (1) | (1) | (1) | (1) | (1) | |
| 38 | 210.28-34-01 | PU管6*4*600mm | Pu Pipe6*4*600mm | 4 | 4 | 4 | 4 | 4 | 4 | |
| 39 | 210.28-34-02 | PU管6*4*300mm | Pu Pipe6*4*300mm | 1 | 1 | 1 | 1 | 1 | 1 | |



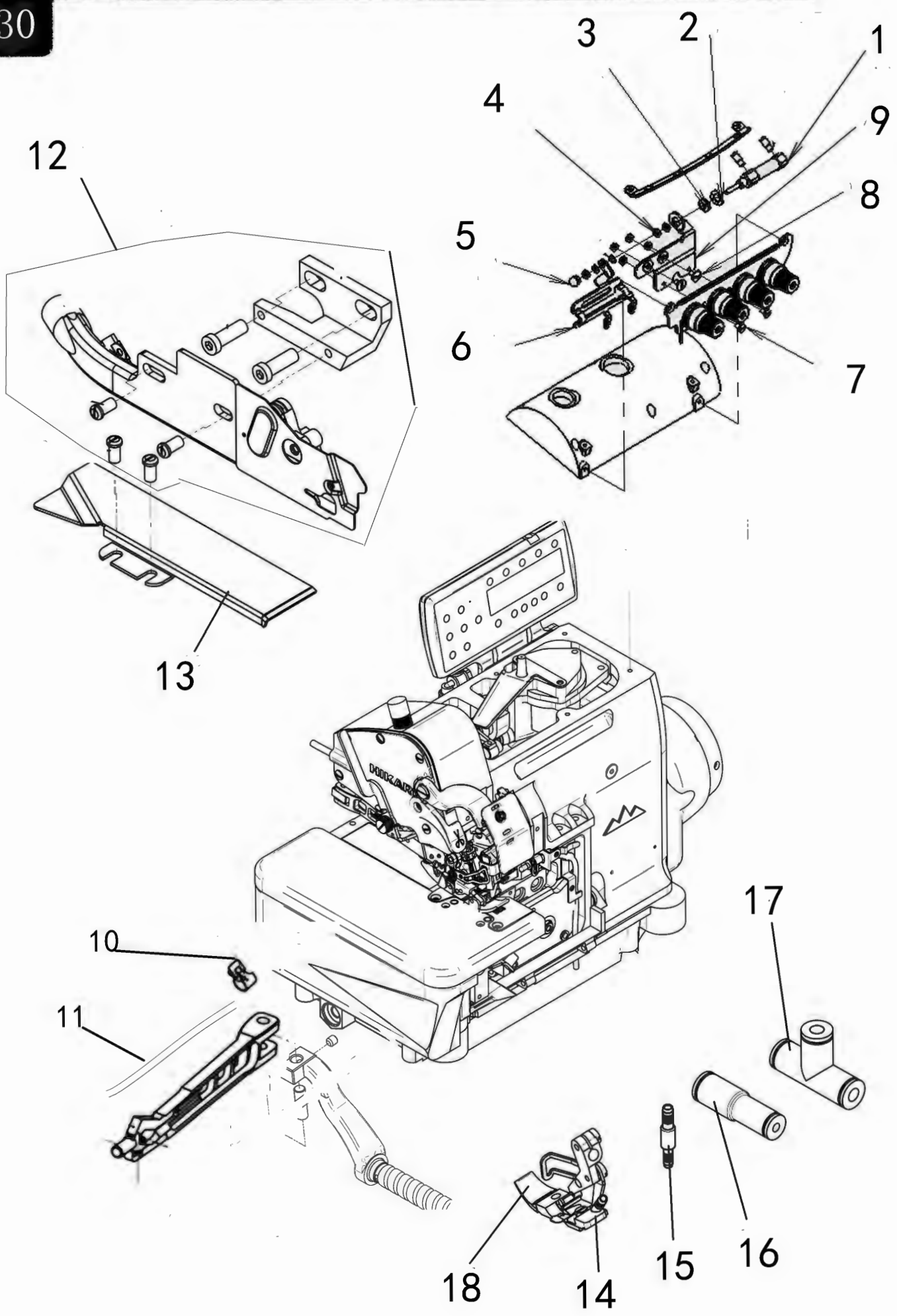
28. 漏斗部分（二）

| 序号 | 图号 | 名称 | | 3 线 | 4 线 | 5 线 | 5 宽 | 5 厚 | 6 线 | 备注 |
|----|----------------|-----------------|----------------------------------|--------|--------|--------|--------|--------|--------|----|
| | | 中文 | 英文 | | | | | | | |
| 40 | 246.28-07 | 气管连接器组件 | Tracheal Connector ASM | 1 | 1 | 1 | 1 | 1 | 2 | |
| 41 | 246.28-07-01 | 气管连接器 | Tracheal Connector | (1) | (1) | (1) | (1) | (1) | (1) | |
| 42 | 246.28-07-02 | 气管转接管 | Tracheal Connector | (1) | (1) | (1) | (1) | (1) | (1) | |
| 43 | 246.28-07-03 | 吹吸固定套 | Fixed Sets Of Blowing Smoke | (1) | (1) | (1) | (1) | (1) | (1) | |
| 44 | 246.28-07-04 | 吹吸器 | Blowing And Suction Devise | (1) | (1) | (1) | (1) | (1) | (1) | |
| 45 | 01-405000823-4 | 螺钉 | Screw | (1) | (1) | (1) | (1) | (1) | (1) | |
| 46 | 210.28-25 | L型螺纹弯通 | L Thread Bend Pass | 1 | 1 | 1 | 1 | 1 | 1 | |
| 47 | 246.28-66 | 连接器支架1 | Connector Bracket 1 | 1 | 1 | 1 | 1 | 1 | 1 | |
| 48 | 246.28-67 | 连接器支架2 | Connector Bracket 2 | 1 | 1 | 1 | 1 | 1 | 1 | |
| 49 | 01-404002523-1 | 螺钉 | Screw | 2 | 2 | 2 | 2 | 2 | 2 | |
| 50 | 210.28-24 | 螺旋软管38*320mm | Spiral Hose | 1 | 1 | 1 | 1 | 1 | 1 | |
| 51 | 246.28-06 | 气管连接器支撑板 | Tracheal Connector Support Board | 1 | 1 | 1 | 1 | 1 | 1 | |
| 52 | 246.28-65 | 吸风孔转接管 | Suction Connetor | 1 | 1 | 1 | 1 | 1 | 1 | |
| 53 | 18-405001422-3 | 三组合十字盘头螺钉 | Screw | 2 | 2 | 2 | 2 | 2 | 2 | |
| 54 | 210.28-08 | 吸尘桶上盖 | Clearing Barrels Above Cover | 1 | 1 | 1 | 1 | 1 | 1 | |
| 55 | 210.28-10G | 吸尘袋 | Vacuum Cleaner Bags | 1 | 1 | 1 | 1 | 1 | 1 | |
| 56 | | HX6800T/AKII电控箱 | Electronic Control Box | 1 | 1 | 1 | 1 | 1 | 1 | |



29. HX6800TA-UTC2/AK/PP系列专用件

| 序号 | 图号 | 名称 | | 3 线 | 4 线 | 5 线 | 5 宽 | 5 厚 | 6 线 | 备注 |
|----|-----------------|----------|-------------------------------|--------|--------|--------|--------|--------|--------|----|
| | | 中文 | 英文 | | | | | | | |
| 1 | 260.29-50 | 拉轮气缸 | Puller Cylinder | 1 | 1 | 1 | 1 | 1 | 1 | |
| 2 | 03-6040002200-3 | 六角螺母 | Nut | 3 | 3 | 3 | 3 | 3 | 3 | |
| 3 | 260.29-27 | 拉轮支架压头 | Puller Bracket Ram | 1 | 1 | 1 | 1 | 1 | 1 | |
| 4 | 260.29-38 | 微调支架板 | Support Board | 1 | 1 | 1 | 1 | 1 | 1 | |
| 5 | 01-603000621-1 | 一字薄帽螺钉 | Screw | 2 | 2 | 2 | 2 | 2 | 2 | |
| 6 | 01-503001624-1 | 内六角圆柱头螺钉 | Screw | 2 | 2 | 2 | 2 | 2 | 2 | |
| 7 | 260.29-45 | 拉簧调整杆 | Adjustment Lever | 1 | 1 | 1 | 1 | 1 | 1 | |
| 8 | 260.29-39 | 拉簧 | Spring | 1 | 1 | 1 | 1 | 1 | 1 | |
| 9 | 260.29-44 | 调整推杆 | Adjust the putter | 1 | 1 | 1 | 1 | 1 | 1 | |
| 10 | 260.29-07 | 送布轴 | Feed Rocker Shaft | 1 | 1 | 1 | 1 | 1 | 1 | |
| 11 | 260.29-08 | 送布调整曲柄 | Feed Cloth Adjusting Crank | 1 | 1 | 1 | 1 | 1 | 1 | |
| 12 | 01-506751224-1 | 圆柱头内六角螺钉 | Screw | 1 | 1 | 1 | 1 | 1 | 1 | |
| 13 | 260.29-11A | 调整螺钉 | Screw | 1 | 1 | 1 | 1 | 1 | 1 | |
| 14 | 05-051081203 | 平垫片 | Gasket | 2 | 2 | 2 | 2 | 2 | 2 | |
| 15 | 201.10-16 | 送布牙架连杆套 | Connecting Rod Bushing | 1 | 1 | 1 | 1 | 1 | 1 | |
| 16 | 260.29-12 | 拉轮连杆 | Puller link | 1 | 1 | 1 | 1 | 1 | 1 | |
| 17 | 03-605000400-1 | 六角螺母 | Nut | 1 | 1 | 1 | 1 | 1 | 1 | |
| 18 | 01-803000414-1 | 无帽内六角螺钉 | Screw | 2 | 2 | 2 | 2 | 2 | 2 | |
| 19 | 260.29-10 | 调整杆 | Adjusting rod | 1 | 1 | 1 | 1 | 1 | 1 | |
| 20 | 260.29-09 | 固定片 | Stators | 1 | 1 | 1 | 1 | 1 | 1 | |
| 21 | 01-103000621-1 | 沉头一字螺钉 | Screw | 2 | 2 | 2 | 2 | 2 | 2 | |
| 22 | 260.29-15 | 拉轮轴定位环 | Puller Shaft positioning ring | 2 | 2 | 2 | 2 | 2 | 2 | |
| 23 | 260.29-16 | 拖轮传动轴后套 | Back Transmit Shaft Bushing | 1 | 1 | 1 | 1 | 1 | 1 | |
| 24 | 01-804000414-1 | 无帽内六角螺钉 | Screw | 4 | 4 | 4 | 4 | 4 | 4 | |
| 25 | 260.29-13 | 单向轴承摇臂 | One way bearing roker | 1 | 1 | 1 | 1 | 1 | 1 | |
| 26 | 260.29-30 | 拉轮连杆销 | Puller Linker Pin | 1 | 1 | 1 | 1 | 1 | 1 | |
| 27 | 14-HFLZ061014 | 单向轴承 | Ooe way bearing | 1 | 1 | 1 | 1 | 1 | 1 | |
| 28 | 260.29-17 | 拖轮传动轴前套 | Front Transmit Shaft Bushing | 1 | 1 | 1 | 1 | 1 | 1 | |
| 29 | 13-09240170 | 骨架油封 | Oiling seal | 1 | 1 | 1 | 1 | 1 | 1 | |
| 30 | 260.29-14G | 拉轮轴 | Puller shaft | 1 | 1 | 1 | 1 | 1 | 1 | |
| 31 | 06-0700814-4 | 开口挡圈 | E-ring | 1 | 1 | 1 | 1 | 1 | 1 | |
| 32 | 14-HF0812 | 滚针轴承 | Needle Bearing | 2 | 2 | 2 | 2 | 2 | 2 | |
| 33 | 260.29-19D | 拉轮支架 | Puller Bracket | 1 | 1 | 1 | 1 | 1 | 1 | |
| 34 | 260.29-40G | 同步带 | Synchronous Belt | 1 | 1 | 1 | 1 | 1 | 1 | |
| 35 | 260.29-20G | 主同步轮 | Main Synchronous Round | 1 | 1 | 1 | 1 | 1 | 1 | |
| 36 | 260.29-34 | 一字槽圆帽螺钉 | Screw | 1 | 1 | 1 | 1 | 1 | 1 | |
| 37 | 260.29-24A | 前皮带盖 | Front Belt Cover | 1 | 1 | 1 | 1 | 1 | 1 | |
| 38 | 01-103000822-3 | 沉头十字螺钉 | Screw | 4 | 4 | 4 | 4 | 4 | 4 | |
| 39 | 14-618/5-2Z | 轴承 | Crankshaft Ball Bearing | 3 | 3 | 3 | 3 | 3 | 3 | |
| 40 | 260.29-42G | 张紧轮 | Tensile wheel | 1 | 1 | 1 | 1 | 1 | 1 | |
| 41 | 01-103000822-3 | 沉头十字螺钉 | Screw | 1 | 1 | 1 | 1 | 1 | 1 | |
| 42 | 260.29-41C | 小从动轮 | Small Driven Wheel | 1 | 1 | 1 | 1 | 1 | 1 | |
| 43 | 260.29-33G | 割线刀 | Plain Knief | 1 | 1 | 1 | 1 | 1 | 1 | |
| 44 | 260.29-36C | 拉布轮(厚料) | Puller(Heavy duty) | | | 1 | 1 | 1 | 1 | |
| | 260.29-37A | 拉布轮(薄料) | Puller(Light duty) | 1 | 1 | | | | | |
| 45 | 260.29-43G | 后齿轮盖 | Back Gear Cover | 1 | 1 | 1 | 1 | 1 | 1 | |
| 46 | 201.03-16 | 防震塞 | Rubber Cushion | 1 | 1 | 1 | 1 | 1 | 1 | |
| 47 | 260.28-20 | 电磁阀组件 | Solenoid Valve ASM | 1 | 1 | 1 | 1 | 1 | 1 | |
| 48 | CP05-08-0A0A | 面板PCB组件 | PCB Board ASM | 1 | 1 | 1 | 1 | 1 | 1 | |
| 49 | 260.29-19G-01 | 减震塞 | Shock pad | 1 | 1 | 1 | 1 | 1 | 1 | |
| 50 | 260.29-19-02 | 台阶螺钉 | Screw | 1 | 1 | 1 | 1 | 1 | 1 | |



30. HX6814TA-03KSC2/AK系列专用件

| 序号 | 图号 | 名称 | | 4 线 | 备注 |
|----|----------------|-----------|------------------------------------|--------|----|
| | | 中文 | 英文 | | |
| 1 | 260.30-07-01 | 气缸组件（松线） | Cylinder components (loosing line) | 1 | |
| 2 | 08-0840815-1 | 波形垫圈 | Elastic Cushion | 1 | |
| 3 | 03-608000300-2 | 薄帽螺母 | Thin Nut | 1 | |
| 4 | 03-604000320-1 | 螺母 | Nut | 9 | |
| 5 | 03-604000702-3 | M4球形螺帽 | Nut | 1 | |
| 6 | 260.30-07-03 | 松线板 | Loose line panel | 1 | |
| 7 | 01-104000721-1 | 螺钉 | Screw | 2 | |
| 8 | 260.30-07-04 | 台螺钉 | Screw | 2 | |
| 9 | 260.30-07-02 | 气缸支架（松线） | Cylinder bracket (loosing line) | 1 | |
| 10 | 260.30-23 | 卡簧 | Spring | 2 | |
| 11 | 103.08-36-1-4A | 油管（透明） | Pipe | 1 | |
| 12 | 260.30-01 | 侧吸刀组件 | Side suction knife components | 1 | |
| 13 | 260.30-02 | 下侧板 | Lower side panel | 1 | |
| 14 | 260.30-03 | 气管接头 | Pipe connector | 1 | |
| 15 | 226.21-01A-20 | 挡布板组件 | Buffle plate components | 1 | |
| 16 | 260.30-06 | 直通（6变4） | Straight connector(6 chang 4) | 2 | |
| 17 | 260.30-05 | 三通快插接头（6） | Tee junction knife components | 1 | |
| 18 | 226.21-01A | 压脚组件 | Presser foot components | 1 | |