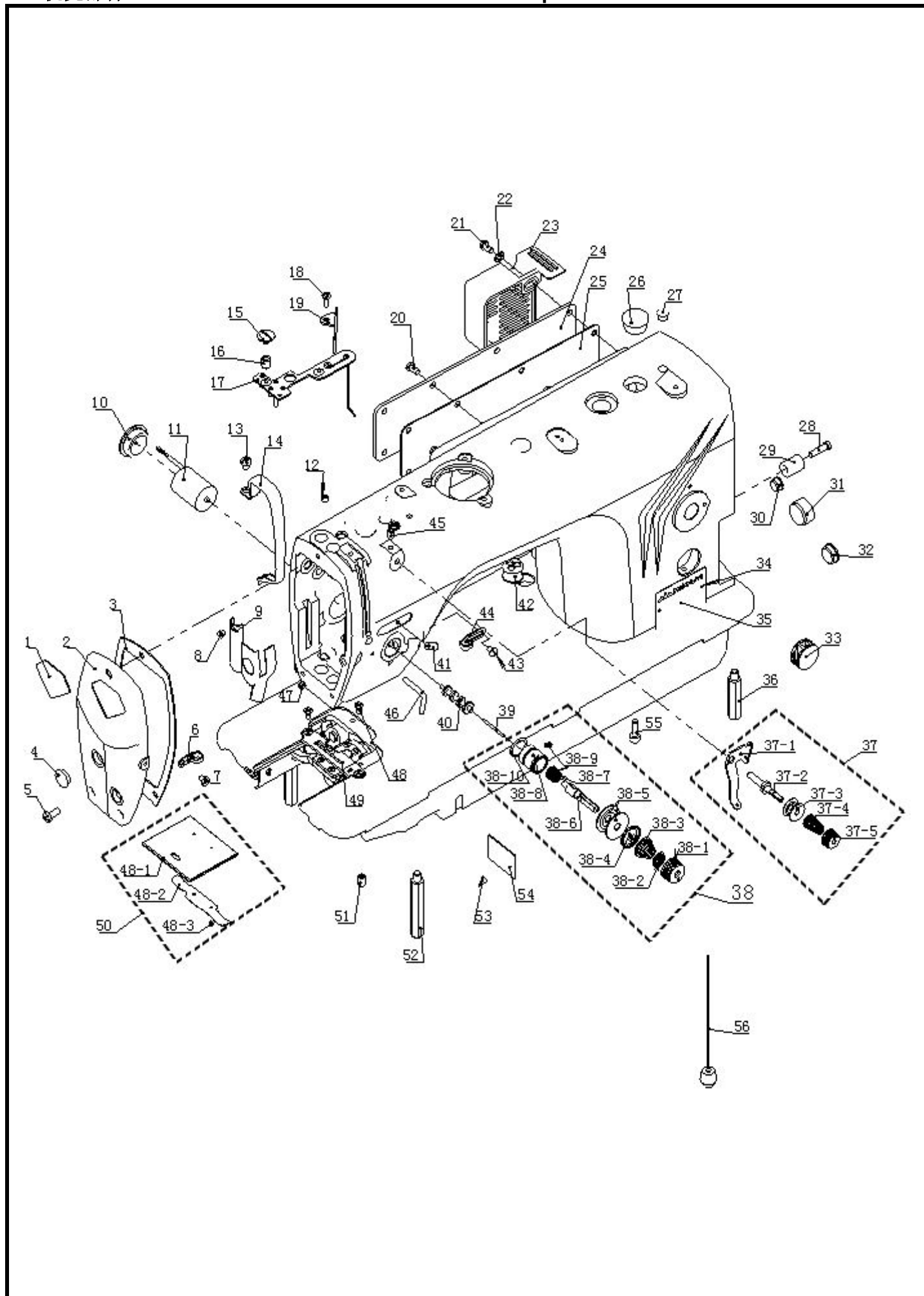


H9990
零件手册
PASTS LIST

目录/Contents

1.机壳.外装部件/Machine frame&miscellaneous cover components.....	P1
2.上轴.挑线部件/Main shaft&thread up lever components.....	P5
3.针杆.竖轴.下轴部件/Needle bar, upright shaft&hook driving shaft components.....	P9
4.压杆部件/Hand lifter components.....	P11
5.送料部件/Feed machine components.....	P13
6.自动切线部件/Thread trimmer components.....	P17
7.自动倒缝部件/Automatic reverse feed components.....	P19
8.润滑.绕线部件/Oil lubrication&belt cover components.....	P21
9.油盘部件/oil reservoir components.....	P23
10.驱动部件/Driver component.....	P25
11.电磁抬压脚装置(选购件)/ Presser foot lifting set mechanism(Option parts).....	P26
12.附件/Accessories.....	P27
13.上吸风装置(选购件)/ inhale wind set mechanism above base(Option parts).....	P29

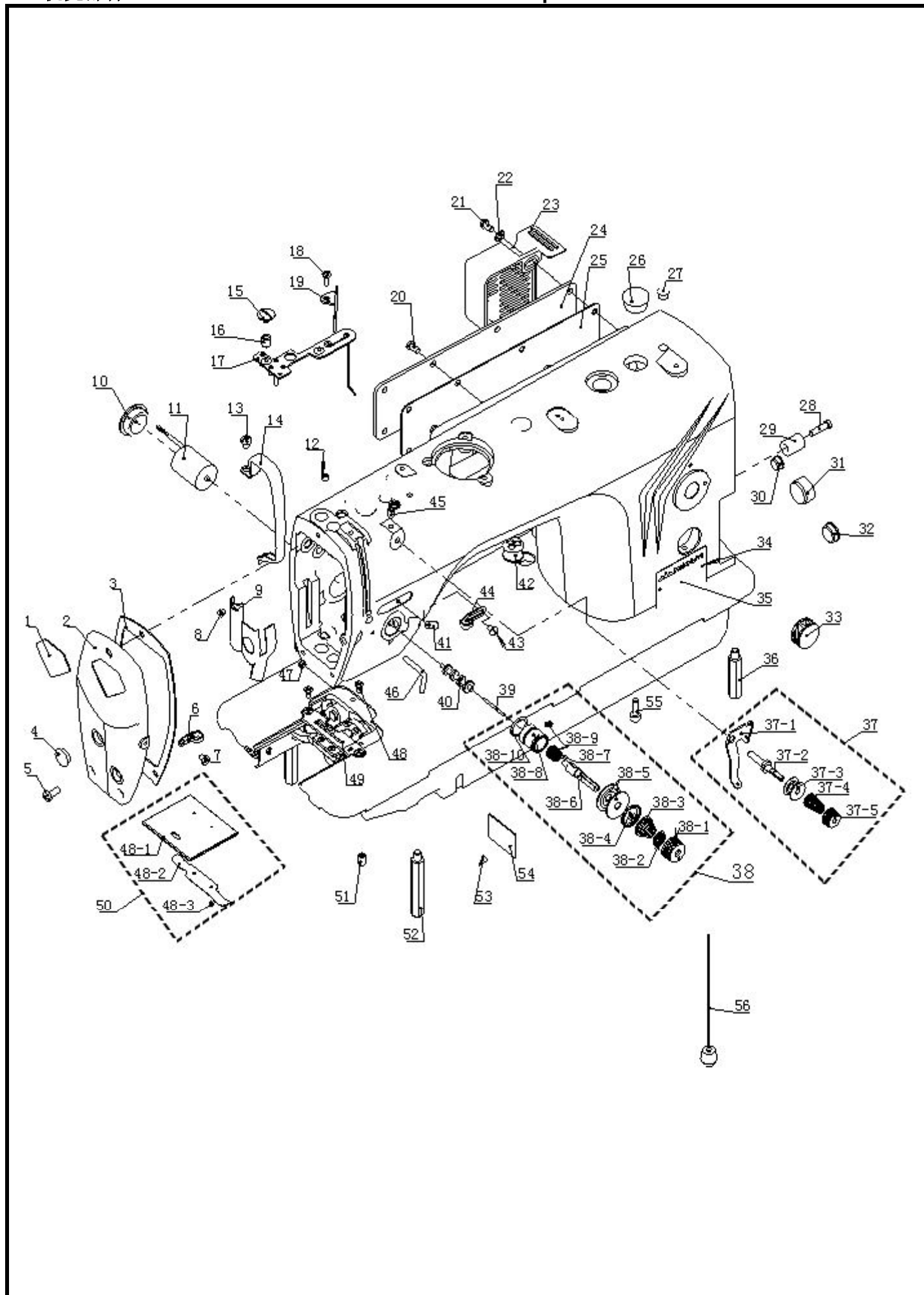
1、机壳部件/Machine frame&miscellaneous cover components



1、机壳部件/Machine frame&miscellaneous cover components

序号 Ref.No	图号 Part. No	名称/Name of parts		数量 Qty	备注 Note
		中文	English		
1	H0-001	【面板贴钻石形】紫色	Plate stick	1	
2	126.01-04	面板	Plate	1	
3	126.01-05	面板垫	Plate agsket	1	
4	22-12404016	面板孔塞 φ12.4x4xφ16	Rubber plug	2	
5	02-412281823-1	面板螺钉	Screw	3	
6	101.01-32	左线钩	Arm thread guide Left	1	
7	02-611400621-1	螺钉	Screw	1	
8	02-608440421-1	螺钉SM1/8"×44×4	Screw	1	
9	88-PZ4-1	面板防油板组件	Anti-oil plate	1	
12	01-805000614-1	螺钉 M5x6	Screw	1	
13	02-412280623-1	螺钉 SM3/16x28x9	Screw	1	
14	22-12507017	橡胶塞	Rubber plug	1	
14	101.01-23G	挑线杆防护罩	Thread take-up lever cover	1	
15	22-08506511	橡胶塞	Rubber plug	1	
16	128.02-08	安装套	Installation sleeve	2	
17	126-PZ1-9	油线支架组件	oil line support	1	
18	02-412280623-1	螺钉SM3/16"×28×6	Screw	1	
19	110.01-07	面线过线板	Spool pin	1	
20	02-412280923-1	螺钉SM3/16"×28×9	Screw	12	
21	02-611400621-1	螺钉SM11/64"×40×6	Screw	1	
23	128.08-04	电线罩	Wire cover	1	
24	126.01-02	后窗板	Side plate	1	
25	26.01-03	后窗密封垫	Gasket	1	
26	22-20809024	橡胶塞	Rubber plug	1	
27	22-08506011	橡胶塞	Rubber plug	5	
28	02-512321821-1	螺钉 SM3/16x32x18	Screw	1	
29	102.01-18	倒送料扳手定位套	Reverse feed lever stopper	1	
30	22-10705012	橡胶塞	Rubber plug	1	
31	22-20611000	橡胶塞	Rubber plug	1	
32	22-15807020	橡胶塞	Rubber plug	2	
33	103.08-59	油量视窗	Oil quantity window	1	
34	121.01-04G	型号牌铆钉	Pole	2	
35	H0-004	综合型号牌	Model plate	1	
36	131.01-08	底板支柱	Bed screw stud	2	
37	110.01-21	调线夹线器组件	Thread tension asm.	1	
37-1	110.01-23G	调线过线板	Thread tension guide	1	
37-2	110.01-21-01G	调线夹线螺钉	Thread tension post	1	
37-3	101.01-21-03	小夹线板	Thread tension disk	2	
37-4	101.01-21-04	小夹线簧	Thread tension spring	1	
37-5	101.01-21-05	小夹线螺母	Thread tension nut	1	
38	101.01-27	夹线器组件	Thread tension asm.	1	

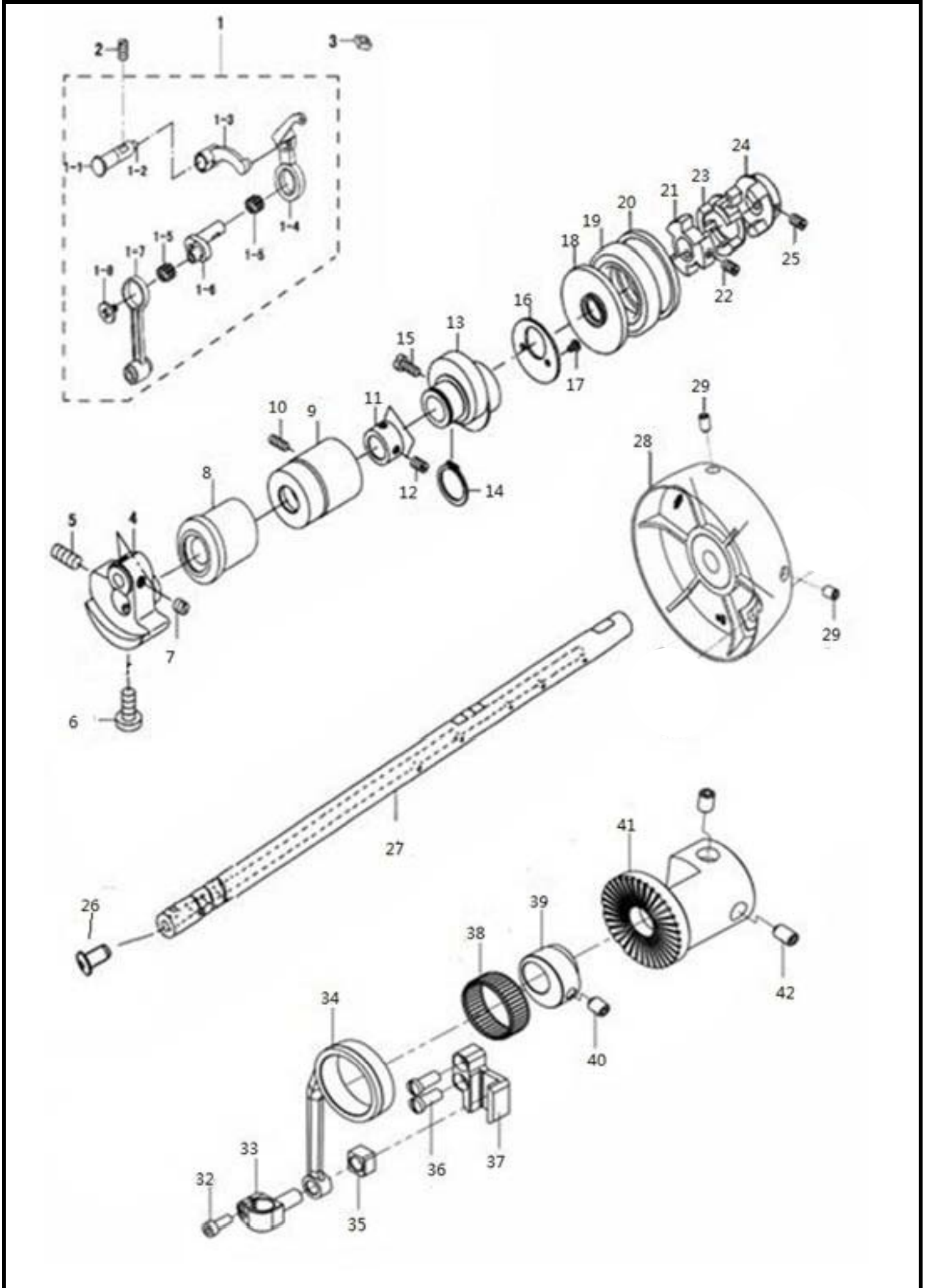
1、机壳部件/Machine frame&miscellaneous cover components



1、机壳部件/Machine frame&miscellaneous cover components

序号 Ref.No	图号 Part. No	名称/Name of parts		数量 Qty	备注 Note
		中文	English		
38-1	101.01-27-01	夹线螺母	Tension nut	1	
38-2	101.01-27-02	夹线制动板	Rotating stopper	1	
38-3	101.01-27-03	夹线簧	Tension spring	1	
38-4	101.01-27-04	松线板	Thread tension disk presser	1	
38-5	101.01-27-05	夹线板	Thread tension disk	2	
38-6	101.01-27-06	夹线螺钉	Tension post	1	
38-7	101.01-27-07	挑线簧	Take-up spring	1	
38-8	101.01-27-09	挑线簧调节座	Tension post socket	1	
38-9	02-909400421-1	螺钉 SM9/64x40x4	Screw	1	
38-10	12-137160	O型圈 $\phi 13.7 \times \phi 1.6$	Rubber ring	1	
39	101.01-27-10	松线顶	Tension release return spring	1	
40	130.04-32	松线顶销	Tension release return spring	1	
41	02-815281151-1	螺钉 SM15/64" $\times 28 \times 11$	Screw	1	
42	126.01-07	导线过线套	Rubber plug	1	
43	02-412281823-1	螺钉 SM3/16" $\times 28 \times 18$	Screw	2	
44	101.01-25	右线钩	Arm thread guide Right	1	
45	01-805000814-1	螺钉 M5 $\times 8$	Screw	1	
46	421.12-29	【缓线调节钩】HMS1310	Presser bar thread guide	1	
47	02-811400614-1	螺钉	Screw	1	
48	02-211400823-1	针板螺钉	Screw	2	
49	121.01-09A	1/8针板	Throat plate	1	
50	101.01-46	推板组件	Slide plate asm.	1	
50-1	101.01-46-01	推板	Slide plate	1	
50-2	101.01-46-02	推板簧	Bed slide spring	1	
50-3	02-606560221-3	螺钉 SM3/32x56x2	Screw	2	
51	01-805000614-1	螺钉	Screw	3	
52	131.01-10	底板支柱	Safety lable	2	
53	201.02-10	安全指示牌	Safety lable	1	
54	101.01-13	安全指示牌	Safety lable	1	
55	01-505001824-1	油盘螺钉	Screw	6	
56	130.09-30	测油浮标	Oil buoy	1	

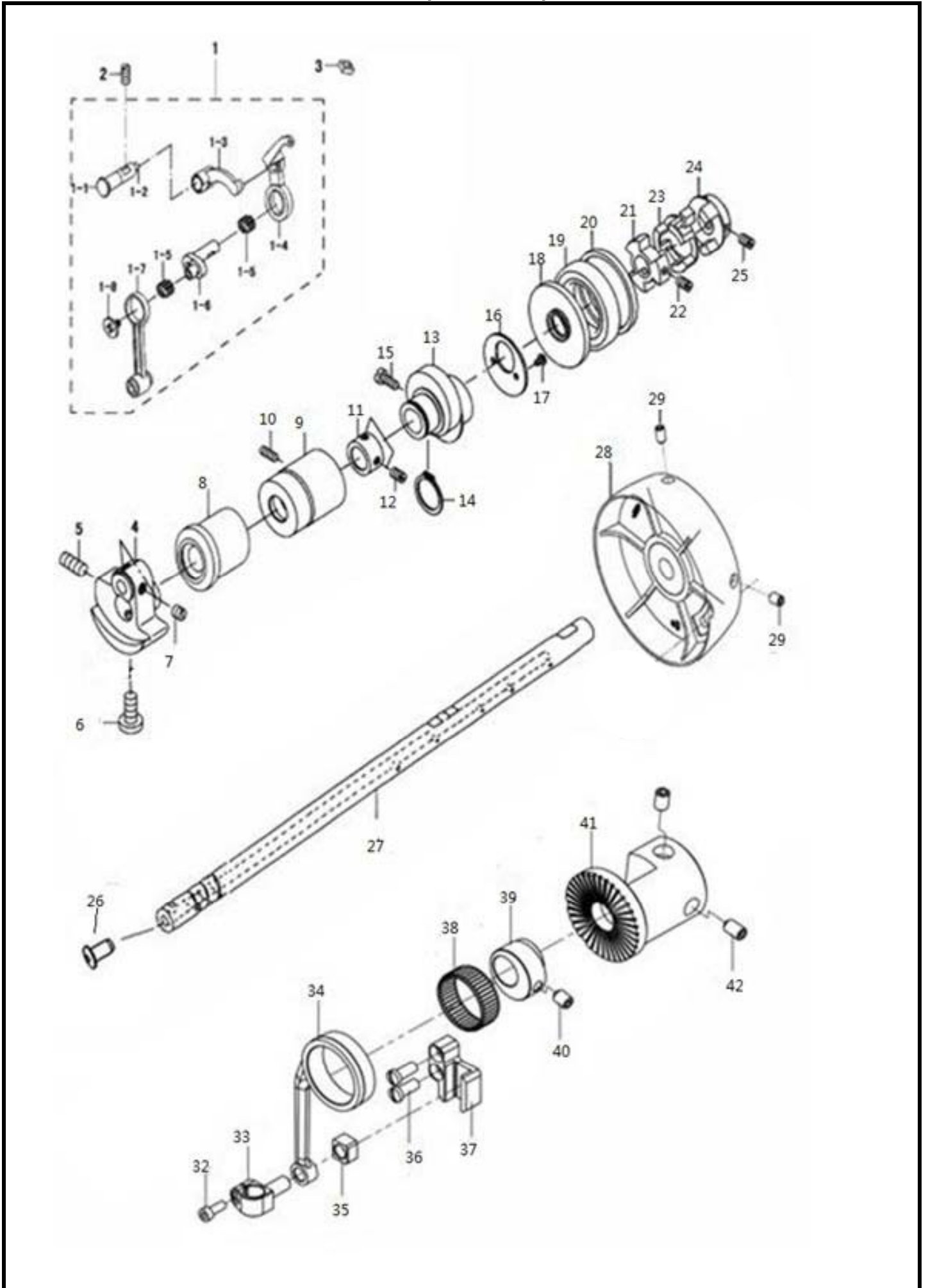
2、上轴·挑线部件/Main shaft&Thread take-up lever components



2、上轴·挑线部件/Main shaft&Thread take-up lever components

序号 Ref.No	图号 Part. No	名称/Name of parts		数量 Qty	备注 Note
		中文	English		
1	110.02-04	挑线杆大组件	Thread take-up lever big asm.	1套	
1-1	101.02-02	挑线连杆销	Thread take-up crank shaft	(1)	
1-2	101.02-03	挑线连杆销油线	Roller felt	(1)	
1-3	101.02-04-02	挑线连杆	Thread take-up lever	(1)	
1-4	101.02-04-01	挑线杆组件	Thread take-up lever asm.	(1)	
1-5	14-0081208-0	挑线杆滚针轴承	Thread take-up bearing	(2)	
1-6	110.02-04-04	挑线曲柄	Crank	(1)	
1-7	101.02-04-05	针杆连杆	Needle bar crank rod	(1)	
1-8	101.02-04-06	左旋挑线曲柄螺钉	Left screw	(1)	
2	02-815281151-1	螺钉 SM15/64x28x11	Screw	1	
3	101.02-05	橡皮套	Rubber	1	
4	121.02-01	针杆曲柄	Needle bar crank	1	
5	02-818281651-1	螺钉 SM9/32x28x16	Screw	1	
6	02-418281531-1	螺钉 SM9/32x28x15	Screw	1	
7	02-816400611-1	螺钉 SM1/4x40x6	Screw	2	
8	131.02-01	上轴前轴套	Main shaft front bushing	1	
9	102.02-27	上轴中轴套	Bushing,intermediate	1	
10	02-815280714-1	螺钉 SM15/64x28x7	Screw	1	
11	102.02-23	上轴挡圈	Collar	1	
12	02-816400811-1	螺钉 SM1/4x40x8	Screw	2	
13	101.02-12	送料偏心轮	Feed drive eccentric cam	1	
14	10-1851320-1	挡圈 $\phi 18.5 \times 1.3$	Snap ring	1	
15	02-516401111-1	螺钉 SM1/4x40x11	Screw	2	
16	101.02-32	送料偏心轴盖板	Thrust collar	1	
17	02-209400821-1	螺钉 SM9/64x40x8	Screw	2	
18	13-14150550	上轴油封 $\phi 14.5 \times 5 \times \phi 55$	Oil seal	1	
19	14-61907-2Z	轴承 $\phi 35 \times \phi 55 \times 10$	Bearing	1	
20	102.02-47	轴承垫	Washer	1	
21	102.02-44	连轴器(1)	Linker(1)	1	
22	01-806750814-1	螺钉 M6x0.75x8	Screw	3	
23	210.04-44	连轴器橡胶圈	Rubber ring	1	
24	102.02-48	连轴器(2)	Linker(2)	1	
25	01-806750614-1	螺钉 M6x6	Screw	3	
26	22-07014012	孔塞	Rubber plug	1	
27	131.02-02	上轴	Main shaft	1	
28	128.02-11	手轮组件	Hand wheel	1	
29	02-815281014-1	螺钉 SM15/64x28x10	Screw	2	
32	02-509400921-1	切刀连接柱螺钉	Screw	1	
33	121.02-09	切刀连接柱	Knife driving stud connection as	1	
34	121.02-03	切刀连杆	Knife driving rod	1	
35	121.02-08	切刀滑块	Crank slide block	1	
36	02-412281123-1	切刀滑块导轨螺钉	Screw	2	
37	121.02-06	切刀滑块导轨	Slide block guide	1	

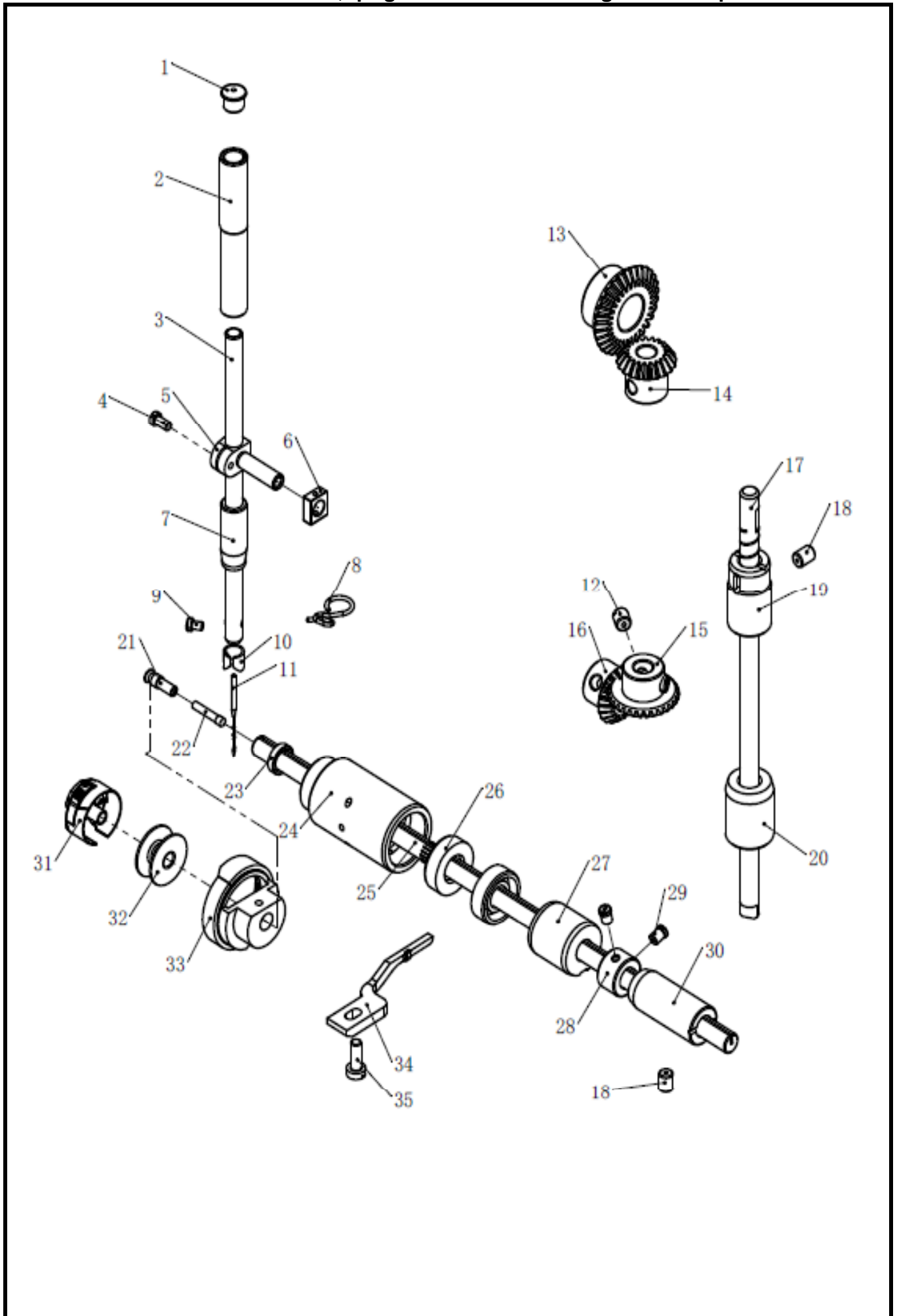
2、上轴·挑线部件/Main shaft&Thread take-up lever components



2、上轴·挑线部件/Main shaft&Thread take-up lever components

序号 Ref.No	图号 Part. No	名称/Name of parts		数量 Qty	备注 Note
		中文	English		
38	14-K252910	切刀连杆滚针轴承	Knife needle bearing	1	
39	131.02-03	切刀凸轮	Knife cam	1	
40	02-816400514-1	切刀凸轮螺钉	Knife cam screw	1	
41	121.02-10A	切刀连杆平衡锤	Balancer	1	
42	02-815281014-1	平衡锤螺钉	Screw	2	

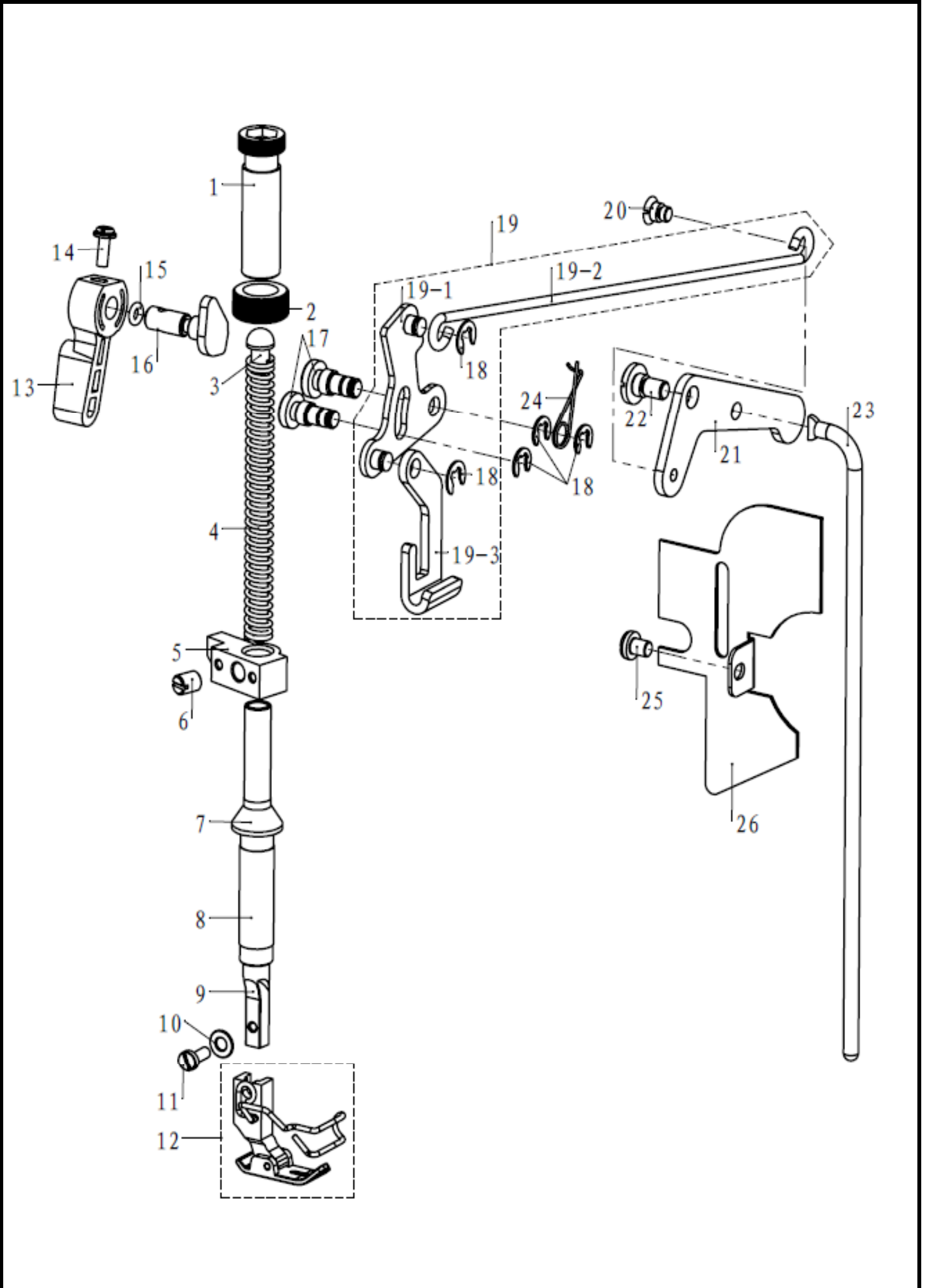
3、针杆·竖轴·下轴部件/Needle bar,upright shaft&hook driving shaft components



3、针杆·竖轴·下轴部件/Needle bar,upright shaft&hook driving shaft components

序号 Ref.No	图号 Part. No	名称/Name of parts		数量 Qty	备注 Note
		中文	English		
1	22-08506511	橡胶塞 φ8.5x6.5xφ10.5	Cap	1	
2	130.03-05	针杆上套	Needle bar bushing (upper)	1	
3	130.03-06	针杆	Needle bar	1	
4	02-509400721-1	螺钉 SM9/64x40x5	Screw	1	
5	129.02-07-10	针杆连接柱	Needle rod holder	1	
6	102.03-06A	针杆连接柱滑块	Slide block	1	
7	130.03-07	针杆下套	Needle bar bushing (lower)	1	
8	101.13-08	针杆下套线钩	Needle bar thread guide	1	
9	02-508440521-1	螺钉 SM1/8x44x5	Screw	1	
10	121.03-01-01	针杆线钩	Needle bar thread guide	1	
11	8020302	机针DB_1-14	Needle	1	
12	02-816400711-1	螺钉 SM1/4x40x7	Screw	8	
13	101.03-12	上轴伞齿轮	Conical gear	1	
14	101.03-14	竖轴上伞齿轮	Conical gear	1	
15	122.03-16	竖轴下伞齿轮	Gear	1	
16	101.03-18	下轴伞齿轮	Conical gear	1	
17	101.03-20	竖轴	Upright shaft	1	
18	02-815280814-1	螺钉 SM15/64x28x8	Screw	2	
19	101.03-21	竖轴上轴套	Upright shaft bushing (upper)	1	
20	101.03-23	竖轴下轴套	Upright shaft bushing (lower)	1	
21	102.03-40	下轴限油螺钉	Oil seal screw	1	
22	101.03-35A	下轴限油芯	Oil wick	1	
23	13-07230120	油封7.2x3x12	Grease seal	1	
24	131.03-02	下轴前轴套	Lower shaft bushing	1	
25	102.03-31	下轴	Lower shaft	1	
26	13-07270220	油封7.2x7x22	Grease seal	2	
27	130.03-03	下轴中轴套	Bushing (intermediate)	1	
28	101.03-26	下轴挡圈	Thrust collar	1	
29	02-511400511-1	螺钉 SM11/64x40x5	Screw	2	
30	101.03-24	下轴后轴套	Bushing rear	1	
31	122.03-37-02	梭壳	Bobbin case	1	
32	101.03-37-02	梭心	Bobbin	1	
33	101.03-36-02	广濑电脑旋梭	Hook	1	
34	108.07-14	旋梭定位钩	Bobbin case holder	1	
35	02-511401221-1	螺钉 SM11/64x40x12	Screw	1	

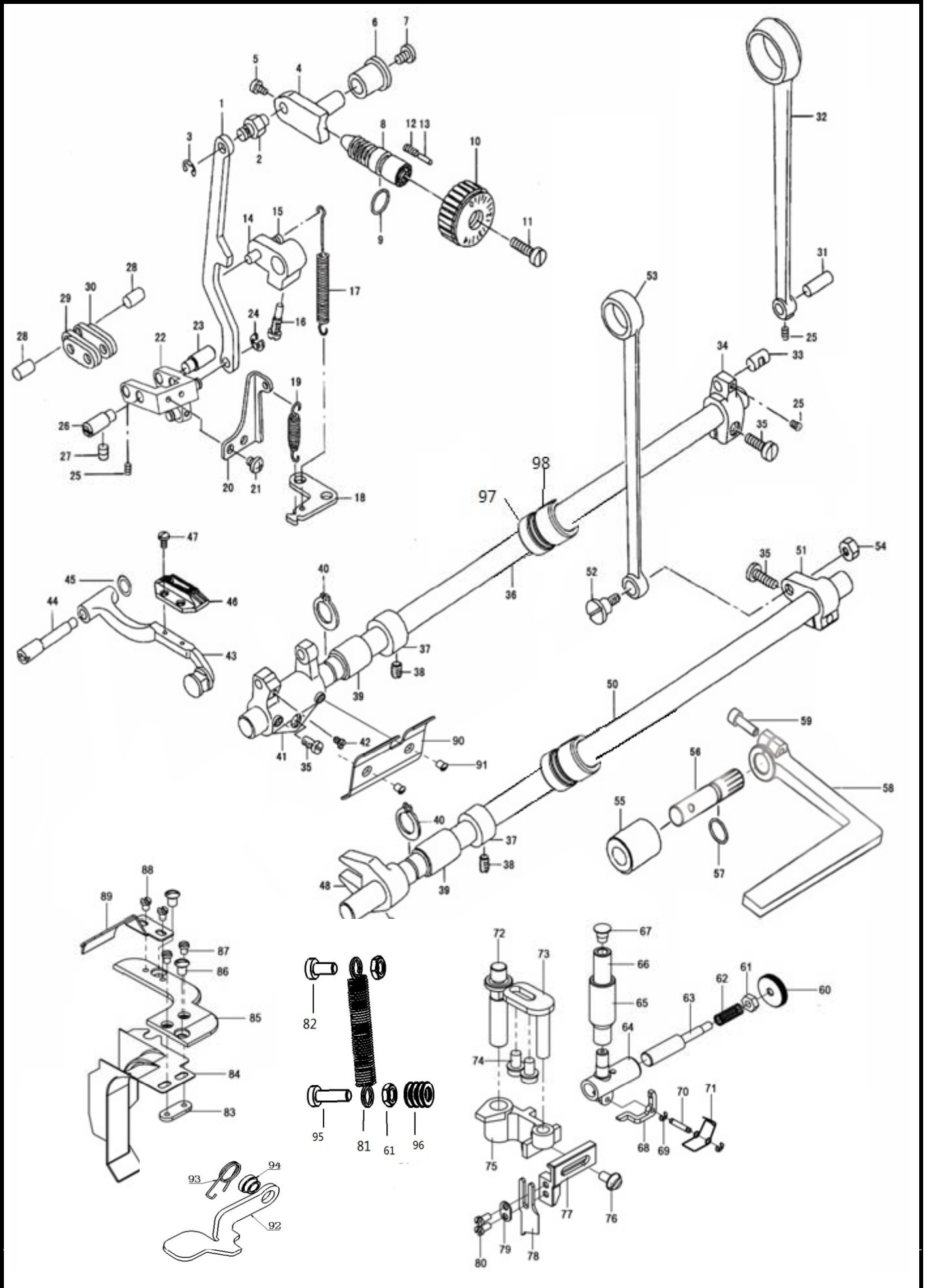
4、压杆部件/Hand lifter components



4、压杆部件/Hand lifter components

序号 Ref.No	图号 Part. No	名称/Name of parts		数量 Qty	备注 Note
		中文	English		
1	101.04-32	调压螺钉	Presser spring regulator	1	
2	101.04-31	调压螺母	Presser adjusting screw nut	1	
3	101.04-40	调压导杆	Presser guide bar	1	
4	101.04-33	调压簧	Presser adjusting spring	1	
5	101.04-34	压杆导架	Presser bar guide bracket	1	
6	02-816400811-1	螺钉 SM1/4x40x8	Screw	1	
7	101.04-41	防油伞	Rubber	1	
8	101.04-05	压杆轴套	Presser bar bushing	1	
9	101.04-35	压杆	Presser bar	1	
10	05-043080900-1	平垫片φ4.3x0.8xφ9	Washer	1	
11	02-509401021-1	螺钉 SM9/64x40x11	Screw	1	
12	121.04-01	活压脚组件	Presser foot asm.	1	
13	101.04-01	压脚扳手	Hand lifter	1	
14	19-409401023-1	螺钉 SM9/64x40x10	Screw	1	
15	12-038180	O型圈 φ3.8xφ1.8	Rubber ring	1	
16	88-PZ1-4	压脚扳手凸轮组件	Hand lifter cam asm.	1	
17	102.04-07	前杠杆螺纹销	Link shaft	2	
18	06-0500611-1	开口挡圈 φ5xφ11x0.6	E-ring	5	
19	101.04-39	前杠杆组件	Knee lifting cross rod asm.	1	
19-1	101.04-39-01	抬压脚前杠杆小组件	Hand lifter link asm.	1	
19-2	101.04-39-05	抬压脚拉杆	Knee lifting cross rod	1	
19-3	101.04-39-03	压脚升降板	Lifting lever	1	
20	101.04-11	活压脚压杆螺钉	Hinge screw	1	
21	126.04-02	抬压脚后杠杆	Lifting lever link	1	
22	101.04-12	后杠杆轴位螺钉	Hinge screw	1	
23	126.04-01	抬压脚顶杆	Knee lifter connecting rod	1	
24	130.04-34	前杠杆复位簧	Front lever reset spring	1	
25	02-412280623-1	螺钉 SM3/16x28x6	Screw	1	
26	132.03-01	挡油板	Break oil	1	

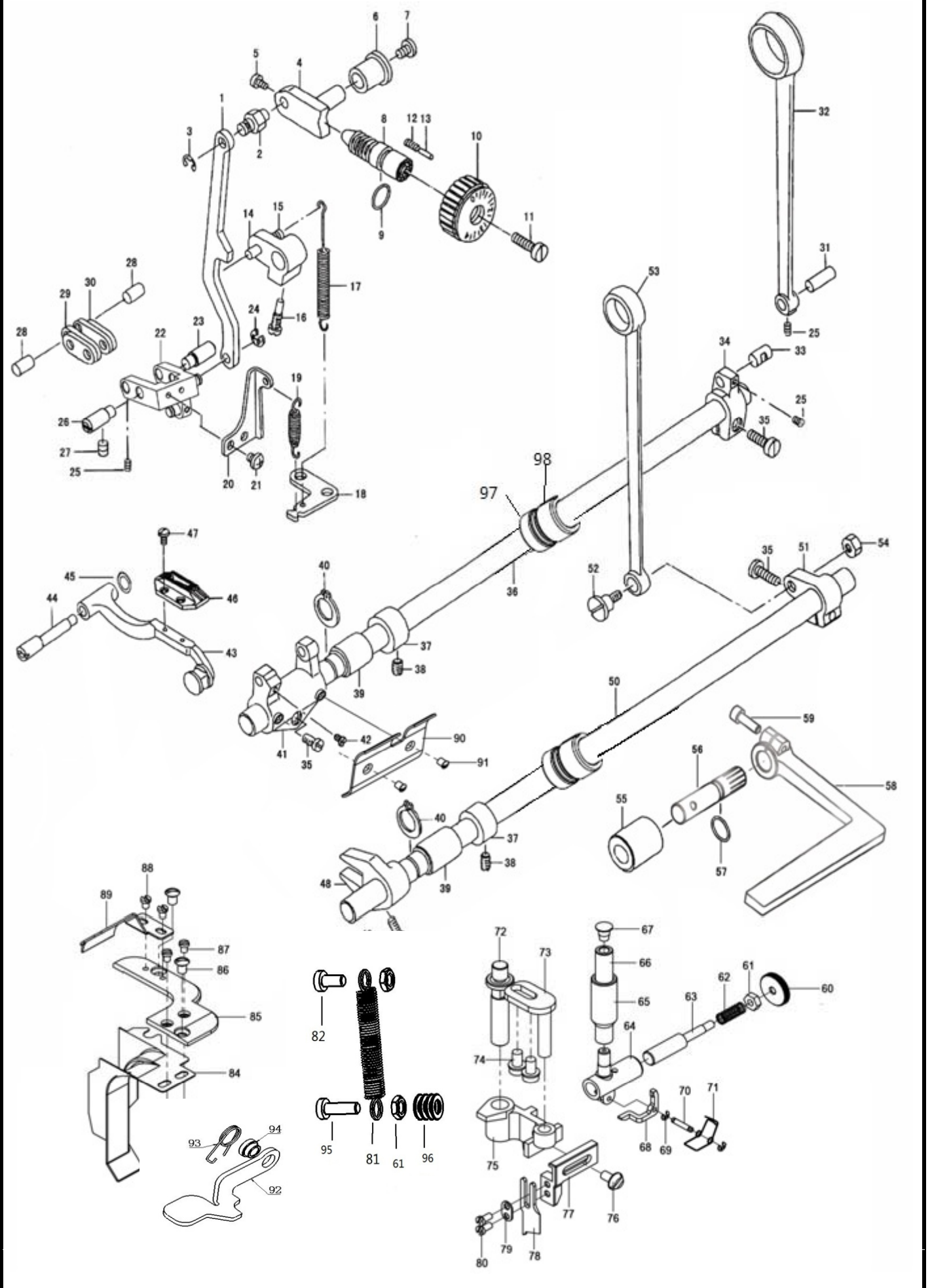
5、送料部件/Feed mechanism components



5、送料部件/Feed mechanism components

序号 Ref.No	图号 Part. No	名称/Name of parts		数量 Qty	备注 Note
		中文	English		
1	102.05-01G	倒送料连杆	Feed adjust rod	1	
2	102.05-02	倒送料连杆销	Feed regulator pin	1	
3	06-0601012-1	开口挡圈 $\phi 6 \times 1 \times \phi 12$	E-ring	1	
4	101.05-04	送料调节器	Feed regulator	1	
5	02-509400621-1	螺钉 SM9/64x40x6	Screw	2	
6	101.05-05	送料调节器轴套	Feed regulator bushing	1	
7	02-312280721-1	螺钉 SM3/16x28x7	Screw	1	
8	102.05-07	送料距调节螺栓	Feed regulator screw	1	
9	12-095265	O型圈 $\phi 9.5 \times \phi 2.65$	Rubber ring	1	
10	101.05-10	针距标盘	Feed dial	1	
11	02-512281821-1	螺钉 SM3/16x28x18	Screw	1	
12	103.04-03	止动销弹簧	Spring	1	
13	102.05-09	送料距锁合销	Feed adjust pin	1	
14	102.05-19-01	倒送料曲柄	Feed reverse arm	1	
15	101.05-19-02	倒送料曲柄销	Pin	1	
16	02-516402031-1	螺钉 SM1/4x40x20	Screw	1	
17	102.05-17	倒送料拉簧	Feed reverse spring	1	
18	101.05-38	拉簧固定板	Feed spring hood	1	
19	101.05-17G	摆动板座复位簧	Spring	1	
20	101.05-36	摆动板座复位板	Adjusting link spring guide	1	
21	02-511400721-1	螺钉 SM11/64x40x7	Screw	2	
22	101.05-27A	摆动板座组件	Feed adjust link asm.	1	
23	102.05-28-01	摆动板座销钉(长)	Adjusting link fulcrum shaft pin	1	
24	06-0500611-1	开口挡圈 $\phi 5 \times 0.6 \times \phi 11$	E-ring	1	
25	02-809400424-1	螺钉 SM9/64x40x4	Screw	4	
26	101.05-28	摆动板座销钉(短)	Adjusting link fulcrum shaft pin	1	
27	02-815281014-1	螺钉 SM15/64x28x10	Screw	2	
28	101.05-24	短摆动板连接销	Walking foot short pin	2	
29	101.05-25	送料长摆动板	Connecting link long pin	2	
30	101.05-26	送料短摆动板	Connecting link short pin	2	
31	101.05-13	送料连杆销	Walking foot long pin	1	
32	101.05-12	送料连杆	Rocker shaft connecting rod	1	
33	101.05-40	送料曲柄销	Walking foot middle pin	1	
34	101.05-43	送料曲柄	Feed rocker shaft crank	1	
35	02-412281421-1	螺钉 SM3/16x28x14	Screw	3	
36	101.05-39	送料轴	Feed rocker shaft	1	
37	101.02-17	上轴挡圈	Thrust collar	2	
38	02-816400514-1	螺钉 SM1/4x40x5	Screw	4	
39	130.05-20	送料轴左套	Left shaft of feeding shaft	2	
40	10-1381017-1	轴用挡圈 $\phi 13.8 \times 1$	Retaining ring	2	
41	121.05-02	牙架座	Feed bar crank	1	
42	02-511400721-1	螺钉 SM11/64x40x7	Screw	1	
43	101.05-35	牙架组件	Feed bar asm.	1	
44	130.05-31	牙架销	Feed bar shaft pin	1	
45	05-051081203-5	垫圈 $\phi 5.1 \times 0.8 \times \phi 12$	Washer	1	
46	121.05-01	送料牙	Feed dog	1	
47	02-608440621-1	螺钉 SM1/8x44x6	Screw	2	
48	101.05-57	抬牙叉形曲柄	Driving shaft crank	1	

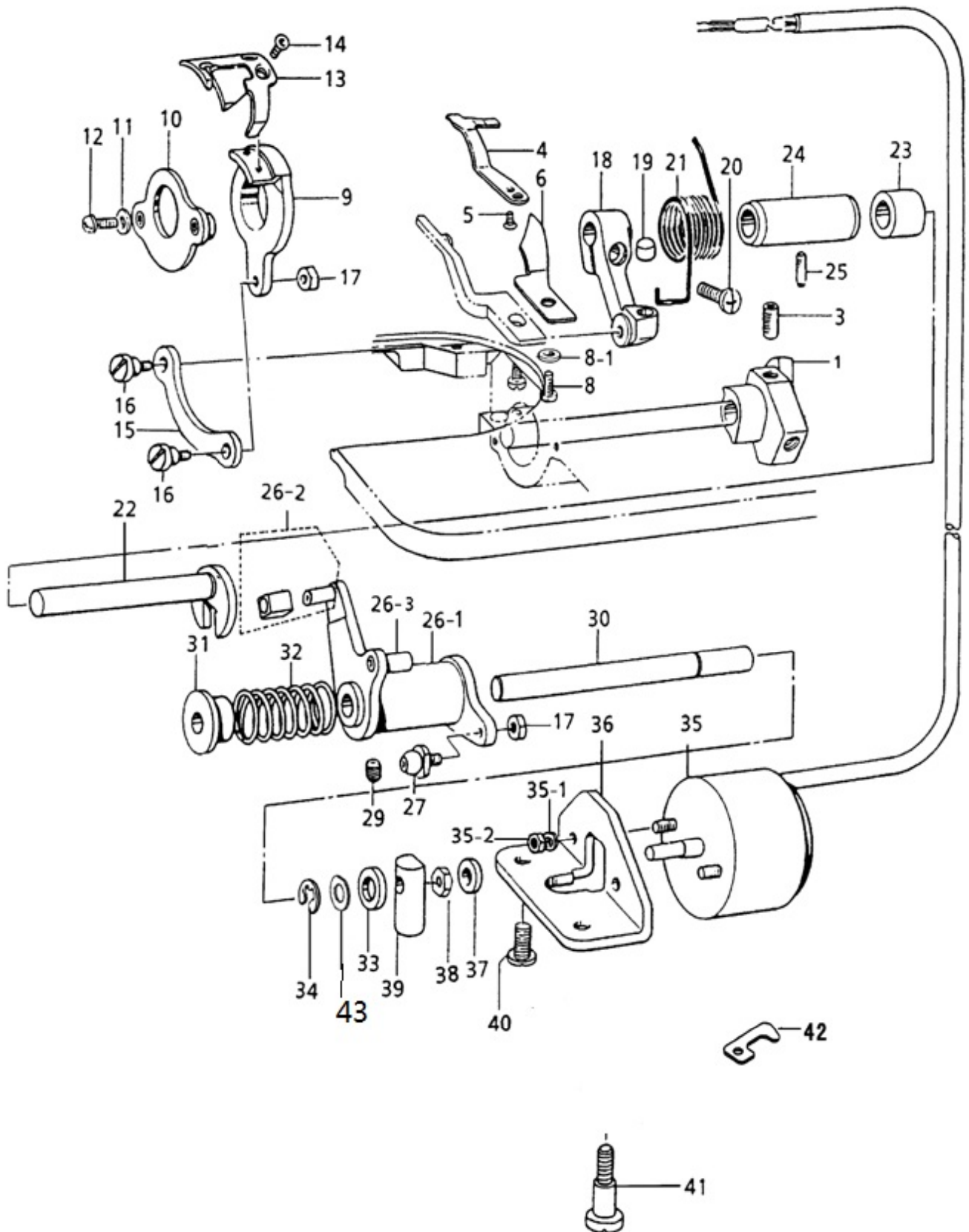
5、送料部件/Feed mechanism components



5、送料部件/Feed mechanism components

序号 Ref.No	图号 Part. No	名称/Name of parts		数量 Qty	备注 Note
		中文	English		
49	02-411401121-1	螺钉 SM11/64x40x11	Screw	1	
50	101.05-48	抬牙轴	Feed driving shaft	1	
51	101.05-45	抬牙后曲柄	Lifting crank (back)	1	
52	101.05-47	螺钉	Hinge screw	1	
53	101.05-15	抬牙连杆	Connecting rod	1	
54	04-618280400-1	螺母 SM9/32x28x4	Nut	1	
55	102.05-65	倒送料轴套	Feed lever bushing	1	
56	101.05-63	倒送料轴	Feed reverse shaft	1	
57	12-062240	O型圈 $\phi 6.2 \times \phi 2.4$	Rubber ring	1	
58	102.05-68	倒送料扳手	Reverse feed control lever	1	
59	01-505001624-1	螺钉 M5x16	Screw	1	
60	121.05-13	切刀离合销旋钮	Knob	1	
61	04-611400300-1	切刀离合销螺母	Nut	3	
62	121.05-12	切刀离合销簧	Spring	1	
63	121.05-11A	切刀离合销	knife driving rod clutch pin	1	
64	121.05-10A	切刀离合支架	knife driving rod clutch retainer	1	
65	121.05-09	切刀轴套	bushing	1	
66	121.05-08	切刀轴	Knife driving atud	1	
67	22-05507509	橡皮塞	Rubber plug	1	
68	121.05-14	切刀放松杆	Knife release lever	1	
69	06-0200405-1	切刀放松杆挡圈	Snap ring	2	
70	121.05-16	切刀放松杆销	Pin	1	
71	121.05-15	切刀放松杆簧	Spring	1	
72	121.05-18	切刀座轴	Knife driving block stud	1	
73	121.05-19	切刀座导杆	Guide stud for knife driving block	1	
74	19-505000824-1	切刀座导杆螺钉	Screw	2	
75	121.05-22	切刀座	Knife driving block	1	
76	02-611400821-1	切刀架螺钉	Screw	1	
77	121.05-23	切刀架	Knife holder	1	
78	121.05-25	上切刀	upper knife	1	
79	121.05-26	上切刀压板	upper knife pusher	1	
80	02-608440621-1	上切刀螺钉	Screw	2	
81	121.05-28	切刀座拉簧	Spring	1	
82	02-511401021-1	切刀座拉簧螺钉	Screw	1	
83	121.05-27	针板挡屑板安装板	install plate	1	
84	121.05-05	针板挡屑罩	Waste material guard	1	
85	121.05-04	针板挡板	Throat plate	1	
86	02-211400823-1	针板挡板螺钉	Screw	2	
87	02-508440421-1	螺钉	Screw	2	
88	02-508440321-1	螺钉	Screw	2	
89	121.05-06	针板挡屑导向板	Throat plate	1	
90	121.05-03	牙架挡屑板	Holder	1	
91	02-509400521-1	牙架挡屑板螺钉	Screw	2	
92	131.05-01	切刀扳手	Knife wrench	1	
93	131.05-02	切刀扳手复位簧	Cutter wrench reset spring	1	
94	131.05-03	切刀扳手安装套	Cutter wrench installation sleeve	1	
95	02-511401621-1	切刀座拉簧螺钉	Screw	1	
96	04-611400300-1	切刀离合销螺母	Nut	1	
97	14-14312210	油封	Grease seal	2	
98	130.05-25	送料轴中轴套	shaft bushing of feeding shaft	2	

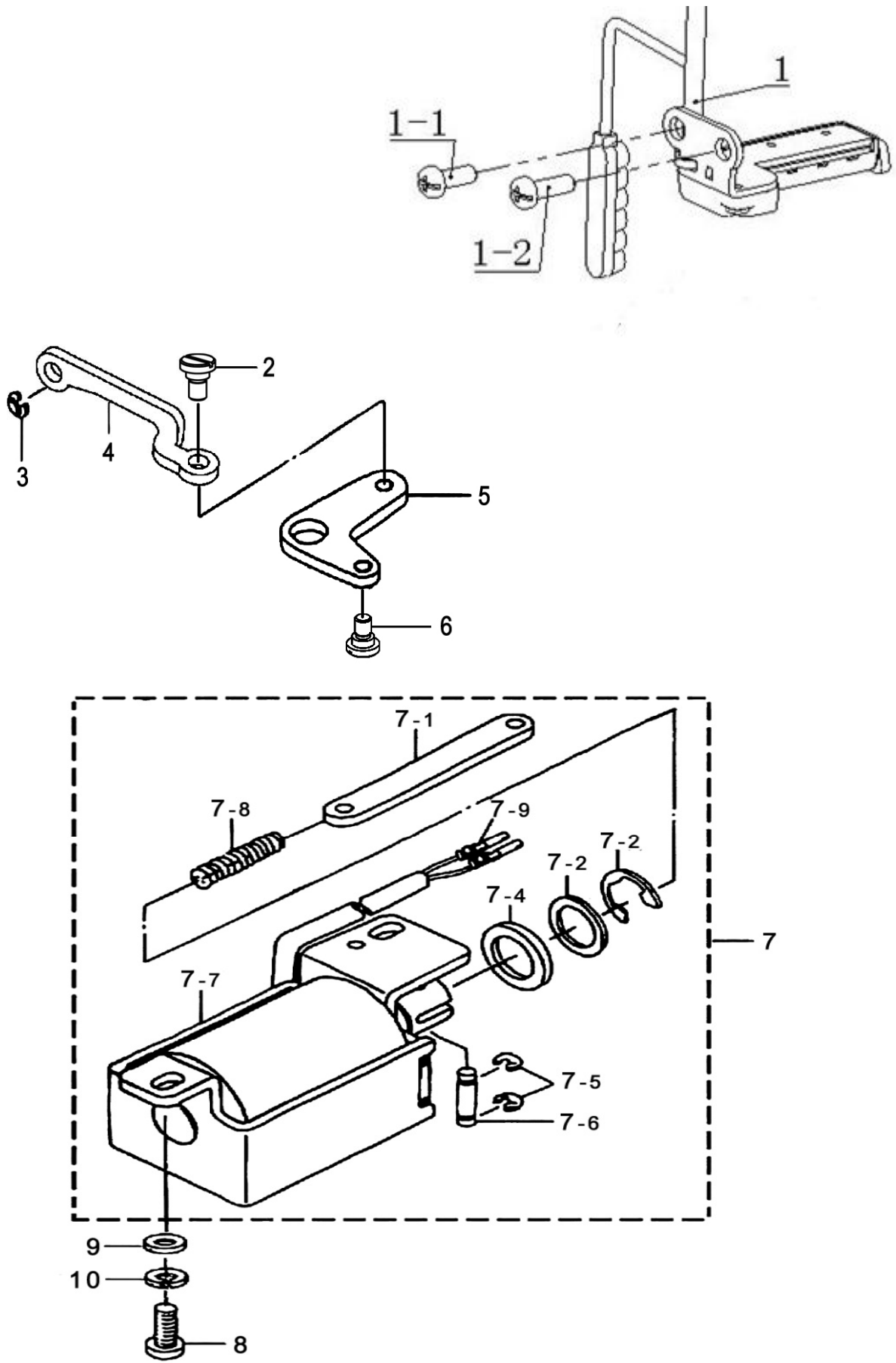
6、自动切线部件/Thread trimmer components



6、自动切线部件/Thread trimmer components

序号 Ref.No	图号 Part. No	名称/Name of parts		数量 Qty	备注 Note
		中文	English		
1	103.11-01G	切线凸轮	Thread shear cam	1	
3	02-816401014-1	螺钉	Screw	2	
4	102.06-04N	固定刀	Secant knife	1	
5	02-209400521-1	螺钉	Screw	1	
6	102.06-06	分线器	Protect needle patch	1	
8	02-509400521-1	螺钉	Screw	1	
8-1	05-043080900-1	分线器螺钉垫片	Washer	1	
9	102.06-09	剪线刀架	Knife bracket	1	
10	102.06-10	刀架压板组件	Partiality shank asm.	1	
11	05-043080900-1	刀架压板螺钉垫片	Washer	2	
12	02-411401223-1	螺钉	Screw	2	
13	102.06-13G	活动刀	Motorial knife	1	
14	02-111400524-1	螺钉	Screw	2	
15	102.06-15	刀轴连杆	Knife shaft connecting rod	1	
16	102.06-16	连杆螺钉	Screw	2	
17	04-611400300-1	螺母	Nut	2	
18	121.06-01	切刀驱动曲柄	Thread shear rock crank	1	
19	103.11-09-06G	驱动曲柄止动块	Positioning block	1	
20	02-512321423-1	螺钉	Screw	1	
21	102.06-21	切线曲柄弹簧	Spring	1	
22	121.05-30	切刀驱动曲柄轴	Thread shear rock arm shaft	1	
23	102.06-23	驱动曲柄轴短套	Short bush	1	
24	121.05-31	切线轴套	Thread shear cam bushing	1	
25	02-811400614-1	螺钉	Screw	1	
26-1	102.06-26-1	切线凸轮曲柄	Thread shear rock arm shaft	1	
26-2	102.06-26-2-0	滑块轴组件	Slippery piece shaft asm.	1	
26-3	102.06-26-3	切线限位轴	Limit potential shaft	1	
27	102.06-27-0	滚柱轴组件C	Roll shaft asm.	1	
29	02-816400514-1	螺钉	Screw	1	
30	130.06-09	切刀驱动轴	Thread shear shaft	1	
31	102.06-31	扭簧端盖	Spring cover	1	
32	102.06-32	切线凸轮复位弹簧	Spring	1	
33	102.06-33	电磁铁缓冲垫	Magnetic plug cushion mat	1	
34	06-0601012-1	挡圈	E-ring	1	
35	QD-13-E	切线电磁铁	Thread trimmer solenoid	1	
35-1	102.06-35-1	切线电磁铁弹垫	Spring washer	2	
35-2	03-604000400-4	螺母	Nut	2	
36	102.06-36	切线电磁铁支架	Thread trimmer solenoid base	1	
37	102.06-37	橡胶垫	Rubber ring	1	
38	04-606400400-1	螺母	Nut	1	
39	102.06-39	切线电磁铁顶销	Thread trimmer solenoid pin	1	
40	02-315280921-1	螺钉	Screw	1	
41	102.06-41	螺钉	Screw	1	
42	101.06-20	电磁铁导线压板	Solenoid press plate	1	
43	05-081101550-5	垫片 $\phi 8.1 \times 1 \times \phi 15.5$	Washer	1	

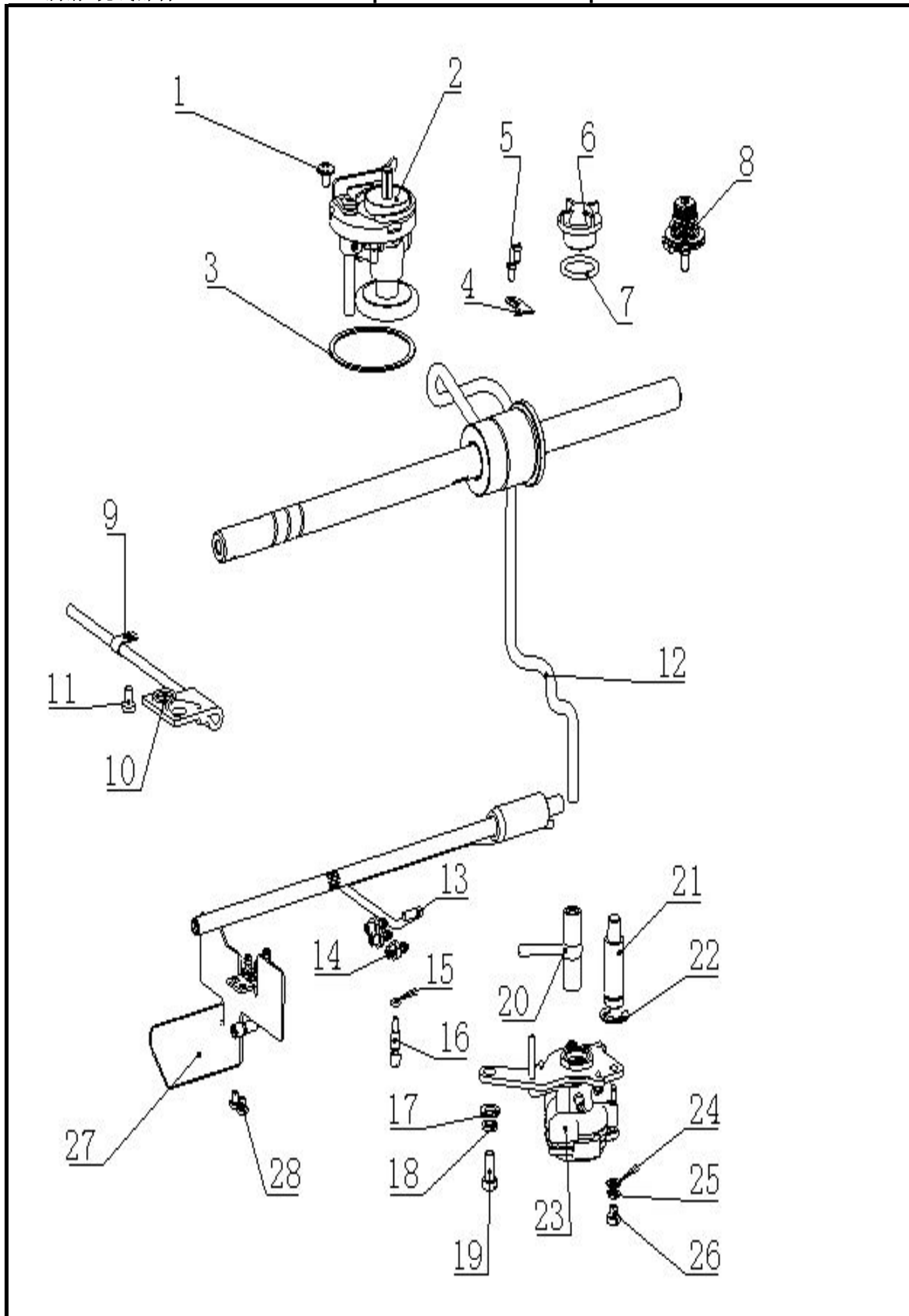
7、自动倒缝部件/Automatic reverse feed components



7、自动倒缝部件/Automatic reverse feed components

序号 Ref.No	图号 Part. No	名称/Name of parts		数量 Qty	备注 Note
		中文	English		
1	DL-12/02	倒缝开关组件	Backseam switch assembly	1	
1-1	01-405000823-1	螺钉 M5x8	Screw	1	
1-2	01-405001423-1	螺钉 M5x14	Screw	1	
2	101.07-06-04	轴位螺钉	Shaft screw	1	
3	06-0500611-1	挡圈 $\phi 5 \times 0.6 \times \phi 11$	E-ring 5	1	
4	101.07-04G	自动倒送料拉杆	Reverse feed connecting shaft	1	
5	128.07-06-01	倒缝曲柄	Connecting arm asm	1	
6	128.07-06-02	轴位螺钉	Shaft screw	1	
7	DD-12	倒缝电磁铁组件	Reverse feed asm	1	
7-1	DD12-01-0A0	倒缝铁芯连杆	Reverse feed connecting link	1	
7-2	101.07-08-02	倒缝铁芯挡圈E12	E-ring 12	1	
7-3	101.07-08-03	垫片	Washer 16X24X2.6	1	
7-4	101.07-08-04	橡胶垫片	Rubber Plunger	1	
7-5	101.07-08-05	连接销卡簧	E-ring	2	
7-6	101.07-08-06	倒缝铁芯连接销	Plunger arm Pin	1	
7-7	DD02-01-0A0	倒缝电磁铁	Reverse feed magnet asm.	1	
7-8	101.07-08-08	连杆定位簧	Plunger spring	1	
7-9	101.07-08-09	导线插针	pin contact	2	
8	02-715281521-1	螺钉M5×12	Screw	2	
9	05-064161200-1	平垫 $\phi 6.4 \times 1.6 \times \phi 12$	Washer	2	
10	07-0631616-1	弹垫 $\phi 6.3 \times 1.6 \times 1.6$	Spring washer	2	

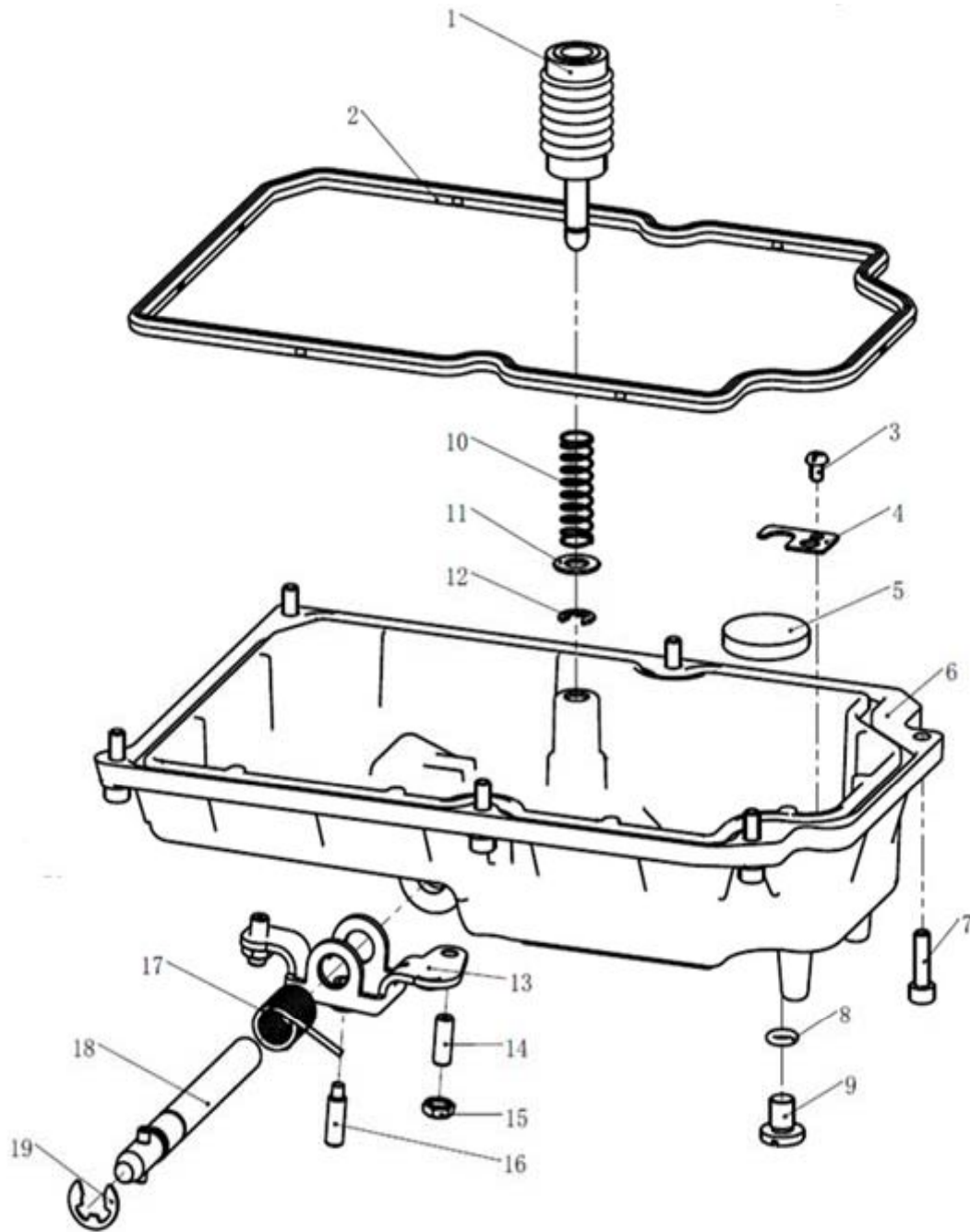
8、润滑·绕线部件/Oil lubrication components&bobbin components



8、润滑·绕线部件/Oil lubrication components&bobbin components

序号 Ref.No	图号 Part. No	名称/Name of parts		数量 Qty	备注 Note
		中文	English		
1	02-312320722-3	螺钉 SM3/16x32x7	Screw	3	
2	102.09-32	绕线器组件	Bobbin winder unit	1	
3	102.09-42	绕线轮垫圈	Washer	1	
4	102.09-34	切刀	Knife	1	
5	02-509400421-1	螺钉 SM9/64x40x4	Screw	2	
6	101.09-01	油窗	Oil sight window	1	
7	12-190265	油窗O型圈	Rubber ring	1	
8	102.09-36	夹线器组件	Thread tension asm.	1	
9	101.09-06	回油管组件	Oil return tube asm.	1	
10	101.09-05	回油毡夹	Returning felt clip	1	
11	02-412320821-1	螺钉 SM3/16x32x8	Screw	1	
12	130.09-34	上轴供油管	Main shaft oil tube	1	
13	130-PZ6-3	旋梭供油管	Oil tube	1	
14	103.08-33	供油口	Oil Supply	6	
15	12-030000	O型圈	Rubber ring	1	
16	130.09-09	旋梭油量调节螺钉	Oil adjusting screw	2	
17	05-064161200-1	平垫片	Washer	1	
18	07-0631616-1	弹簧垫圈	Spring washer	1	
19	02-515281321-1	螺钉	Screw	1	
20	101.09-16	供油管接头	供油管接头	1	
21	101.09-13A	油泵连接螺柱	Oil pump support, large	1	
22	06-0901018-1	卡簧 $\phi 9 \times 1 \times \phi 18$	E-ring	1	
23	101.09-11	油泵组件	Lubricating oil pump asm.	1	
24	05-045080900-1	平垫片	Washer	1	
25	07-0521313-1	弹簧垫圈	Spring washer	1	
26	02-511401021-1	螺钉	Screw	1	
27	131.09-02	挡油板	Oil baffle	1	
28	01-404000623-1	螺钉	Screw	2	

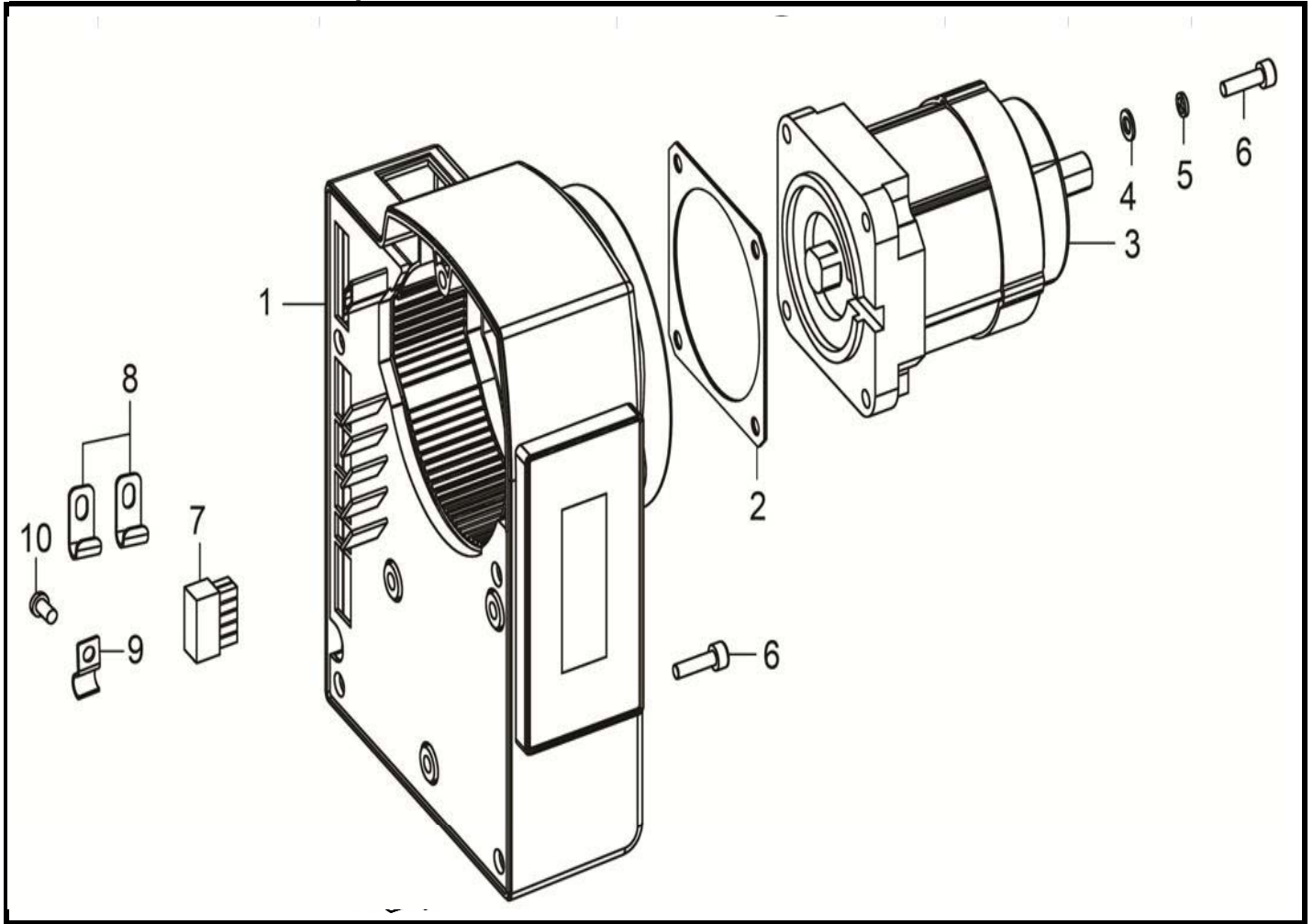
9、油盘部件/Oil reservoir components



9、油盘部件/Oil reservoir components

序号 Ref.No	图号 Part. No	名称/Name of parts		数量 Qty	备注 Note
		中文	English		
1	130.04-13	膝控顶杆		1	
2	130.09-25	橡胶密封圈	Rubber ring	1	
3	01-404000623-1	螺钉M4×6	Screw	3	
4	130.06-26	压线片	Washer	1	
5	130.09-10	磁铁	magnet	1	
6	130.09-32	底板油盘	Oil reservoir	1	
7	01-505001824-1	螺钉M5×18	Screw	9	
8	12-062240	o型6.2×2.4	Rubber ring	1	
9	02-608001121-1	螺钉M8×10	Screw	1	
10	130.04-33	膝控顶杆复位簧	Spring	1	
11	05-081101553-5	平垫片8.1×1.0×15.5	Washer	1	
12	06-0601012-1	开口挡圈6×1.0×12	E-ring	1	
13	101.10-05-01	抬压脚双向曲柄	Knee lifting rotating arm	1	
14	01-806001614-1	螺钉M6×16	Screw	2	
15	03-606000350-1	六角螺母	Nut	3	
16	01-806002034-1	螺钉M6×20	Screw	1	
17	128.09-27	双向曲柄扭簧	Spring	1	
18	128.04-30	膝控抬压脚轴	Knee press cross shaft	1	
19	06-0901018-1	开口挡圈9×1.0×16	E-ring	1	

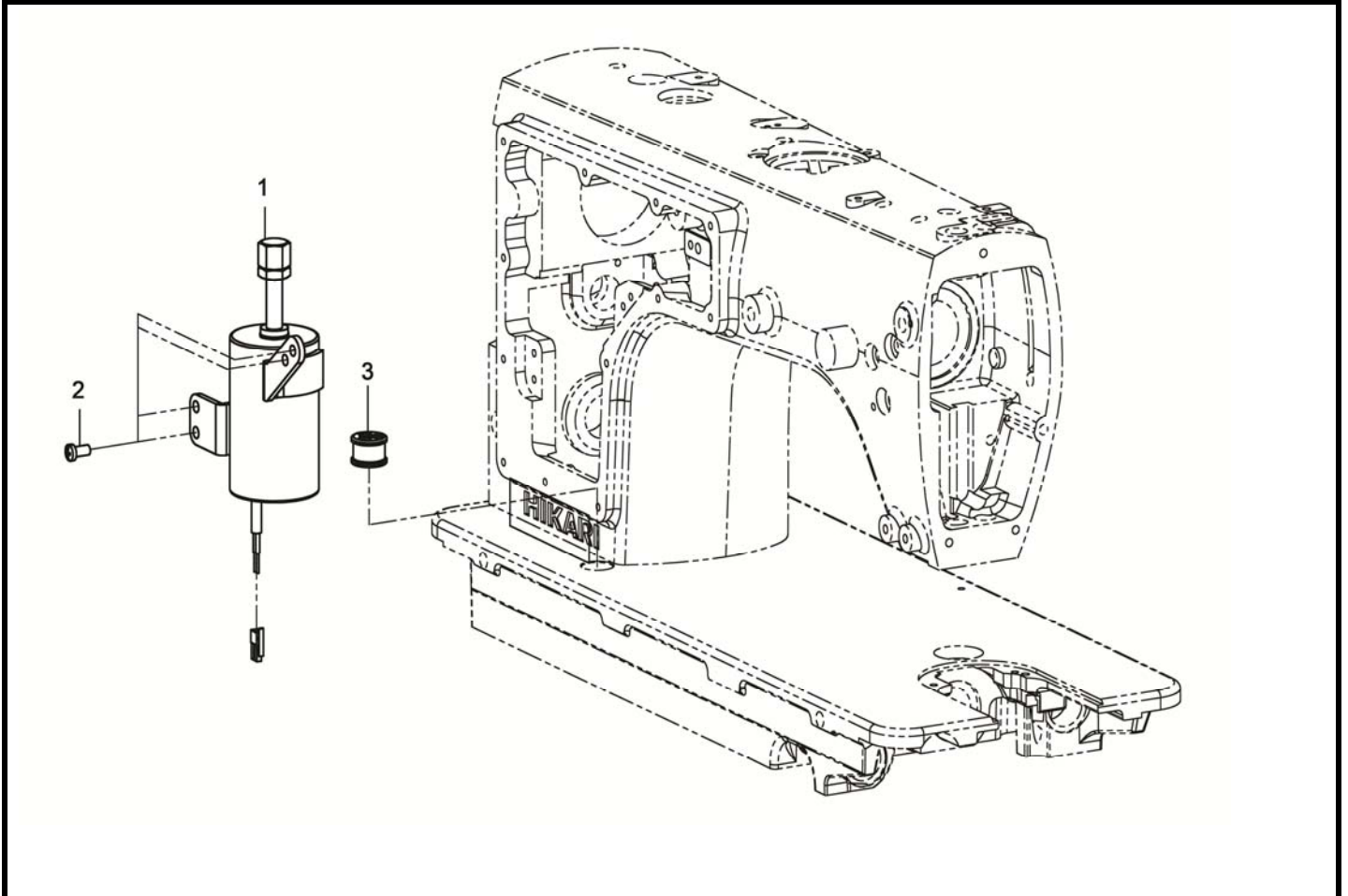
10、驱动部件/Driver components



10、驱动部件/Driver components

序号 Ref.No	图号 Part. No	名称/Name of parts		数量 Qty	备注 Note
		中文	English		
1	CB-02H/01	电控组件	Control asm.	1	
2	128.08-05	电机密封垫	Washer	1	
3	MO-02H-550F	【H8800F电机组件】沪龙	Motor asm	1	
4	05-053101000-1	平垫片	Washer	4	
5	07-0521313-1	弹簧垫圈	Spring washer	4	
6	02-512321824-1	螺钉	Screw	8	
7	126.08-01	插头HX42000-10R	Screw	1	
8	126.01-06	线夹	Clamp	1	
9	113.01-07	线夹	Clamp	1	
10	02-412280923-1	螺钉	Screw	1	

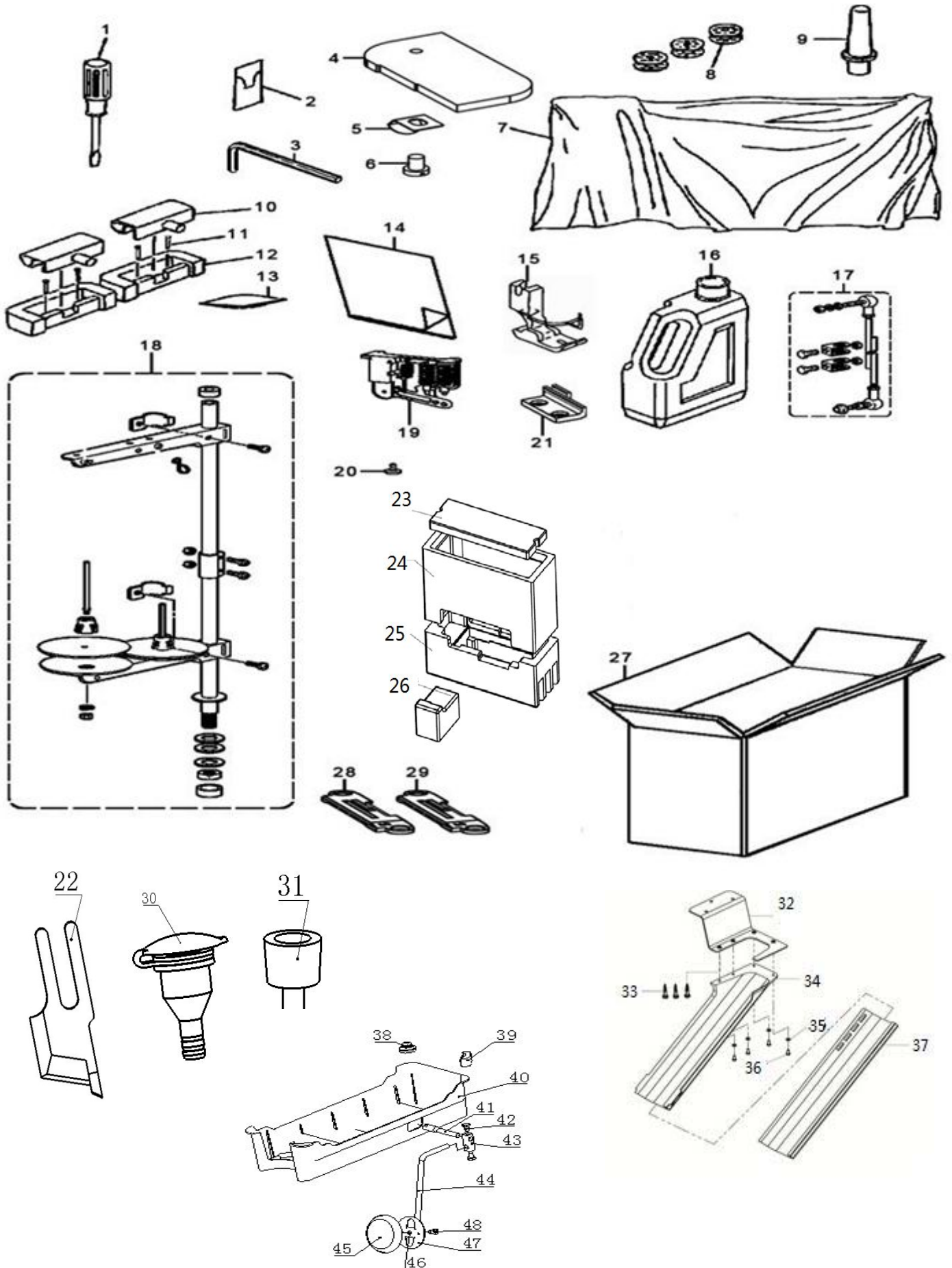
11、电磁抬压脚装置(选购件)/ Presser foot lifting set mechanism(Option parts)



11、电磁抬压脚装置(选购件)/ Presser foot lifting set mechanism(Option parts)

序号 Ref.No	图号 Part. No	名称/Name of parts		数量 Qty	备注 Note
		中文	English		
1	126.14-01	抬压脚电磁铁组件	Presser foot lifting asm.	1	
2	02-412280923-1	螺钉	Screw	4	
3	126.01-07	导线过线套	Rubber plug	1	

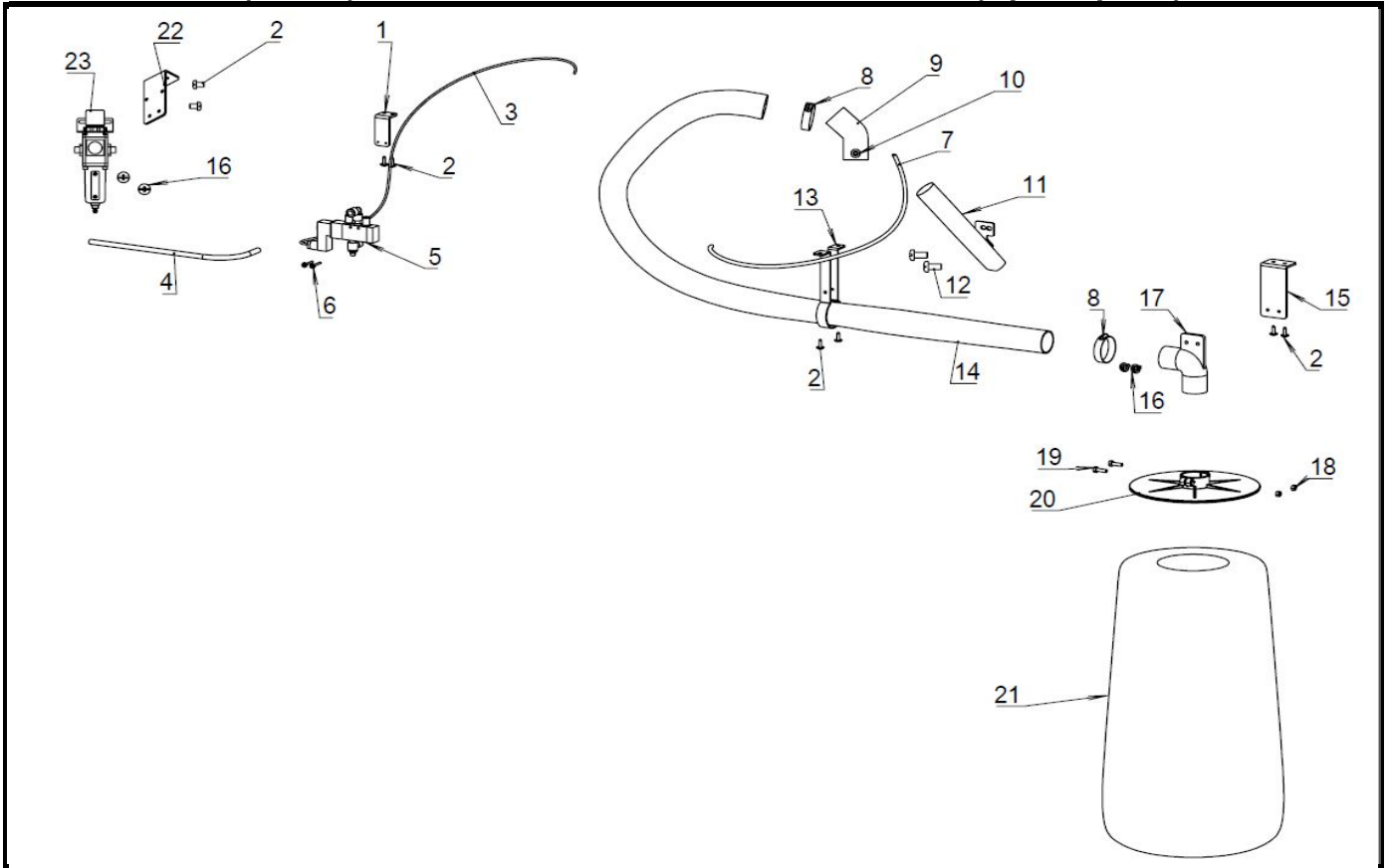
12、附件/Accessories



12、附件/Accessories

序号 Ref.No	图号 Part. No	名称/Name of parts		数量 Qty	备注 Note
		中文	English		
1	113.16-19	两用螺丝刀	Screw driver	1	
2	101.03-11	机针	Needle	5	
3	121.13-07	内六角扳手	spanner	1	
4	121.13-07-1A	盖板组件1	cover component	1	
5	121.13-07-02	盖板弹簧片2	spring laminatio	1	
6	02-508440321-1	盖板弹簧片螺钉3	screw	1	
7	101.14-08	机头罩	Macgube head cover	1	
8	101.03-37-02	梭心	Bobbin	3	
9	101.14-09	机头支柱	Macgube rest cover	1	
10	101.14-01	机头连接钩	Machine hinge plate asm.	2	
11	101.14-02	机头连接钩座钉	Nail	4	
12	101.14-03	机头连接钩座	Machine hinge plate	2	
13	101.12-20	空气干燥剂	Air drier	1	
14	121.13-15C	产品说明书及零件手册	Instruction manual&parts book	1	
15	121.13-01	活压脚组件	Presser foot asm	1	
16	101.14-10	油箱	Oil reservoir asm.	1	
17	M-02F-010	活球连杆组件	Live festival ball link asm.	1	
18	101.12-01	过线架组件	Thread stand asm.	1	
19	KS-02H	控速器组件	Treadle asm.	1	
20	21-3501932-4	十字半圆头木螺钉	Screw	7	
21	121.13-02	送料牙	feed dog	1	
22	121.05-25	上切刀	Upper cutte	1	
23	128.11-01-04	泡沫盖	Foam mat (cover)	1	
24	128.11-01-01	上泡沫	Foam mat (top)	1	
25	128.11-01-02	下泡沫	Foam mat (bottom)	1	
26	128.11-01-03	中泡沫	Foam mat (middle)	1	
27	131.10-03	外箱	Outside box	1	
28	121.01-10A	针板	needle plate component	1	3/16"
29	121.01-11A	针板	needle plate component	1	1/4"
30	103.20-50	油油壶组件	Oil tank assembly	1	
31	103.20-108	管嘴	mouthpiece	1	
32	131.10-05	导屑滑板支架	Bracket	1	
33	20-3481932-4	导屑滑板支架木螺钉	Wood screw	3	
34	313.25-04-01	漏斗槽上段	The funnel groove(up)	1	
35	05-043080900-1	垫片	Washer	4	
36	01-404001223-1	螺丝	Screw	4	
37	313.25-04-02	漏斗槽下段	The funnel groove(down)	1	
38	101.14-13	防震垫(小)	Quakeproof mat,small	2	
39	101.14-12	防震垫(大)	Quakeproof mat,larger	2	
40	131.10-16	油盘	Oil reservoir	1	
41	123.03-12	膝控连接轴	Knee control connection shaft	1	
42	101.10-05-05G	节头螺钉	Nodal screw	2	
43	123.03-15	膝控操纵杆接头	E-ring	1	
44	101.10-06-02	操纵杆	Knee pan upright shaft	1	
45	101.10-06-03	操纵杆垫	Knee pan plate rubber	1	
46	101.10-06-04	操纵板	Knee pan plate	1	
47	101.10-06-05	操纵杆节头	Knee pan plate support	1	
48	01-706001025-4	节头螺钉 M6x10	Screw	1	

13、上吸风装置(选配件)/ Inhale wind set mechanism above base(Optional parts)



序号 Ref.No	图号 Part. No	名称/Name of parts		数量 Qty	备注 Note
		中文	English		
1	121.14-08	气控电磁阀支架	Bracket	1	
2	20-4421632-3	十字槽盘头自攻螺钉	Screw	8	
3	121.14-09	电磁阀连接线	Wire	1	
4	121.14-04	PU管8×5×300	PU tube	2	
5	121.14-05	电磁阀组件(单阀)4V110-06	Electromagnetism valve	1	
6	18-403002523-3	三组合十字一字盘头螺钉	Screw	2	
7	121.14-03	PU管6×4×900	PU tube	1	
8	210.28-22	喉咕	Tie	2	
9	246.28-65	吸风孔转接管	Pipe	1	
10	01-405000823-1	十字一字槽盘头螺钉	Screw	1	
11	131.14-01	上吸风口组件	suck	1	
12	01-405001023-1	螺钉	Screw	2	
13	246.28-66	连接器支架1	Bracket	1	
14	121.14-02	螺旋软管	Tube	1	
15	246.28-06	气管连接器支撑板	Base	1	
16	18-405001422-3	十字槽盘头三件套组合螺钉	Screw	4	
17	246.28-65	吸风孔转接管	Pipe	1	
18	03-605000450-3	六角螺母	Nut	2	
19	01-405002022-3	十字槽盘头螺钉	Screw	2	
20	210.28-08	吸尘桶上盖	Cover	1	
21	210.28-10	吸尘袋	Bag	1	
22	382.07-10	气压表安装板		1	
23	210.28-21-00A	【过滤减压组件】HX6814T-03		1	
24	121.14-04	【PU管8×5×300】H8880	PU tube	1	